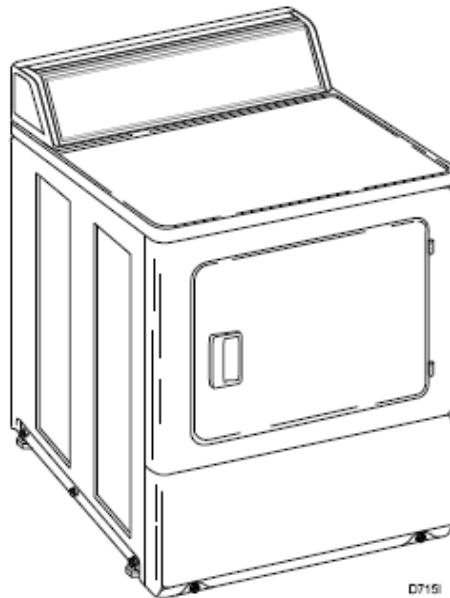


PROFESSIONAL TUMBLE DRYER

8,5 kg



D719

INSTALLATION, OPERATION

513598en
Publication date: Aug 2012



Read all instructions before using dryer.



WARNING

FOR YOUR SAFETY, the information in this manual must be followed to minimize the risk of fire or explosion or to prevent property damage, personal injury or death.

W033

- Do not store or use gasoline or other flammable vapors and liquids in the vicinity of this or any other appliance.
- **WHAT TO DO IF YOU SMELL GAS:**
 - Do not try to light any appliance.
 - Do not touch any electrical switch; do not use any phone in your building.
 - Clear the room, building or area of all occupants.
 - Immediately call your gas supplier from a neighbor's phone. Follow the gas supplier's instructions.
 - If you cannot reach your gas supplier, call the fire department.
- Installation and service must be performed by a qualified installer, service agency or the gas supplier.

W052

IMPORTANT: Purchaser must consult the local gas supplier for suggested instructions to be followed if the dryer user smells gas. The gas utility instructions plus the SAFETY and WARNING note directly above must be posted in a prominent location near the dryer for customer use.



WARNING

- Installation of unit must be performed by a qualified installer.
- Install clothes dryer according to manufacturer's instructions and local codes.
- **DO NOT** install a clothes dryer with flexible plastic venting materials. If flexible metal (foil type) duct is installed, it must be of a specific type identified by the appliance manufacturer as suitable for use with clothes dryers. Refer to section on connecting exhaust system. Flexible venting materials are known to collapse, be easily crushed, and trap lint. These conditions will obstruct clothes dryer airflow and increase the risk of fire.

W729R1

FOR YOUR SAFETY

Do not store or use gasoline or other flammable vapors and liquids in the vicinity of this or any other appliance.

W053


Table of Contents


Safety Information	3
Explanation of Safety Messages.....	3
Important Safety Instructions	3
Installation	5
Dimensions	5
Before You Start	6
Tools	6
Installing the Dryer	7
Step 1: Position and Level the Dryer	7
Step 2: Connect Dryer Exhaust System	8
Step 3: (Gas Dryer Only) Connect Gas Supply Pipe	11
Step 4: Reverse Door, if Desired	13
Step 5: Wipe Out Inside of Dryer	14
Step 6: Connect the Dryer to Electrical Power	15
Step 7: Recheck Steps 1-6.....	17
Step 8: Check Heat Source	17
Operation	19
Operation Instructions	19
Step 1: Clean Lint Filter.....	19
Step 2: Load Laundry.....	19
Step 3: Close Loading Door.....	19
Step 4: Select Temperature Setting.....	20
Step 5: Set Timer Knob.....	20
Step 6: Start Dryer	21
Step 7: Remove Laundry	21
End of Cycle Signal	21
Maintenance	22
Lubrication.....	22
Care of Your Dryer.....	22
Dryer Interior	22
Cabinet	22
Control Panel	22
Exhaust System.....	22
Lint Filter	23
Motor Overload Protector.....	23
Troubleshooting	24
Disposal of Unit	25
Contact Information	26
Installer Checklist	Back Cover


Safety Information

Explanation of Safety Messages

Throughout this manual and on machine decals, you will find precautionary statements (“DANGER,” “WARNING,” and “CAUTION”) followed by specific instructions. These precautions are intended for the personal safety of the operator, user, servicer, and those maintaining the machine.

	DANGER
Indicates an imminently hazardous situation that, if not avoided, will cause severe personal injury or death.	

	WARNING
Indicates a hazardous situation that, if not avoided, could cause severe personal injury or death.	

	CAUTION
Indicates a hazardous situation that, if not avoided, may cause minor or moderate personal injury or property damage.	


Additional precautionary statements (“IMPORTANT” and “NOTE”) are followed by specific instructions.

IMPORTANT: The word “IMPORTANT” is used to inform the reader of specific procedures where minor machine damage will occur if the procedure is not followed.

NOTE: The word “NOTE” is used to communicate installation, operation, maintenance or servicing information that is important but not hazard related.

Important Safety Instructions

Save These Instructions

	WARNING
To reduce the risk of fire, electric shock, or injury to persons when using your dryer, follow these basic precautions:	
<small>W034</small>	

1. Read all instructions before using the dryer.
2. Refer to the EARTHING INSTRUCTIONS in the INSTALLATION manual for the proper earthing of the dryer.
3. Do not dry articles that have been previously cleaned in, washed in, soaked in, or spotted with gasoline, dry-cleaning solvents, other flammable or explosive substances as they give off vapors that could ignite or explode.
4. This appliance is not intended for use by persons (including children) with reduced physical, sensory or mental capabilities, or lack of experience and knowledge, unless they have been given supervision or instruction concerning the use of the appliance by a person responsible for their safety. Children should be supervised to ensure that they do not play with the appliance.
5. Before the dryer is removed from service or discarded, remove the door to the drying compartment.
6. Do not reach into the dryer if the cylinder is revolving.
7. Do not install or store the dryer where it will be exposed to water and/or weather.
8. Do not tamper with the controls.
9. Do not repair or replace any part of the dryer, or attempt any servicing unless specifically recommended in the user-maintenance instructions or in published user-repair instructions that you understand and have the skills to carry out.
10. Do not use fabric softeners or products to eliminate static unless recommended by the manufacturer of the fabric softener or product.

Safety Information

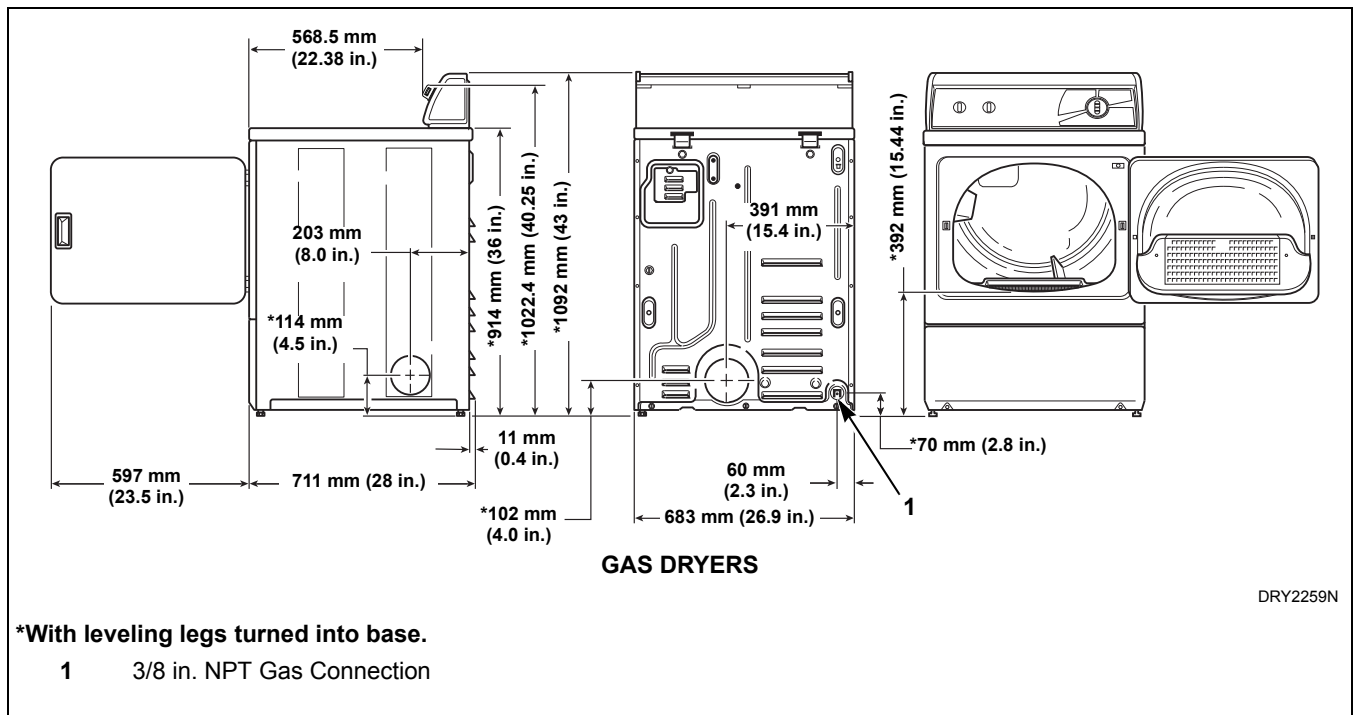
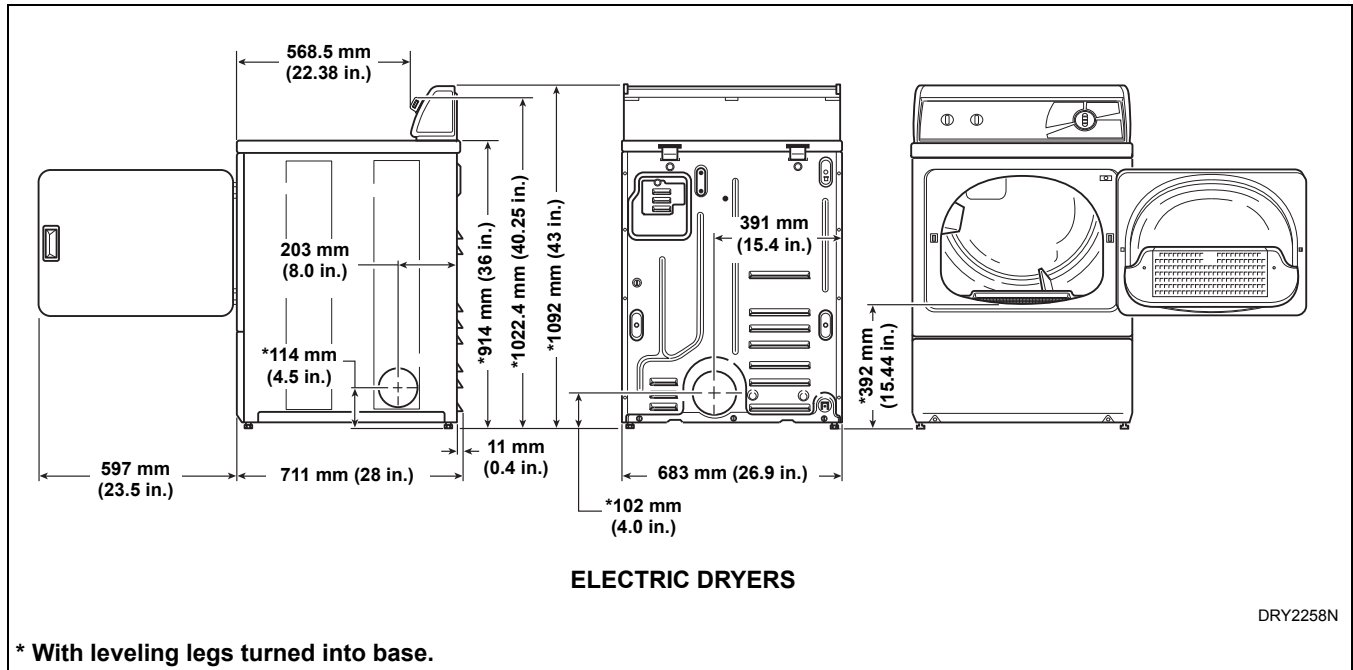
11. Items such as foam rubber (latex foam), shower caps, water proof textiles, rubber-backed articles, and clothes or pillows filled with foam rubber pads should not be dried in the tumble dryer.
12. ALWAYS clean the lint filter after every load. A layer of lint in the filter reduces drying efficiency and prolongs drying time.
13. Keep area around the exhaust opening and adjacent surrounding area free from the accumulation of lint, dust and dirt.
14. The interior of the dryer and the exhaust duct should be cleaned periodically by qualified service personnel.
15. Dryer will not operate with the loading door open. DO NOT bypass the door safety switch by permitting the dryer to operate with the door open. The dryer will stop tumbling when the door is opened. Do not use the dryer if it does not stop tumbling when the door is opened or starts tumbling without pressing the START mechanism. Remove the dryer from use and call the service person.
16. Items that have been soiled with substances such as cooking oil, acetone, alcohol, petrol, kerosene, spot removers, turpentine, waxes and wax removers, should be washed in hot water with an extra amount of detergent before being dried in the tumble dryer.
17. To reduce the risk of fire, DO NOT put clothes which have traces of any flammable substances such as machine oil, flammable chemicals, thinner, etc., or anything containing wax or chemicals such as in mops and cleaning cloths, or anything dry-cleaned at home with a dry-cleaning solvent in the dryer.
18. Use the dryer only for its intended purpose, drying clothes.
19. Always disconnect the electrical power to the dryer before attempting service. Disconnect the power cord by grasping the plug, not the cord.
20. If supply cord is damaged, it must be replaced by a special cord or assembly available from the manufacturer or its service agent.
21. Install this dryer according to the INSTALLATION INSTRUCTIONS. All connections for electrical power, earthing and gas supply must comply with local codes and be made by licensed personnel when required. Do not do it yourself unless you know how!
22. Remove laundry immediately after the dryer stops.
23. Always read and follow manufacturer's instructions on packages of laundry and cleaning aids. Heed all warnings or precautions. To reduce the risk of poisoning or chemical burns, keep them out of reach of children at all times (preferably in a locked cabinet).
24. Do not tumble fiberglass curtains and draperies unless the label says it can be done. If they are dried, wipe out the cylinder with a damp cloth to remove particles of fiberglass.
25. ALWAYS follow the fabric care instructions supplied by the garment manufacturer.
26. Never operate the dryer with any guards and/or panels removed.
27. DO NOT operate the dryer with missing or broken parts.
28. DO NOT bypass any safety devices.
29. Do not dry unwashed items in dryer.
30. Failure to install, maintain, and/or operate this machine according to the manufacturer's instructions may result in conditions which can produce bodily injury and/or property damage.

NOTE: The WARNING and IMPORTANT SAFETY INSTRUCTIONS appearing in this manual are not meant to cover all possible conditions and situations that may occur. Common sense, caution and care must be exercised when installing, maintaining, or operating the dryer.

Installation

Dimensions

The workstation average sound pressure level is 54.1 dBA.



Installation

Before You Start

Tools

For most installations, the basic tools you will need are:

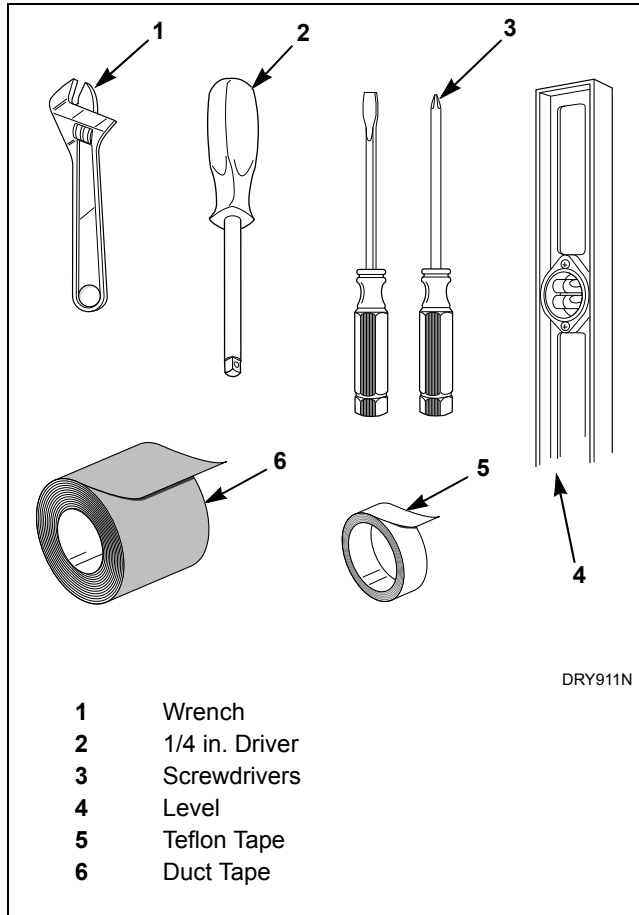


Figure 1



WARNING

Any disassembly requiring the use of tools must be performed by a suitably qualified service person.

W299

Installing the Dryer

Step 1: Position and Level the Dryer

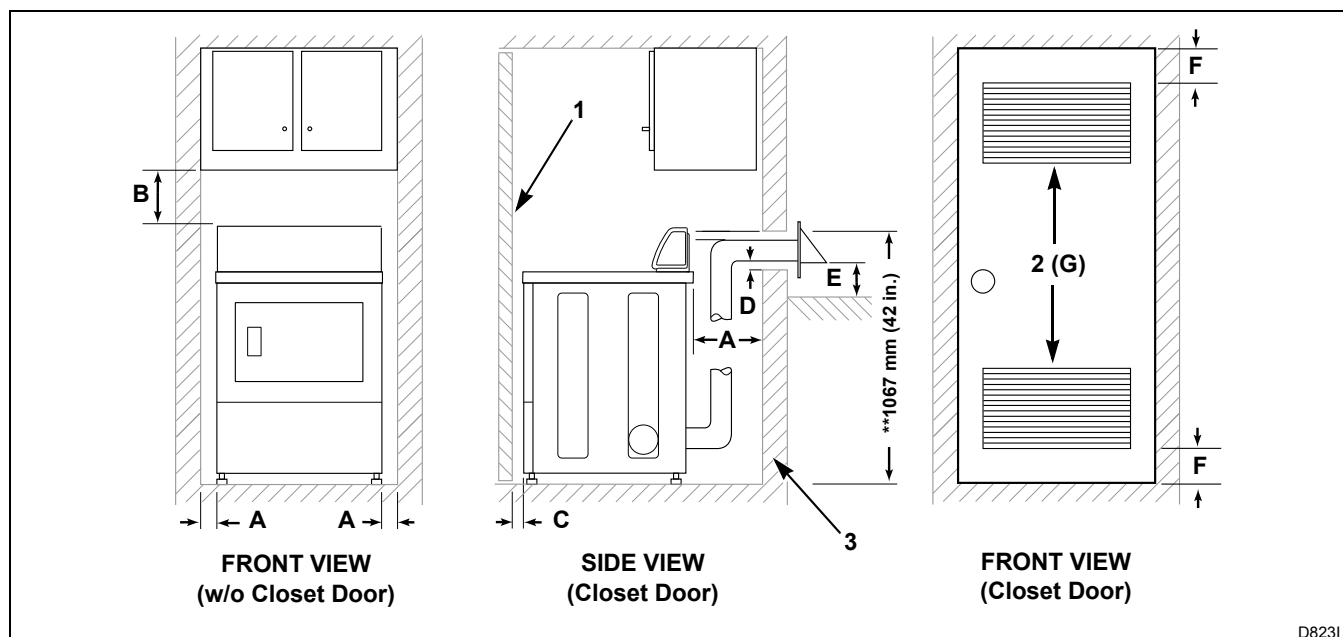
Select a location with a solid floor. Dryers installed in residential garages must be elevated 457 mm (18 inches) above the floor.

No other fuel burning appliance should be installed in the same closet with the dryer.

The dryer must not be installed or stored in an area where it will be exposed to water and/or weather.

The dryer needs sufficient clearance and an adequate air supply for proper operation and ventilation, and for easier installation and servicing. (Minimum clearances are shown in *Figure 2*.)

The dryer must not be installed behind a lockable door, a sliding door or a door with a hinge on the opposite side of the dryer.



D823I

Area	Description	Free Standing/Alcove Installation	Closet Installation
A	Dryer sides and rear clearance	0 mm (0 in.)	0 mm (0 in.)
B	Dryer top clearance	305 mm (12 in.)	305 mm (12 in.)
C	Dryer front clearance	Not Applicable	51 mm (2 in.)
D	Exhaust duct clearance to combustible material	51 mm (2 in.)	51 mm (2 in.)
E	Weather hood to ground clearance	305 mm (12 in.)	305 mm (12 in.)
F	Distance from floor or ceiling to hole edge	Not Applicable	76 mm (3 in.)
G*	Area of centered air openings in closet door	Not Applicable	2600 sq. mm (40 sq. in.) open

*Louvered door with equivalent air openings is acceptable. (Minimum clearances are shown.)

- 1 Closet Door
- 2 Centered Air Openings (G) (2 Openings minimum)
- 3 Outer Wall of Enclosure

****NOTE: For new installations, locate top of wall vent 1067 mm (42 in.) above floor to make venting easier to connect.**

Figure 2

Installation

Place the dryer in position, and adjust the legs until the dryer is level from side to side and front to back. Leveling legs can be adjusted from inside the dryer with a 1/4 in. driver. All four legs must rest firmly on the floor so the weight of the dryer is evenly distributed. The dryer must not rock.

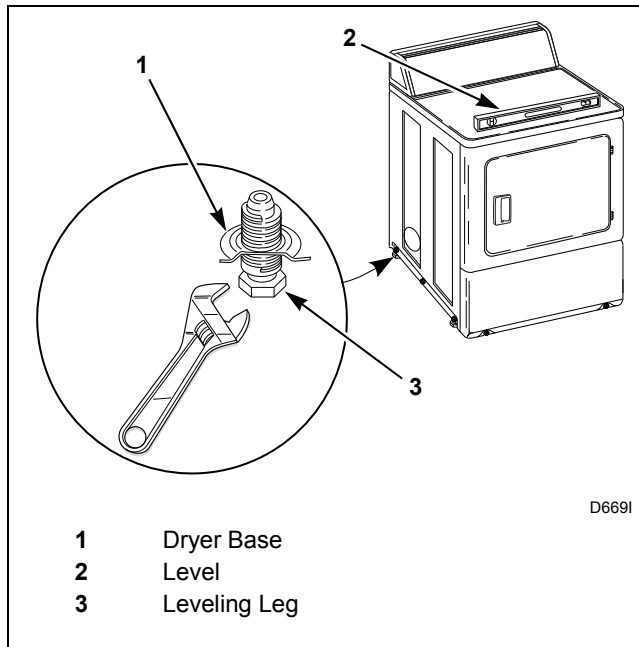


Figure 3

IMPORTANT: In mobile home installations, gas dryers must be permanently attached to the floor at the time of installation. Order No. 526P3 Dryer Installation Kit (available at extra cost) for manufactured (mobile) home installation. Follow the instructions supplied with the kit.

Step 2: Connect Dryer Exhaust System



WARNING

To reduce the risk of fire and combustion gas accumulation the dryer **MUST** be exhausted to the outdoors.

W604

To reduce the risk of fire and the accumulation of combustion gases, **DO NOT** exhaust dryer air into a window well, gas vent, chimney or enclosed, unventilated area, such as an attic, wall, ceiling, crawl space under a building or concealed space of a building.

W045




WARNING

To reduce the risk of fire, **DO NOT** use plastic or thin foil ducting to exhaust the dryer.

W354

To reduce the risk of fire, the exhaust duct and weather hood **MUST** be fabricated of a material that will not support combustion. Rigid or flexible metal pipe is recommended for a clothes dryer.

W048

	WARNING
<p>To reduce the risk of fire due to increased static pressure, we do not recommend installation of in-line secondary lint filters or lint collectors. If secondary systems are mandated, frequently clean the system to assure safe operation.</p>	
W749	

IMPORTANT: Installing in-line filters or lint collectors will cause increased static pressure. Failure to maintain the secondary lint system will decrease dryer efficiency and may void machine warranty.

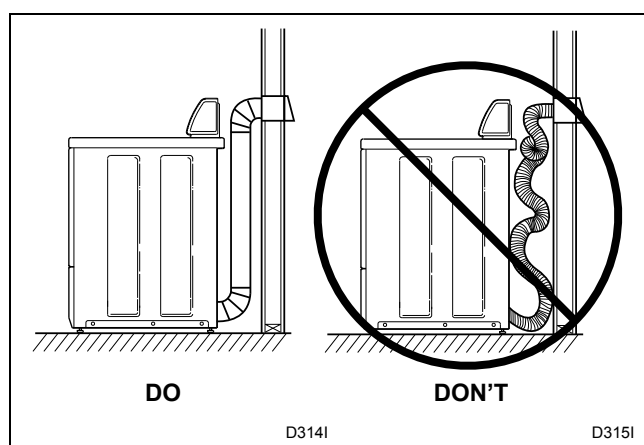


Figure 4

- Locate dryer so exhaust duct is as short as possible.
- Be certain old ducts are cleaned before installing your new dryer.
- Use 102 mm (4 inch) diameter rigid or flexible metal duct.
- The male end of each section of duct must point away from the dryer.
- Use as few elbows as possible.
- Use duct tape or pop-rivets on all duct joints. DO NOT use sheet metal screws or fasteners on exhaust pipe joints which extend into the duct and catch lint.
- Ductwork that runs through unheated areas must be insulated to help reduce condensation and lint build-up on pipe walls.
- Install backdraft dampers in multi-dryer installations.

- In mobile home installations, dryer exhaust duct must be secured to mobile home structure.
- Dryer exhaust duct **MUST NOT** terminate under mobile home.
- Dryer exhausts 180 cfm (measured at back of dryer).
- DO NOT install flexible duct in concealed spaces, such as a wall or ceiling.
- Static pressure in exhaust duct should not be greater than 10 mm (.4 in.) water column, measured with manometer placed on exhaust duct 610 mm (2 ft.) from dryer (check with dryer running and no load).
- Exhausting dryer in hard-to-reach locations can be done by installing 521P3 Flexible Metal Vent Kit (available as optional equipment at extra cost).
- Sufficient make-up air must be supplied to replace the air exhausted by the dryer. The free area of any opening for outside air must be at least 2600 mm² (40 in.²).
- Energy efficient buildings with low air infiltration rates should be equipped with an air exchanger that can accommodate on demand make-up air needs in the laundry room. These devices can be obtained through your building contractor or building material suppliers.
- Do not draw make-up air from a room containing a gas fired water heater, a dry cleaner or a hair salon.
- **Failure to exhaust dryer properly will void warranty.**

NOTE: Venting materials are not supplied with the dryer (obtain locally).

IMPORTANT: DO NOT block the airflow at the bottom of the dryer's front panel with laundry, rugs, etc. Blockage will decrease airflow through the dryer, thus reducing the efficiency of the dryer.

Installation

Exhaust Direction

The dryer can be exhausted to the outdoors through the back, left, right or bottom of the dryer. **EXCEPTION: Gas dryers cannot be vented out the left side because of the burner housing.**

Dryer is shipped from factory ready for rear exhaust.

Exhausting the dryer through sides or bottom can be accomplished by installing a Directional Exhaust Kit, 528P3, available as optional equipment at extra cost.

Exhaust System

For best drying results, recommended maximum length of exhaust system is shown in *Table 1*.

To prevent backdraft when dryer is not in operation, outer end of exhaust pipe must have a weather hood with hinged dampers (obtain locally).

NOTE: Weather hood should be installed at least 305 mm (12 inches) above the ground. Larger clearances may be necessary for installations where heavy snowfall can occur.

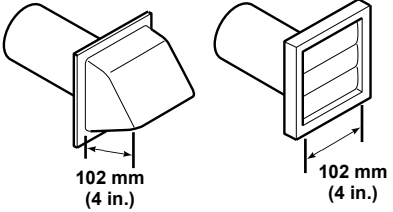
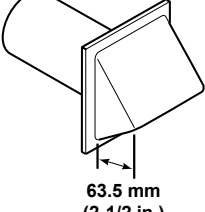
Number of 90° Elbows	Weather Hood Type	
	Recommended	Use Only for Short Run installations
	 <p>102 mm (4 in.)</p> <p>102 mm (4 in.)</p> <p>D673I</p>	 <p>63.5 mm (2-1/2 in.)</p> <p>D802I</p>
Maximum length of 102 mm (4 in.) diameter rigid metal duct.		
0	19.8 m (65 feet)	16.8 m (55 feet)
1	16.8 m (55 feet)	14.3 m (47 feet)
2	14.3 m (47 feet)	12.5 m (41 feet)
3	11.0 m (36 feet)	9.1 m (30 feet)
4	8.5 m (28 feet)	6.7 m (22 feet)
NOTE: Deduct 1.8 m (6 feet) for each additional elbow.		

Table 1

NOTE: The maximum length of a 102 mm (4 in.) diameter flexible metal duct must not exceed 2.4 m (7.87 ft.).


Step 3: (Gas Dryer Only) Connect Gas Supply Pipe

(6.2 kW)

Gas Rate = 0.55 m³/hr.

NOTE: This appliance must be installed in accordance with regulations in force.

NOTE: This machine is supplied from the factory for operation on Natural Gas [2nd Family, Group H(E)] at nominal inlet pressure of 20 mbar for use in the countries of GB/IE/PT/ES/IT. For installation in other EU Countries, and/or for conversion to L.P. (Liquefied Petroleum) gas, consult the distributor.

	WARNING
<p>To reduce the risk of gas leaks, fire or explosion:</p> <ul style="list-style-type: none"> • The dryer must be connected to the type of gas as shown on nameplate located in the door recess. • Use a new flexible stainless steel connector. • Use pipe joint compound insoluble in L.P. (Liquefied Petroleum) Gas, or Teflon tape, on all pipe threads. • Purge air and sediment from gas supply line before connecting it to the dryer. Before tightening the connection, purge remaining air from gas line to dryer until odor of gas is detected. This step is required to prevent gas valve contamination. • Do not use an open flame to check for gas leaks. Use a non-corrosive leak detection fluid. • Any disassembly requiring the use of tools must be performed by a suitably qualified service person. 	
W316	

These instructions are only valid if the following country code is on the appliance - GB/IE/PT/ES/IT/BE. If this code is not present on the appliance, it is necessary to refer to the technical instructions which will provide the necessary information concerning the modification of the appliance to the condition of use for the country.

Before installation, check that the local distribution conditions, nature of gas and pressure, and the adjustment of the appliance are compatible.

1. Make certain your dryer is equipped for use with the type of gas in your laundry room. Dryer is equipped at the factory for **Natural Gas** with a 3/8 inch NPT gas connection.

NOTE: The gas service to a gas dryer must conform with the local codes and ordinances.

Natural Gas, 37.3 MJ/m³ (1000 Btu/ft³) service must be supplied at minimum 5.0 inch water column pressure to maximum 10.5 inch water column pressure.

For proper operation at altitudes above 915 m (3000 feet) the natural gas valve spud orifice size must be reduced to ensure complete combustion. Refer to *Table 2*.

Natural Gas Altitude Adjustments					
Altitude		Orifice Size			Part Number
m	feet	#	mm	inches	
915	3000	43	2.26	0.0890	503778
1830	6000	44	2.18	0.0860	58719
2440	8000	45	2.08	0.0820	503779
2740	9000	46	2.06	0.0810	503780
3050	10,000	47	1.99	0.0785	503781

Table 2

2. Remove the shipping cap from the gas connection at the rear of the dryer. Make sure you do not damage the pipe threads when removing the cap.
3. Connect to gas supply pipe.

Installation

NOTE: When connecting to a gas line, an equipment shut-off valve must be installed within 1.8 m (6 feet) of the dryer. An 1/8 in. NPT pipe plug must be installed as shown for checking inlet pressure. Refer to *Figure 5*.

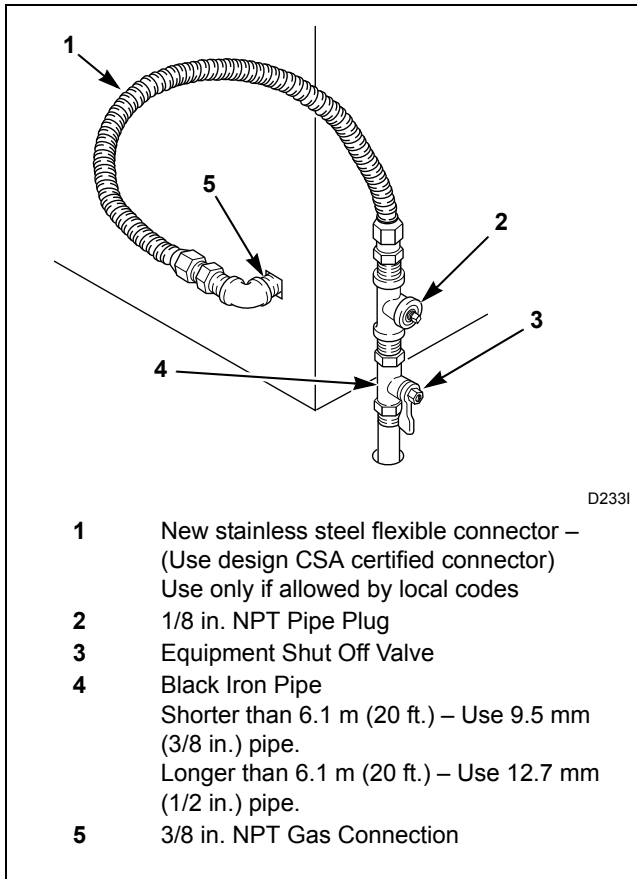


Figure 5

4. Tighten all connections securely. Turn on gas and check all pipe connections (internal & external) for gas leaks with a non-corrosive leak detection fluid.

NOTE: The dryer and its appliance main gas valve must be disconnected from the gas supply piping system during any pressure testing of that system at test pressures in excess of 50 mbar. Refer to *Step 8 (Check Heat Source)*.

L.P. (Liquefied Petroleum) Gas, 93.1 MJ/m³ (2500 Btu/ft³) service must be supplied at 10 ± 1.5 inch water column pressure.

For proper operation at altitudes above 1370 m (4500 feet) the L.P. gas valve spud orifice size must be reduced to ensure complete combustion. Refer to *Table 3*.

L.P. Altitude Adjustments					
Altitude		Orifice Size			Part No.
m	feet	No.	mm	inches	
1370	4500	56	1.2	0.0465	503786
3000	9500	57	1.1	0.043	60941

Table 3

NOTE: DO NOT connect the dryer to L.P. gas without consulting the distributor and/or without performing the proper conversion according to the conversion instructions (Conversion Kit 599P3).

Step 4: Reverse Door, if Desired

1. Remove four hinge attaching screws.

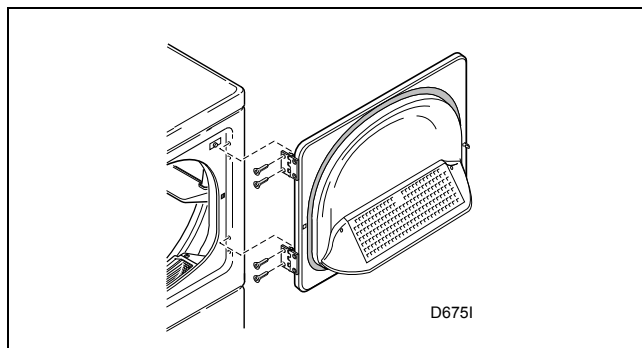


Figure 6

2. Remove all nine screws.

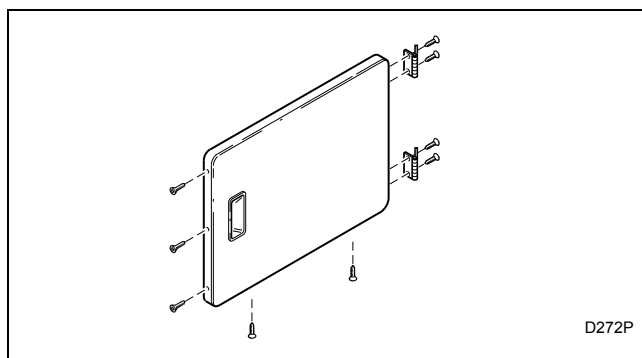


Figure 7

3. Pull bottom of door liner out, then pull down, removing door liner from door panel.

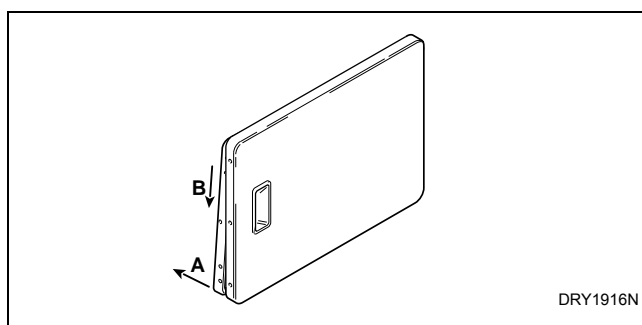


Figure 8

4. Rotate door panel 180 degrees as shown.

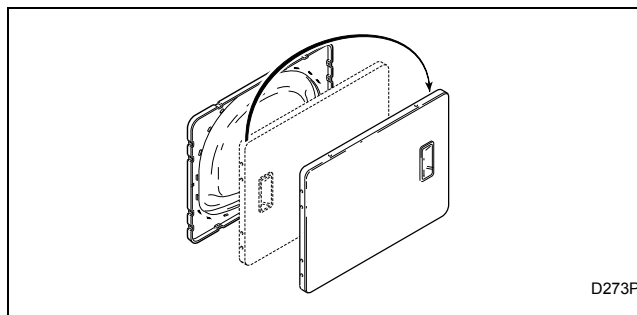


Figure 9

5. Remove door strike from door liner and reinstall on opposite side.

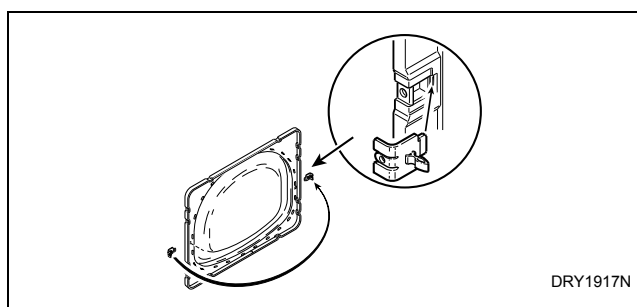


Figure 10

6. Insert liner under flange on bottom of door, then push top of door liner into place.

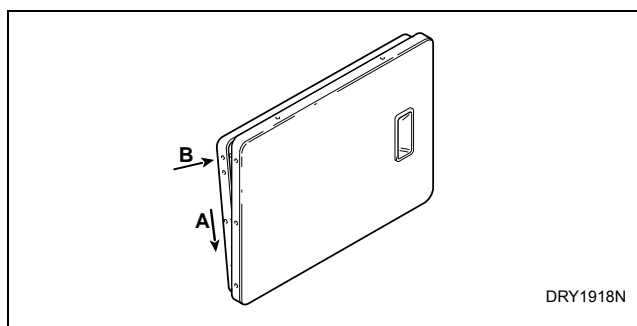


Figure 11

7. Reinstall nine screws removed in Step 2.

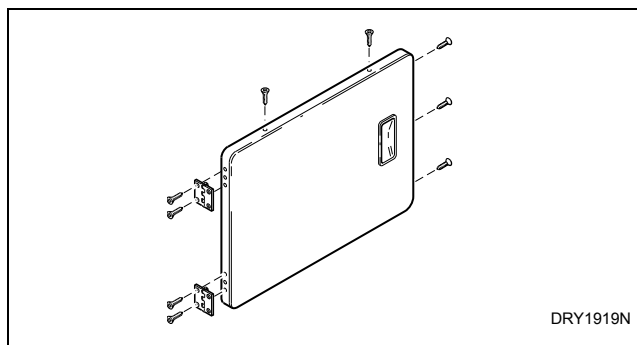


Figure 12

Installation

- Using screwdriver, remove two door plugs, and reinstall on opposite side of door opening.

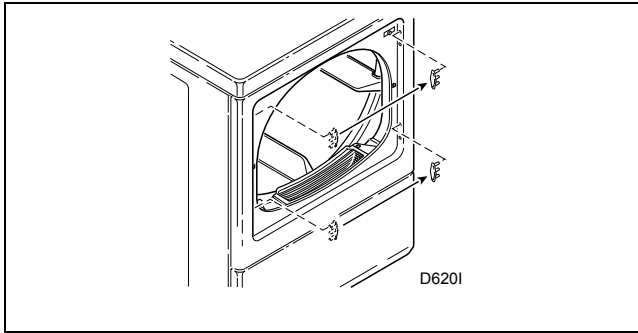


Figure 13

- Reinstall four hinge attaching screws, removed in Step 1.

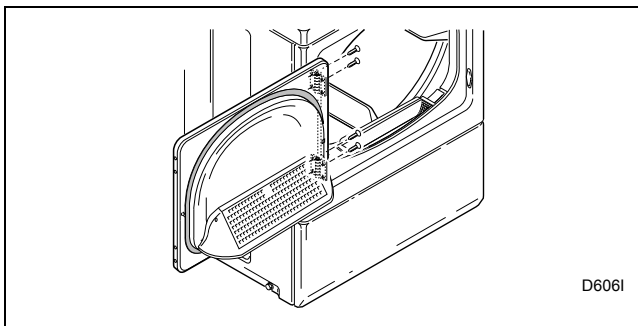


Figure 14

Step 5: Wipe Out Inside of Dryer

IMPORTANT: Before using dryer for the first time, use an all-purpose cleaner, or a detergent and water solution, and a damp cloth to remove shipping dust from inside dryer drum.

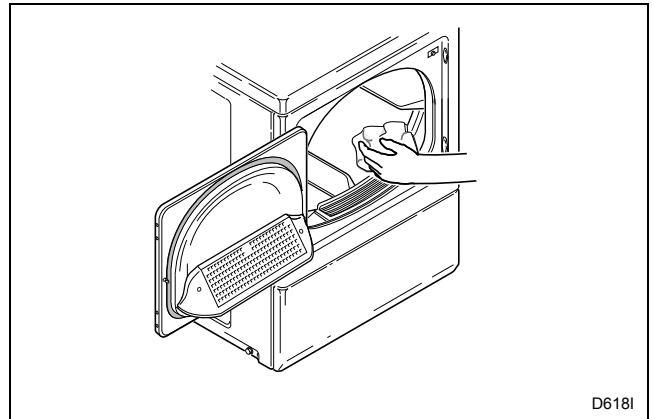


Figure 15

Step 6: Connect the Dryer to Electrical Power

Electric Dryers

Refer to serial plate for requirements.

IMPORTANT: Have a qualified electrician install appropriate electrical receptacle.

SINGLE-PHASE MODELS

(230 Volt, 50 Hertz, 2 Wire Plus Earth, 30 Amp Installation)

THREE-PHASE MODELS

(400/230 Volt, 50 Hertz, 4 Wire Plus Earth, 10 Amp Installation)

NOTE: Refer to Kit 756P3 for WYE (400/230 Volt, 50 Hertz, 4 wire plus Earth, 10 AMP) to Delta (230 Volt, 50 Hertz, 3 wire plus Earth, 15 AMP) conversion instructions.

NOTE: The wiring diagram is located inside the control hood.

To attach customer-supplied three-phase power cord (400 Volt WYE):

1. Remove electrical access panel on rear of machine.
2. Attach power cord wires as shown in *Figure 16*.
3. Attach strain relief, supplied with machine, to power cord in accordance with all local codes and ordinances.
4. Reinstall access panel.

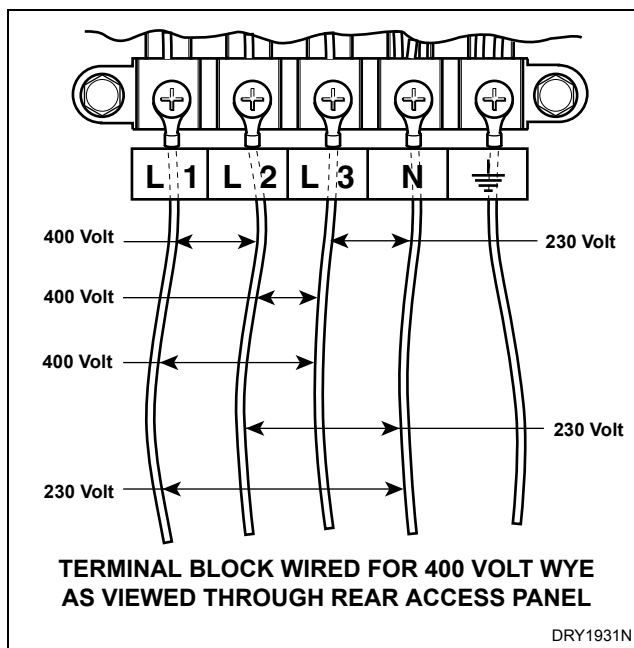


Figure 16

	WARNING
<p>To reduce the risk of fire, electric shock, severe personal injury or death, all wiring and earthing MUST abide with local electrical codes. It is the customer's responsibility to have the wiring and fuses checked by a qualified electrician to make sure the laundry room has adequate electrical power to operate the dryer.</p>	
W458	

Grounding and Wiring Instructions

- The dryer must be connected to an earthed metal, permanent wiring system; or an equipment-earthing conductor must be run with the circuit conductors and connected to the equipment-earthing terminal or lead on the dryer.
- Refer to dryer serial plate for electrical requirements. Circuit must be fused and wired to handle requirements. The dryer has its own terminal block that must be connected to a separate branch, 230 Volt, 50 Hertz, single-phase circuit, or 400/230 Volt, 50 Hertz, 3 phase circuit, fused and wired to handle requirements on serial plate.

Installation

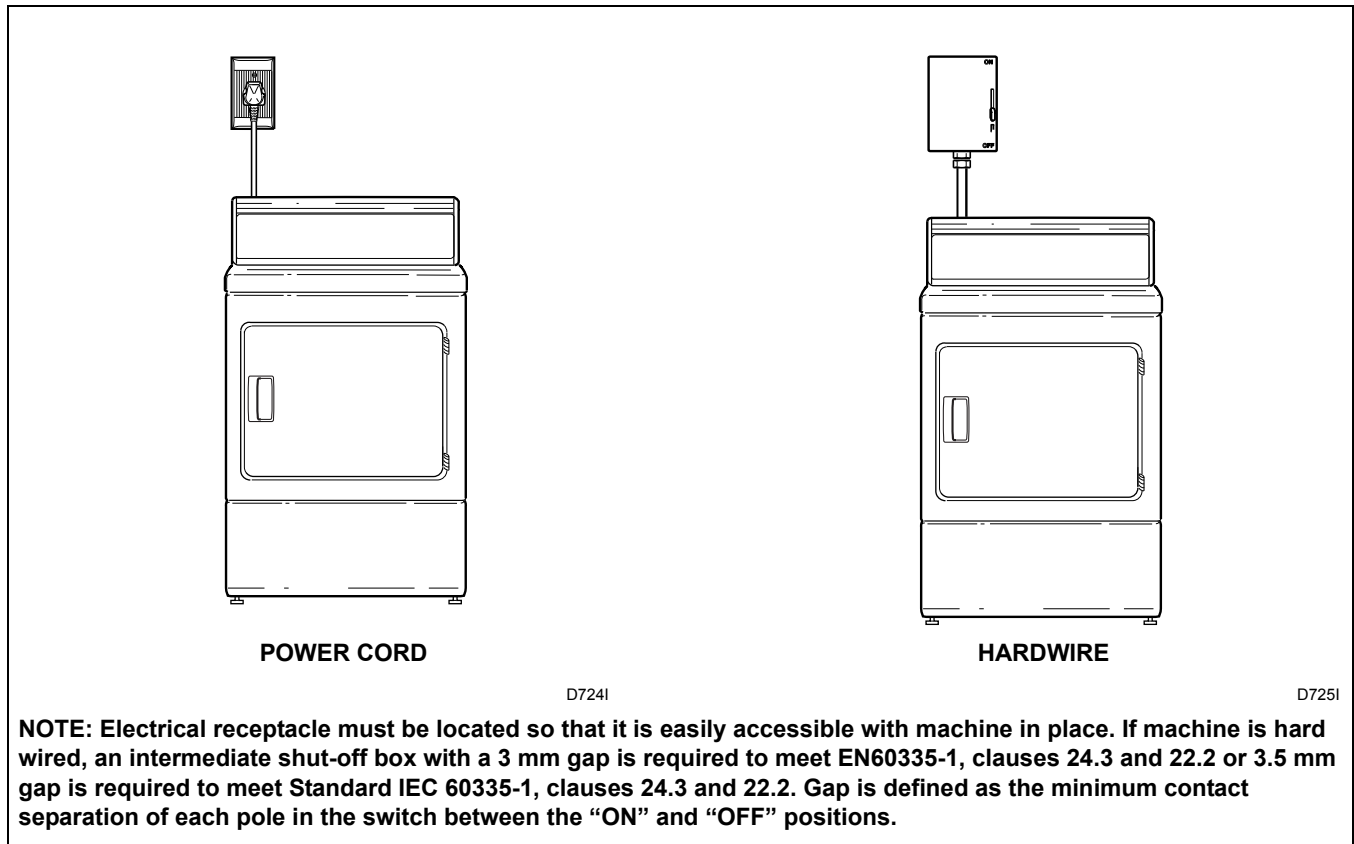


Figure 17

Gas Dryers

(230 Volt, 50 Hertz, 2 Wire Plus Earth, 10 Amp Installation)

NOTE: The wiring diagram is located inside the control hood.

	WARNING
<p>To reduce the risk of fire, electric shock, severe personal injury or death, the electrical service to a gas dryer must abide with local electrical codes. The gas service to a gas dryer must conform with the local codes and ordinances.</p>	
W780	

The dryer is designed to be operated on a two-wire plus earth, 230 Volt, 50 Hertz, single-phase supply circuit fused at amperage found on serial plate.

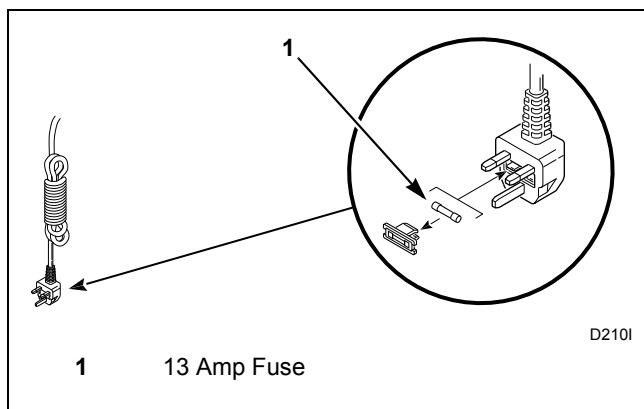
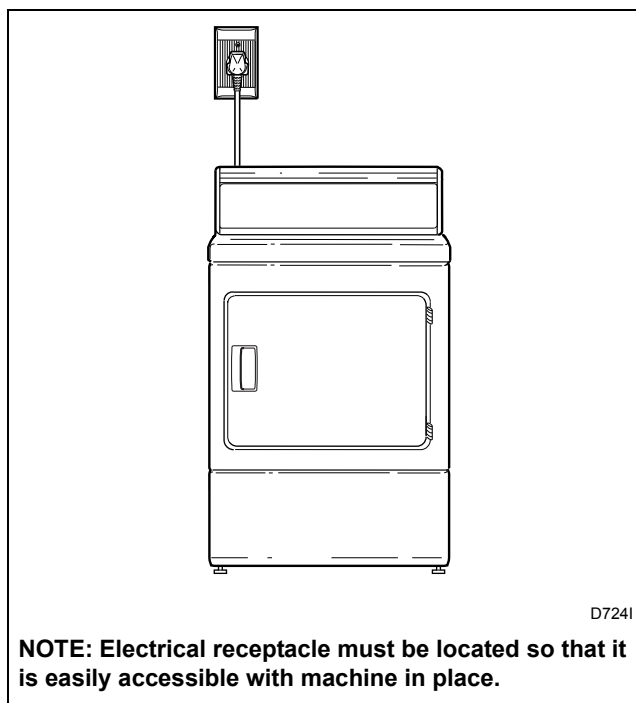


Figure 18



NOTE: Electrical receptacle must be located so that it is easily accessible with machine in place.

Figure 19

Earthing Instructions

The dryer must be earthed. In the event of malfunction or breakdown, earthing will reduce the risk of electric shock by providing a path of least resistance for electric current. The dryer is equipped with a cord having an equipment-earthing conductor. The plug must be plugged into an appropriate outlet that is properly installed and earthed in accordance with local codes and ordinances.

Do not modify the plug provided with the dryer – if it will not fit the outlet, have a proper outlet installed by a qualified electrician.

Step 7: Recheck Steps 1-6

Refer to *Installer Checklist* on the back cover of this manual and make sure that dryer is installed correctly.

Step 8: Check Heat Source

Electric Dryers

Close the loading door and start the dryer in a heat setting (refer to *Operation* section). After the dryer has operated for three minutes, the exhaust air or exhaust pipe should be warm.

Installation

Gas Dryers

IMPORTANT: This operation is to be conducted by qualified personnel only.

To view the burner flame, remove the lower front panel of the dryer.


Close the loading door and start the dryer in a heat setting (refer to *Operation* section). The dryer will start, the igniter will glow red and the main burner will ignite.

IMPORTANT: If all air is not purged out of gas line, gas igniter may go off before gas is ignited. If this happens, after approximately two minutes igniter will again attempt gas ignition.

IMPORTANT: If burner does not light, make sure gas is turned on.

After the dryer has operated for approximately five minutes, observe burner flame through lower front panel. Adjust the air shutter to obtain a soft, uniform blue flame. (A lazy, yellow-tipped flame indicates lack of air. A harsh, roaring, very blue flame indicates too much air.) Adjust the air shutter as follows (refer to *Figure 20*):

1. Loosen the air shutter lockscrew.
2. Turn the air shutter to the left to get a luminous yellow-tipped flame, then turn it back slowly to the right to obtain a steady, soft blue flame.
3. After the air shutter is adjusted for proper flame, tighten the air shutter lockscrew securely.
4. Reinstall the lower front panel.

	WARNING
To reduce the risk of serious injury or death, the lower front panel must be in place during normal operation.	
<small>W158</small>	

After the dryer has operated for approximately three minutes, exhaust air or exhaust pipe should be warm.

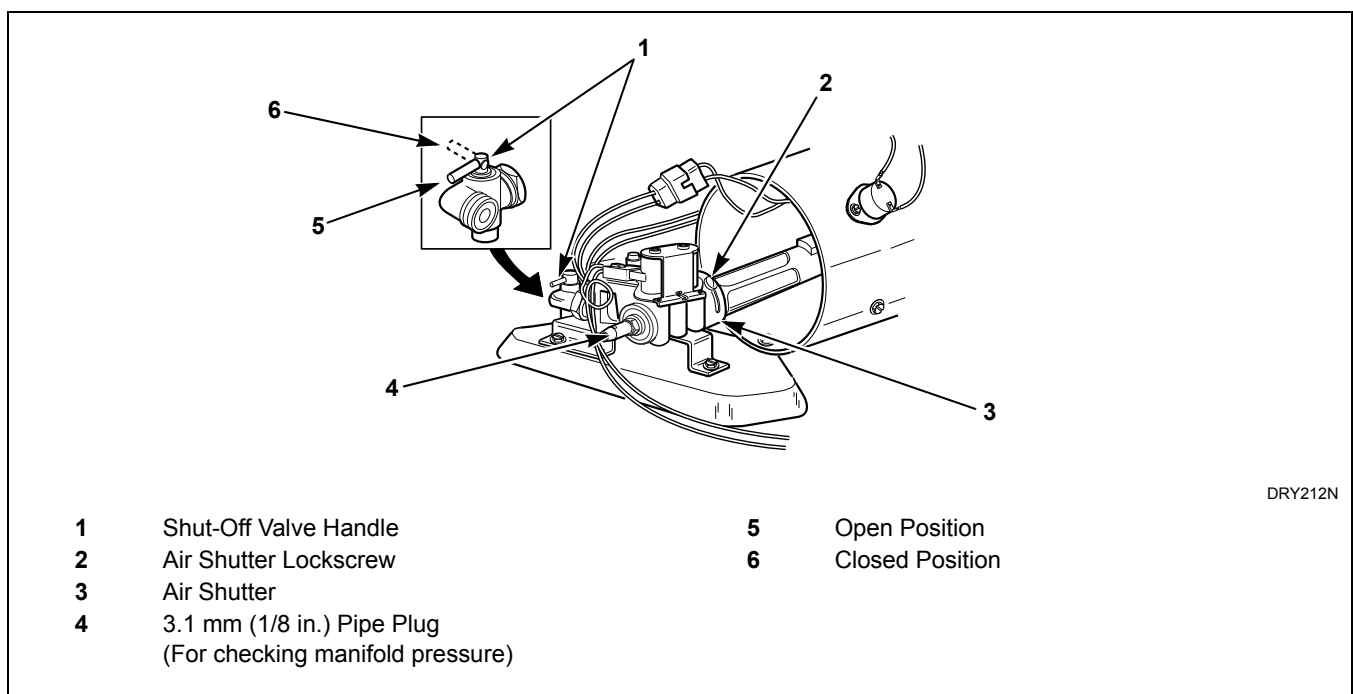


Figure 20

Operation

Operation Instructions

Step 1: Clean Lint Filter

Clean lint filter before each use.

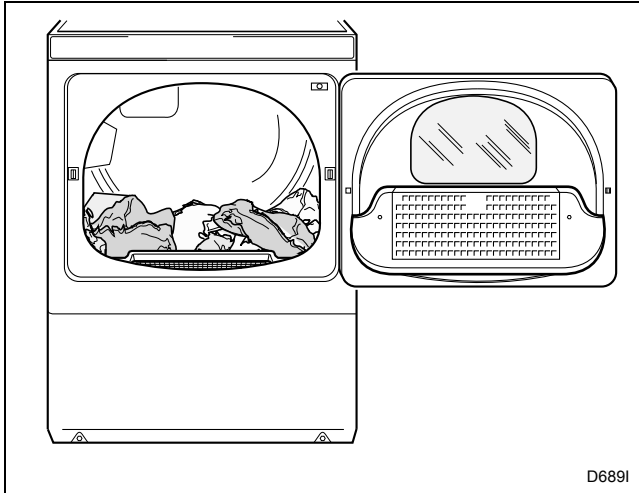



Figure 21

	WARNING
To reduce the risk of fire and risk of lint collecting in exhaust duct, do not operate dryer without lint filter in place.	
W771	

Step 2: Load Laundry

Load dryer half full with laundry (7.8 kg maximum dry clothes load).

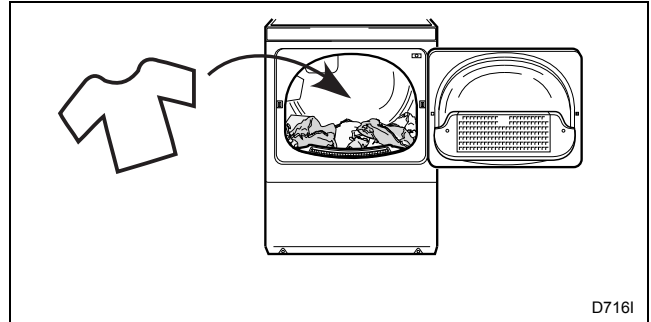


Figure 22

Step 3: Close Loading Door

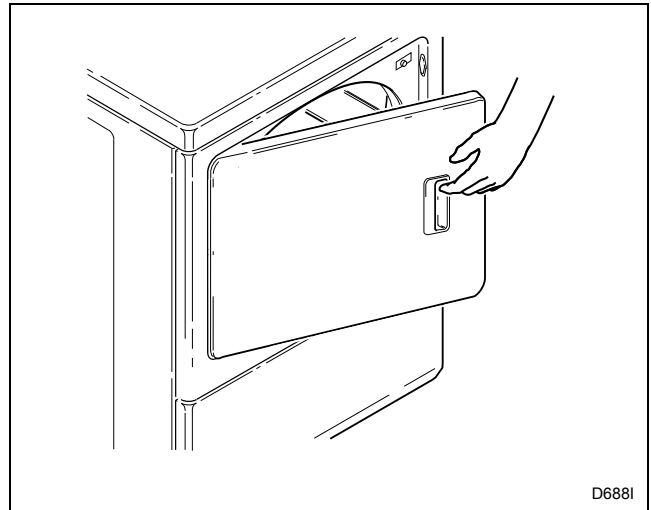





Figure 23

Operation

Step 4: Select Temperature Setting

 DRY472N	No Heat
 DRY473N	Medium Temperature/Delicates
 DRY474N	High Temperature/Regular – Permanent Press

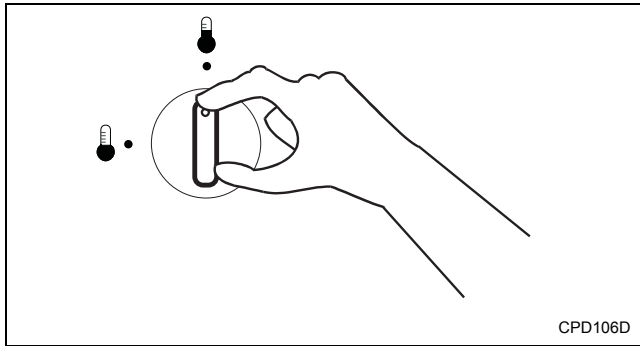






Figure 24

Step 5: Set Timer Knob

Select Fabric/Temperature setting.

 DRY477N	Permanent Press
 DRY481N	Normal
 DRY484N	Delicates
 DRY485N	Time Dry

NOTE: Always follow manufacturer's care label instructions.

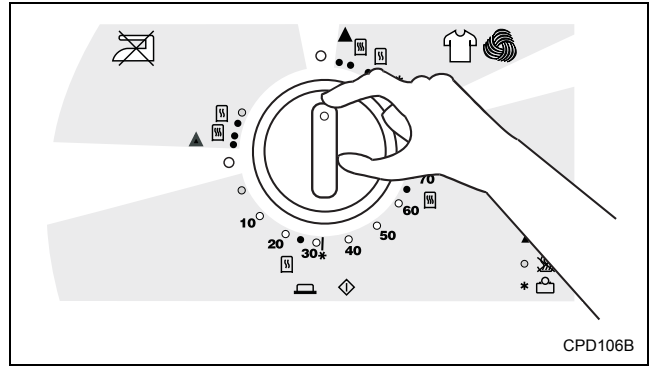




Figure 25

The Heat period begins at the start of each cycle.



The No Heat period at the end of each cycle provides items a chance to tumble with no heat and cool down to room temperature.

 DRY478N	Heat
 DRY479N	No Heat


NOTE: Use the Permanent Press or Delicates cycle for drying items that can be dried with heat. These cycles automatically dry loads to the dryness level selected.

Less Dry will dry large loads and lightweight items, but might leave heavy items more damp.

More Dry will dry very small loads and some heavy items, but will overdry lightweight items.

 DRY482N	Less Dry
 DRY483N	More Dry

NOTE: The Energy Saver settings, marked with an asterisk (*), show which settings will use the least energy.

 DRY480N	Energy Saver
--	--------------

Should dryer stop before cycle is completed, the motor overload protector may have cycled. Refer to page 23.

Step 6: Start Dryer

Press timer knob to start dryer.

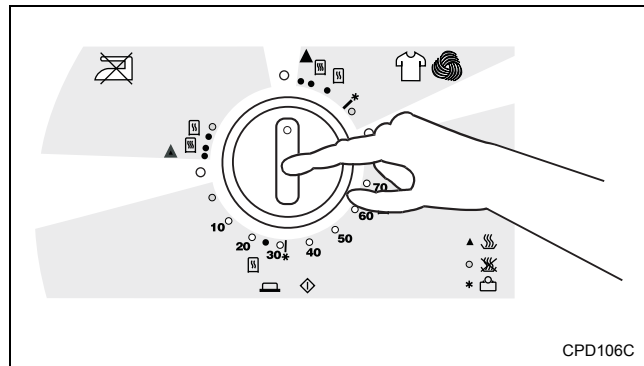


Figure 26

Step 7: Remove Laundry

Remove laundry immediately after dryer stops at end of cycle.

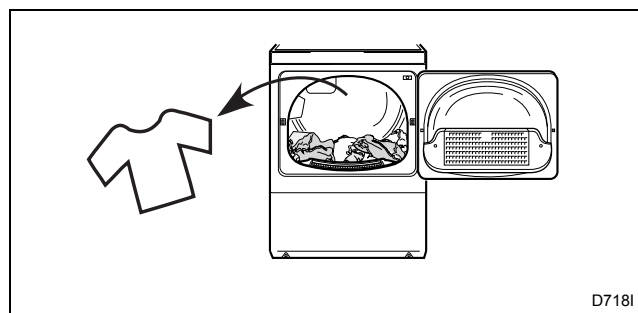
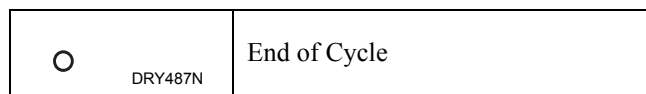


Figure 27

	<h2 style="text-align: center;">WARNING</h2>
<p style="text-align: center;">To prevent the risk of fire, remove laundry immediately in case of power failure.</p>	
<p style="text-align: right;">W779</p>	

End of Cycle Signal

The volume of the signal tone may be set on Off, High or between the two selections. If a volume level is selected, the signal will let you know when the cycle is done.


<p>DRY475N</p>	<p>Sound level</p>
<p>DRY476N</p>	<p>Sound Range (Low to High)</p>

Maintenance

Lubrication

All moving parts are sealed in a permanent supply of lubricant or are equipped with oilless bearings. Additional lubrication will not be necessary.

Care of Your Dryer

	WARNING
To reduce the risk of an electric shock, serious injury or death, disconnect the electrical service to the dryer before cleaning the interior.	
W132	

Dryer Interior

Wipe the surfaces using a soft cloth and household cleaner or a non-abrasive paste of powdered laundry detergent and hot water, followed by a short heat cycle with a load of rags.

To remove crayon or ball point ink off the dryer drum, put the heat on high and use old rags in the dryer to absorb the crayon or ink. If unsuccessful, contact the appliance dealer. **DO NOT** use any chemicals in the dryer.

IMPORTANT: The use of chlorine bleach for removing any discolorations should be avoided because bleach could damage the finish.


Cabinet

Wipe the dryer cabinet as needed. If detergent, bleach or other washing products have been spilled on the dryer, wipe immediately. Some products will cause permanent damage if spilled on the cabinet.


Control Panel

Use only a damp or sudsy cloth for cleaning the control panel. Some spray pretreat products may harm the finish on the control panel.

NOTE: The wiring diagram is located inside the control panel.

	CAUTION
Label all wires prior to disconnection when servicing controls. Wiring errors can cause improper and dangerous operation.	
W049	

Exhaust System

	WARNING
To reduce the risk of electric shock, disconnect the electrical service to the dryer before cleaning.	
W043	

The exhaust duct should be inspected after one year of use and cleaned if necessary by a qualified service person to remove any lint build-up. Inspect and clean exhaust duct every one to two years as required thereafter.

The weather hood should be checked frequently to make sure the dampers move freely, dampers are not pushed in and that nothing has been set against them.

Keep dryer area clear and free from combustible materials, gasoline and other flammable vapors and liquids.

Do not obstruct the flow of combustion and ventilation air.

NOTE: Verify proper operation after servicing.

Lint Filter

CLEAN THE LINT FILTER BEFORE DRYING EACH LOAD. (Refer to *Figure 28* for lint filter location.) Cleaning the lint filter is important because a layer or pad of lint on the filter will block the flow of air through the dryer, thus reducing the efficiency of the dryer. The clothes will take longer to dry and energy will be wasted.

The lint filter may be washed if needed. Annually remove lint filter and screw to vacuum the duct under it.

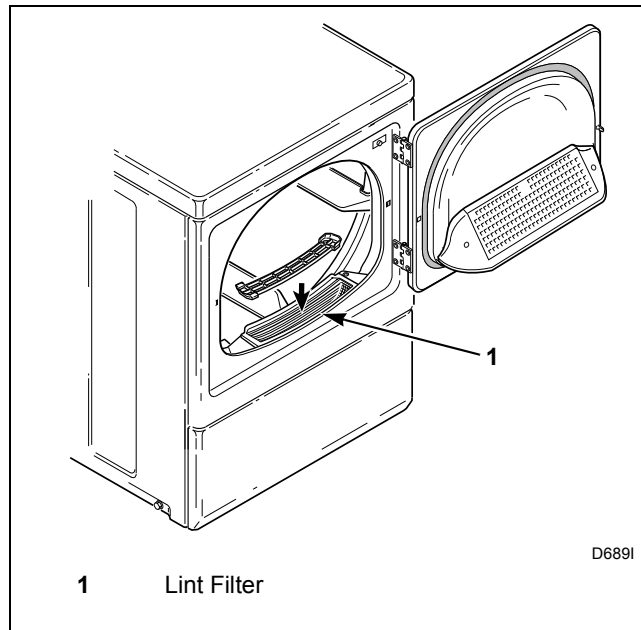


Figure 28

Motor Overload Protector

The dryer's motor overload protector stops the motor automatically in the event of an overload. After cooling, the overload protector will reset itself. Dryer can be restarted by pressing the timer knob. If overload protector cycles again, remove the dryer from use and call the service person to correct the problem.

Troubleshooting

Try these troubleshooting tips before making a service call – You may save time and money!

Dryer Symptom	Possible Cause/Solution
Dryer won't start	<ul style="list-style-type: none"> • For dryers equipped with a power cord, make sure the power cord is plugged all the way into the electrical outlet. • Make sure loading door is closed. • Press timer knob in to start dryer. • Make sure the laundry room fuse(s) isn't blown or loose, or circuit breakers aren't open. The dryer itself does not have an electrical fuse. An electric dryer has an electrical circuit with two fuses. • Check if motor overload protector has cycled. Wait 10 minutes and try again. • Has the fuse in the gas dryer blown? Refer to Step 6 of <i>Installation</i> section.
Dryer won't heat	<ul style="list-style-type: none"> • Make sure the laundry room fuse(s) isn't blown or loose, or circuit breakers aren't open. The dryer itself does not have an electrical fuse. An electric dryer has an electrical circuit with two fuses. • Make sure controls are in a HEAT setting. • Gas dryer only – Make sure equipment and main gas line valve is turned on. • Check exhaust duct to outside to see if it is kinked, blocked or needs cleaning. • Check weather hood to make sure flapper moves freely, has not been pushed in or has not been blocked.
Dryer doesn't dry clothes satisfactorily	<ul style="list-style-type: none"> • Check exhaust duct to outside to see if it is kinked, blocked or needs cleaning. • Check weather hood to make sure flapper moves freely, has not been pushed in or has not been blocked. • Clean the lint filter. • Make sure the load isn't too small. Small loads may not tumble properly or dry evenly. • Automatic Cycle – Adjust to More Dry or Less Dry setting. • Timed Cycle – Allow more or less time. • Check load being dried. Heavy items dried with lightweight items will not dry as quickly as the rest of the load.
Dryer is noisy	<ul style="list-style-type: none"> • Check dryer for foreign objects (nails, coins, bobby pins, metal, plastic toys, etc.). Remove items from dryer. • Make sure dryer is level. Uneven leveling can cause vibration. • Normal operating sounds include the tick of timer advancing, heat source going on and off, and humming of air moving through the dryer and exhaust system.
Clothes are too wrinkled	<ul style="list-style-type: none"> • Check heat setting. Overdrying can cause wrinkling. • Check load size. Large loads may not tumble properly and may cause wrinkling.
Clothes have odor	<ul style="list-style-type: none"> • Check room for odors before drying clothes. Any odor (fried foods, paint, varnish, cleaners, burning wood, etc.) will transfer to clothing as the dryer draws air from the room. Ventilate room before drying clothes.

Disposal of Unit

This appliance is marked according to the European directive 2002/96/EC on Waste Electrical and Electronic Equipment (WEEE).

This symbol on the product or on its packaging indicates that this product shall not be treated as household waste. Refer to *Figure 29*. Instead it shall be handed over to the applicable collection point for the recycling of electrical and electronic equipment. Ensuring this product is disposed of correctly will help prevent potential negative consequences for the environment and human health which could otherwise be caused by inappropriate waste handling of this product. The recycling of materials will help to conserve natural resources. For more detailed information about recycling of this product, please contact the local city office, household waste disposal service, or the source from which the product was purchased.

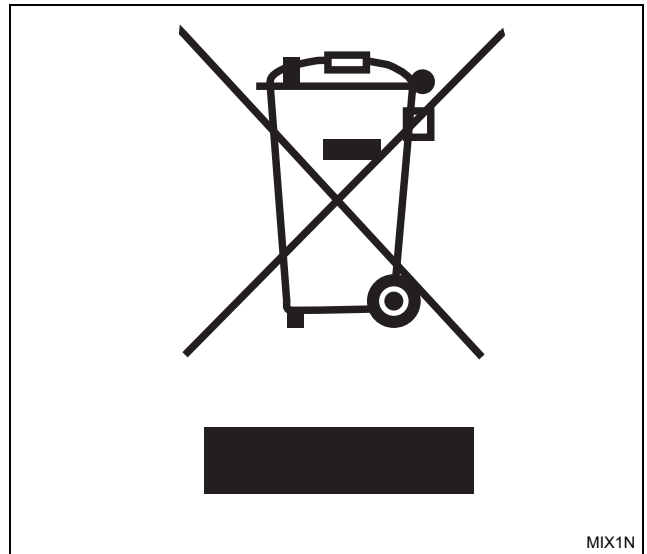


Figure 29

Contact Information

If service is required, contact the nearest Factory Authorized Service Center.

If you are unable to locate an authorized service center or are unsatisfied with the service performed on your dryer, contact the source from where you purchased your dryer.

Date Purchased _____

Model Number _____

Serial Number _____

When calling or writing about your dryer, **PLEASE GIVE THE MODEL AND SERIAL NUMBERS.** The model and serial numbers are located on the nameplate. The nameplate will be in the location shown in the illustration below. Please include a copy of your bill of sale and any service receipts you have.

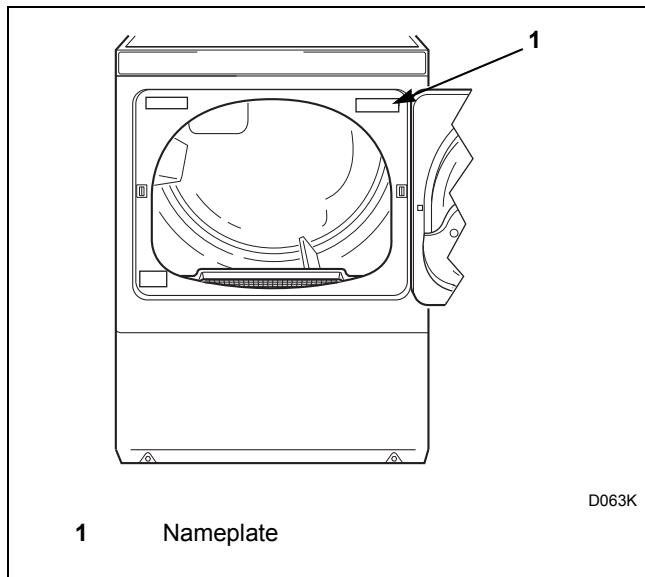


Figure 30

	WARNING
<p>To reduce the risk of serious injury or death, DO NOT repair or replace any part of the dryer or attempt any servicing unless specifically recommended in the user-maintenance instructions or in published user-repair instructions that you understand and have the skills to carry out.</p>	
<small>W133</small>	

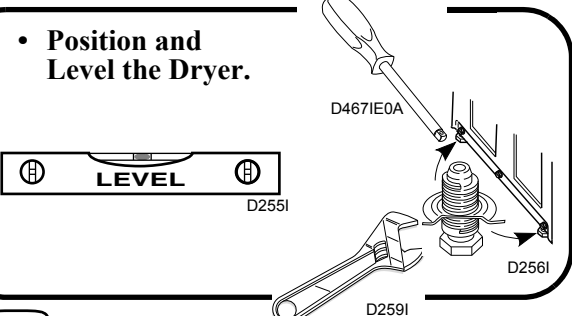
If replacement parts are required, contact the source from which you purchased your dryer for the name and address of the nearest authorized parts distributor.

Installer Checklist

Fast Track for Installing the Dryer

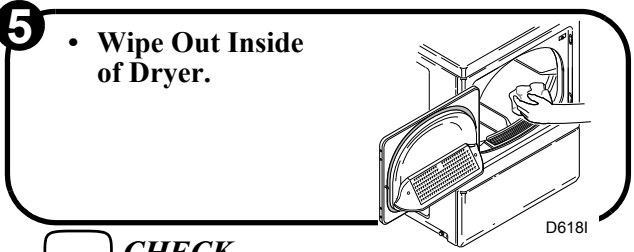
(Refer to the manual for more detailed information)

1 • Position and Level the Dryer.



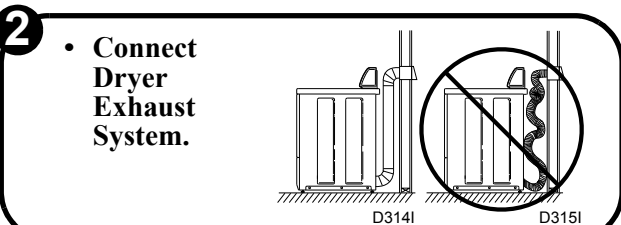
CHECK

5 • Wipe Out Inside of Dryer.



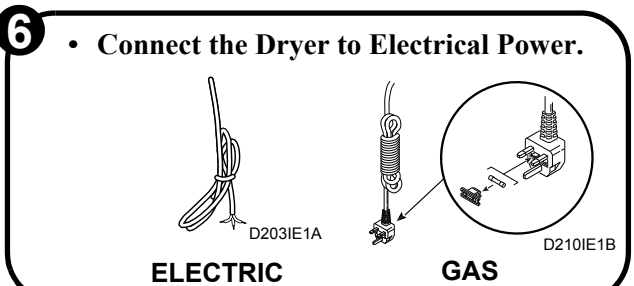
CHECK

2 • Connect Dryer Exhaust System.



CHECK

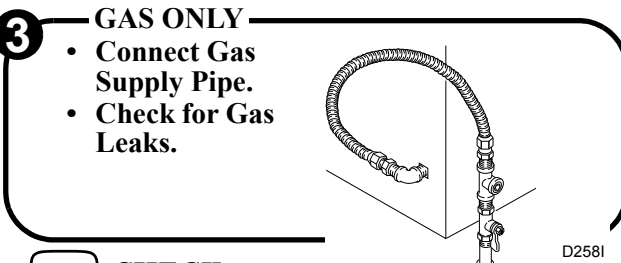
6 • Connect the Dryer to Electrical Power.



CHECK

3 **GAS ONLY**

- Connect Gas Supply Pipe.
- Check for Gas Leaks.

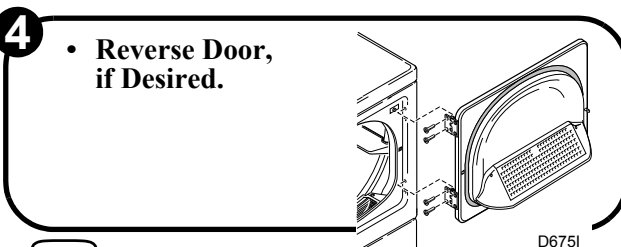


CHECK

7 • Recheck Steps 1-6.

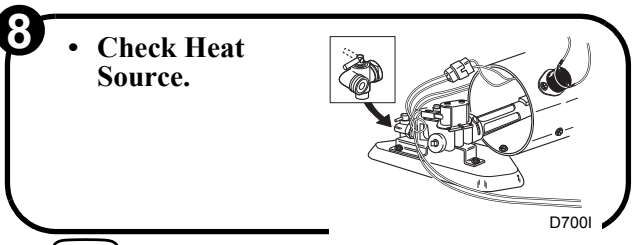
CHECK

4 • Reverse Door, if Desired.



CHECK

8 • Check Heat Source.



CHECK