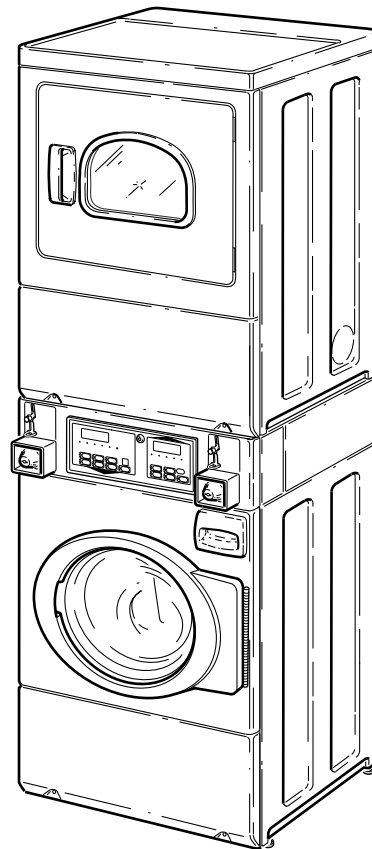


Commercial Stacked Washer/ Dryers

Refer to Page 5 for Model Numbers



SWD453C_803403

www.groupdynamics-laundry.com
sales@groupdynamics.lv

Table of Contents

Title	Page
Parts Ordering Information.....	3
Nameplate Location	3
Model Identification	5
Control Panel and Controls (Drawing 1 of 2)	6
Control Panel and Controls (Drawing 2 of 2)	8
Control Cabinet Controls (Drawing 1 of 2)	10
Control Cabinet Controls (Drawing 2 of 2)	12
Network Board Assembly.....	14
Contactor	16
Electrical Access Panel, Filters and Terminal Block	18
Cabinet Wrapper and Coin Drop.....	20
Electronic Coin Drop	22
Cabinet Wrapper and Card Reader Front Assembly	24
Control Cabinet	26
Control Cabinet and Controls.....	28
Electrical Access Panel, Filters and Terminal Block	30
Washer Door Assembly	32
Washer Front Panel and Door Seal (Drawing 1 of 2).....	34
Washer Front Panel and Door Seal (Drawing 2 of 2).....	36
Dispenser Assembly (Drawing 1 of 3).....	38
Dispenser Assembly (Drawing 2 of 3).....	40
Dispenser Assembly (Drawing 3 of 3).....	42
Mixing Valve, Valve-to-Dispenser Inlet Hose and Fill Hose	44
Outer Tub, Front and Clamp Ring.....	46
Warning Label for Outer Tub Assembly	48
Outer Tub, Front, Clamp Ring and Heating Element	50
Inner Basket, Trunnion, Bearing Housing and Pulley	52
Washer Motor and Belt	54
Drain Hoses and Valve	56
Hoses and Pump	58
Washer Base and Rear Panel	60
Side Panels.....	62
Junction Box and Power Cord	64
Wire Ties, Harness Clips and Washer Lead-In Cord	66
Dryer Loading Door with Window (Drawing 1 of 2).....	68
Dryer Loading Door with Window (Drawing 2 of 2).....	70
Dryer Front Panel and Seal	72
Dryer Access Panel	74
Dryer Motor	76
Blower Fan and Belt.....	78
Thermistor and Thermostat.....	80
Front Bulkhead, Felt Seal and Cylinder	82

© Copyright 2013, Alliance Laundry Systems LLC

All rights reserved. No part of the contents of this book may be reproduced or transmitted in any form or by any means without the expressed written consent of the publisher.

Air Duct Assembly.....	84
Rear Bulkhead, Felt Seal and Cylinder Roller	86
Terminal Block	88
Heater Duct and Element Assembly (Drawing 1 of 2).....	90
Heater Duct and Element Assembly (Drawing 2 of 2).....	92
Heater Duct Assembly	94
Gas Valve, Igniter and Gas Conversion Kits.....	96
Burner Orifice Spuds - For Higher Elevations.....	98
Dryer Cabinet - Panels.....	100
Dryer Cabinet - Hardware	102
Dryer Exhaust Duct and Base (Drawing 1 of 2)	104
Dryer Exhaust Duct and Base (Drawing 2 of 2)	106
Dryer Power Cord	108
Dryer Motor Connection Block, Terminal Extractor Tools.....	110
Terminals	112
Shipping Materials	114
Labels (Drawing 1 of 3).....	116
Labels (Drawing 2 of 3).....	118
Labels (Drawing 3 of 3).....	120
Special Tools	122
Dryer Wire Harnesses and Wires (Drawing 1 of 3).....	124
Dryer Wire Harnesses and Wires (Drawing 2 of 3).....	126
Dryer Wire Harnesses and Wires (Drawing 3 of 3).....	128
Dryer Wire Harnesses and Wires Through Serial No. 1303025314	130
Dryer Wire Harnesses and Wires Starting Serial No. 1303025315	132
Washer Wire Harnesses and Wires (Drawing 1 of 2)	134
Washer Wire Harnesses and Wires (Drawing 2 of 2)	136
Parts Index.....	139

Parts Ordering Information

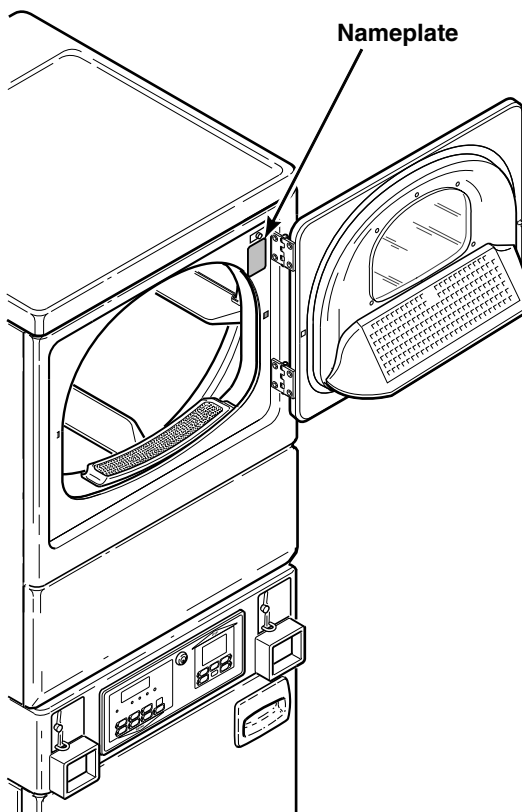
If literature or replacement parts are required, contact the source from whom the machine was purchased or contact Alliance Laundry Systems at (920) 748-3950 for the name and address of the nearest authorized parts distributor.

For technical assistance, call either of the numbers listed below:

(920) 748-3121 Ripon, Wisconsin
+32 56 41 20 54 Wevelgem, Belgium

Nameplate Location

When calling or writing about your product, be sure to mention model and serial numbers. Model and serial numbers are located on nameplate(s) as shown.



SWD1165P_803403

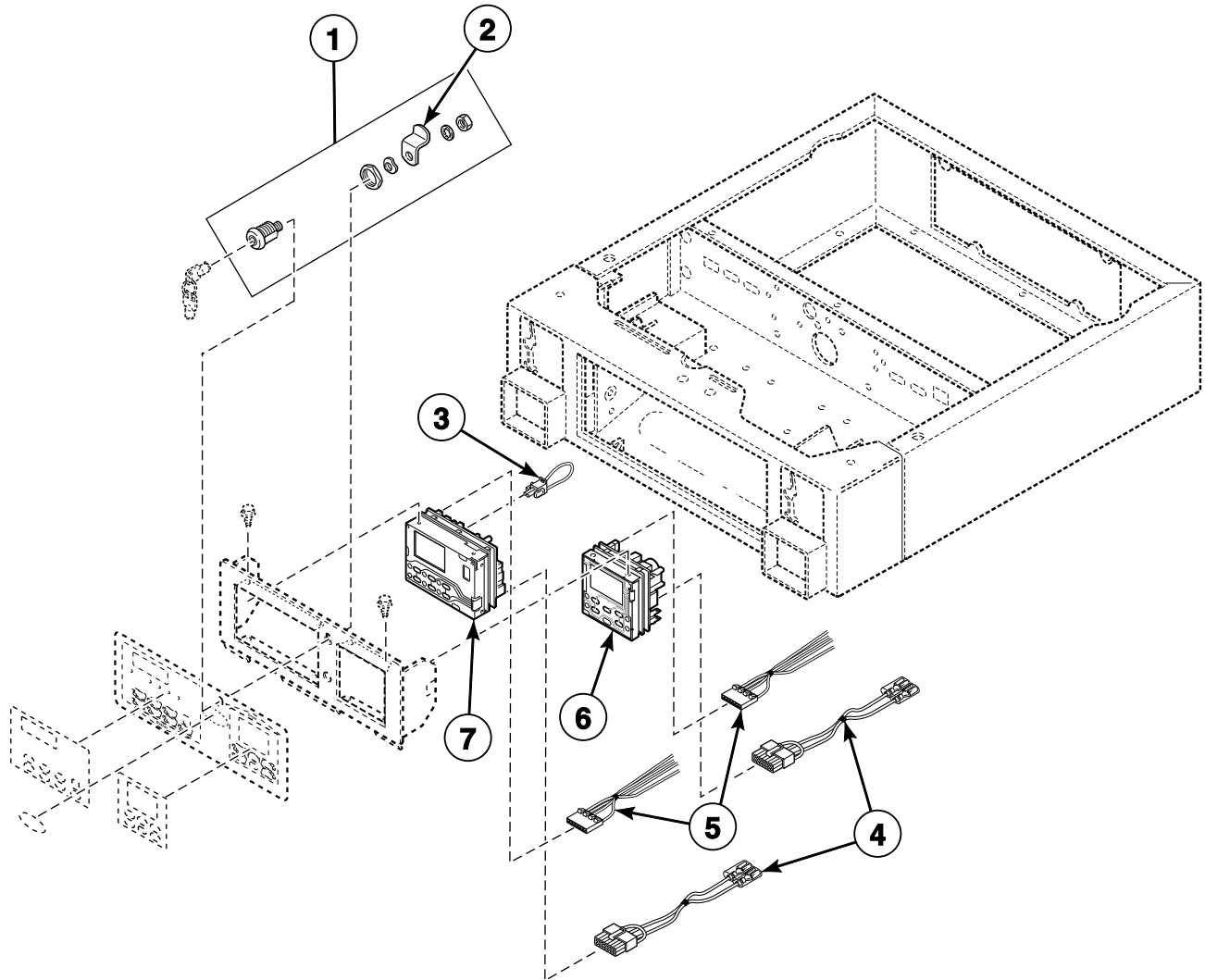
Model Identification

Information in this manual is applicable to these washer/dryer models:

BT3LLFSG401UN01	JT1DEFSP411EW01	NT1LLFSP411UW06	ST3LXFSP401NW22
BT3LLFSG401UW01	JT1DGFSP411EW01	NT1LLFSP412UW06	ST3LXFSP402NW22
BT3LLFSG402UW01	JT1DGFSP411EW06	NT1LXFSP401UN01	STELCFSP171TW01
BT3LLFSP401UN01	JT1DMFSG411EN01	NT1LXFSP401UW01	STELXFSP171TW01
BT3LLFSP402UN01	JT1DMFSG411EN06	NT1LXFSP402UW01	STELXFSP431AW01
BT3LLFSP401UW01	JT1DXFSP411EW01	NT1LXFSP402UW06	STELXFSP432AW01
BT3LLFSP402UW01	JT2DEFSP411EW01	NT2LLFSP401UN01	STELYFSP171TW01
BT3LXFSG401UN01	JT2DGFSP411EW01	NT2LLFSP402UN01	STENCFSP171TW01
BT3LXFSG401UW01	JT2DGFSP411EW06	NT2LLFSP401UW01	STENCFSP172TW01
BT3LXFSG402UW01	JT2DMFSG411EN01	NT2LLFSP402UW01	STENXFSP171TW01
BT3LXFSP401UN01	JT2DMFSG411EN06	NT2LLFSP401UW06	STENXFSP172TW01
BT3LXFSP402UN01	JT2DXFSP411EW01	NT2LLFSP402UW06	STENYFSP171TW01
BT3LXFSP401UW01	JTEDEFSP301EW01	NT2LXFSP401UN01	STENYFSP172TW01
BT3LXFSP402UW01	JTEDXFSP301EW01	NT2LXFSP402UN01	STEWYFSP302NW25
HTELCFSP281CW01	JTGDEFSP301EW01	NT2LXFSP401UW01	STGLCFSP111TW01
HTELCFSP291CW01	JTGDXFSP301EW01	NT2LXFSP402UW01	STGLCFSP111TWNA
HTELYFSP281CW01		NT2LXFSP402UW06	STGLXFSG111TW01
HTELYFSP291CW01		NT3LLFSG401UW01	STGLXFSP111TW01
HTENXFSP281CW01		NT3LLFSG402UW01	STGLXFSP301AW01
HTENXFSP282CW01		NT3LLFSP401NN22	STGLXFSP302AW01
HTENXFSP291CW01		NT3LLFSP402NN22	STGLYFSP111TW01
HTENXFSP292CW01		NT3LLFSP401NW22	STGLYFSP111TWNA
HTENYFSP281CW01		NT3LLFSP402NW22	STGNCFSP111TW01
HTENYFSP282CW01		NT3LLFSP401UN01	STGNCFSP112TW01
HTENYFSP291CW01		NT3LLFSP402UN01	STGNXFSG082JW01
HTENYFSP292CW01		NT3LLFSP401UW01	STGNXFSG111TW01
HTGLXFSP091CW01		NT3LLFSP402UW01	STGNXFSG112TW01
HTGNXFSP091CW01		NT3LXFSG401UW01	STGNXFSP111TW01
HTGNXFSP092CW01		NT3LXFSG402UW01	STGNXFSP112TW01
		NT3LXFSP401UN01	STGNYFSP111TW01
		NT3LXFSP402UN01	STGNYFSP112TW01
		NT3LXFSP401UW01	STLNXFSP542NW23
		NT3LXFSP402UW01	STLNYFSP541NW23
		NT3LXFSP402NW22	STLNYFSP542NW23
		NTHLXFSP571NW01	
		NTHLXFSP572NW01	
		NTHLYFSP571NW01	
		NTHLYFSP572NW01	

Control Panel and Controls (Drawing 1 of 2)

All Models Except BT3LLFSG401UN01, BT3LLFSG401UW01, BT3LLFSG402UW01, BT3LLFSP401UN01, BT3LLFSP402UN01, BT3LLFSP401UW01, BT3LLFSP402UW01, JT1DGFSP411EW01, JT1DGFSP411EW06, JT1DMFSG411EN01, JT1DMFSG411EN06, JT2DGFSP411EW01, JT2DGFSP411EW06, JT2DMFSG411EN01, JT2DMFSG411EN06, NT1LLFSP411UW06, NT1LLFSP412UW06, NT2LLFSP401UN01, NT2LLFSP402UN01, NT2LLFSP401UW01, NT2LLFSP402UW01, NT2LLFSP401UW06, NT2LLFSP402UW06, NT3LLFSG401UW01, NT3LLFSG402UW01, NT3LLFSP401NN22, NT3LLFSP402NN22, NT3LLFSP401NW22, NT3LLFSP402NW22, NT3LLFSP401UN01, NT3LLFSP402UN01, NT3LLFSP401UW01 and NT3LLFSP402UW01



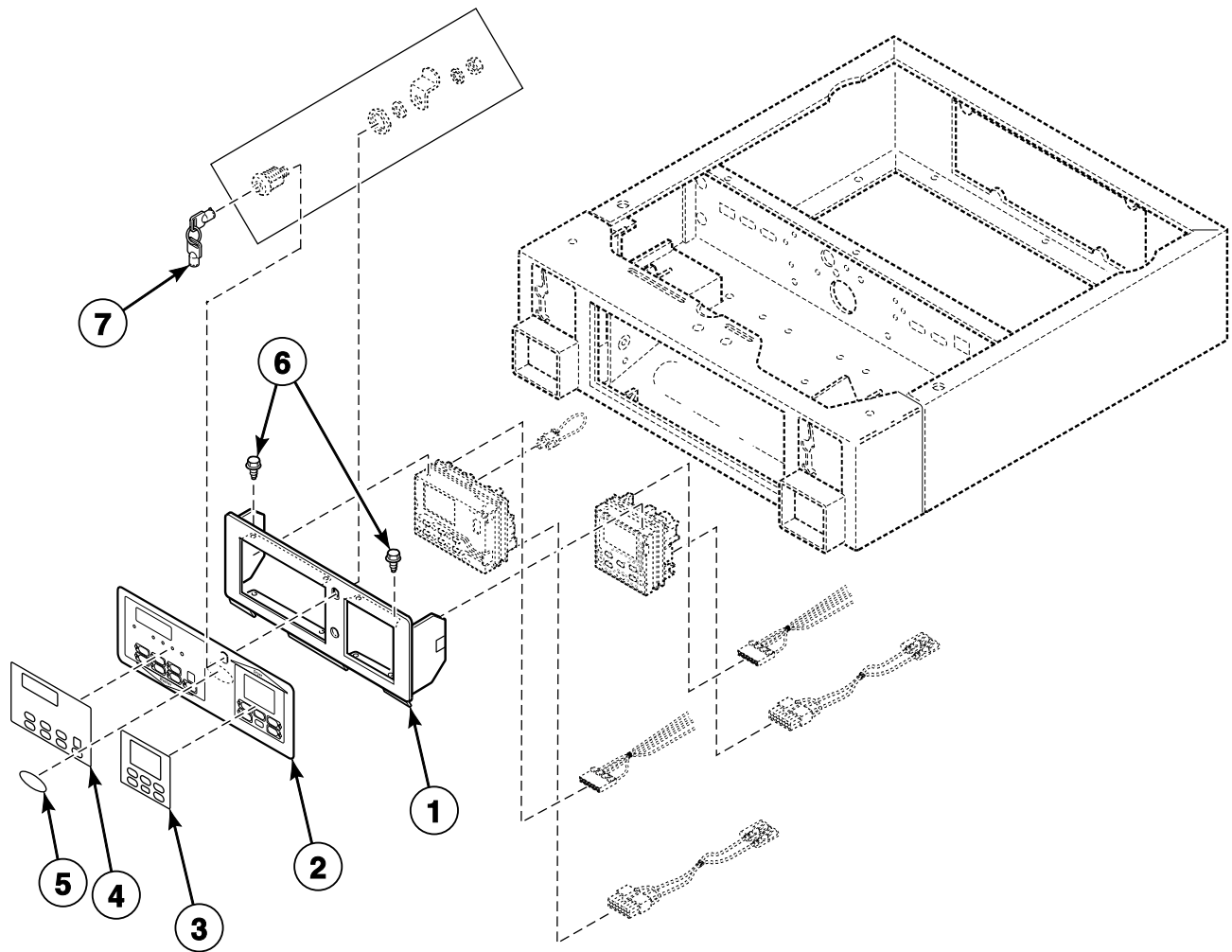
SWD1278P_803403

Control Panel and Controls (Drawing 1 of 2)

REF	PART NO.	DESCRIPTION	COMMENTS
	NK203	Network Retrofit Kit	Wired
	NK220	Network Controller Kit	Wired
	NK301	Wireless Network Kit	
	NK320	Ethernet Gateway Kit	Wireless
	NK330	USB Gateway Kit	Wireless
1	27260P	Lock Kit	
2	27261	Lock Cam	
3	802913P	Wire Harness Assembly	Models STGLXFSG111TW01, STGNXFSG082JW01, STGNXFSG111TW01 and STGNXFSG112TW01
4	800374	Diagnostic Wire Harness Assembly	Models HTELYFSP281CW01, HTELYFSP291CW01, NTHLYFSP571NW01, NTHLYFSP572NW01, STELYFSP171TW01, STEWYFSP302NW25, STGLYFSP111TW01, STGLYFSP111TWNA, STGNYFSP111TW01, STGNYFSP112TW01, STLNYFSP541NW23 and STLNYFSP542NW23
5	511478	Central Pay Harness	
6	511867P	Control Assembly	Dryer; Models JT1DEFSP411EW01, JT1DXFSP411EW01, JT2DEFSP411EW01, JT2DXFSP411EW01, JTEDEFSP301EW01, JTEDXFSP301EW01, JTGDEFSP301EW01 and JTGDXFSP301EW01
	513534P	Control Assembly	Dryer; All other models
7	803306P	Control Assembly	Models JTEDEFSP301EW01, JTEDXFSP301EW01, JTGDEFSP301EW01 and JTGDXFSP301EW01
	803367P	Control Assembly	Models JT1DEFSP411EW01, JT1DXFSP411EW01, JT2DEFSP411EW01 and JT2DXFSP411EW01
	803619P	Control Assembly	Washer; Models HTELYFSP281CW01, HTELYFSP291CW01, HTELYFSP281CW01, HTELYFSP291CW01, HTENXFSP281CW01, HTENXFSP282CW01, HTENXFSP291CW01, HTENXFSP292CW01, HTENYFSP281CW01, HTENYFSP282CW01, HTENYFSP291CW01, HTENYFSP292CW01, HTGLXFSP091CW01, HTGNXFSP091CW01, HTGNXFSP092CW01, STELCFSP171TW01, STELCFSP171TW01, STELCFSP171TW01, STELCFSP171TW01, STELYFSP171TW01, STENCFSP171TW01, STENCFSP172TW01, STENCFSP171TW01, STENCFSP172TW01, STENYFSP171TW01, STENYFSP172TW01, STEWYFSP302NW25, STGLCFSP111TW01, STGLCFSP111TWNA, STGLXFSG111TW01, STGLXFSP111TW01, STGLXFSP301AW01, STGLXFSP302AW01, STGLYFSP111TW01, STGLYFSP111TWNA, STGNCFSP111TW01, STGNCFSP112TW01, STGNXFSG082JW01, STGNXFSG111TW01, STGNXFSG112TW01, STGNXFSP111TW01, STGNXFSP112TW01, STGNYFSP111TW01, STGNYFSP112TW01, STLNXFSP542NW23, STLNYFSP541NW23 and STLNYFSP542NW23
	802912P	Control Assembly	Washer; All other models

Control Panel and Controls (Drawing 2 of 2)

All Models Except BT3LLFSG401UN01, BT3LLFSG401UW01, BT3LLFSG402UW01, BT3LLFSP401UN01, BT3LLFSP402UN01, BT3LLFSP401UW01, BT3LLFSP402UW01, JT1DGFSP411EW01, JT1DGFSP411EW06, JT1DMFSG411EN01, JT1DMFSG411EN06, JT2DGFSP411EW01, JT2DGFSP411EW06, JT2DMFSG411EN01, JT2DMFSG411EN06, NT1LLFSP411UW06, NT1LLFSP412UW06, NT2LLFSP401UN01, NT2LLFSP402UN01, NT2LLFSP401UW01, NT2LLFSP402UW01, NT2LLFSP401UW06, NT2LLFSP402UW06, NT3LLFSG401UW01, NT3LLFSG402UW01, NT3LLFSP401NN22, NT3LLFSP402NN22, NT3LLFSP401NW22, NT3LLFSP402NW22, NT3LLFSP401UN01, NT3LLFSP402UN01, NT3LLFSP401UW01 and NT3LLFSP402UW01



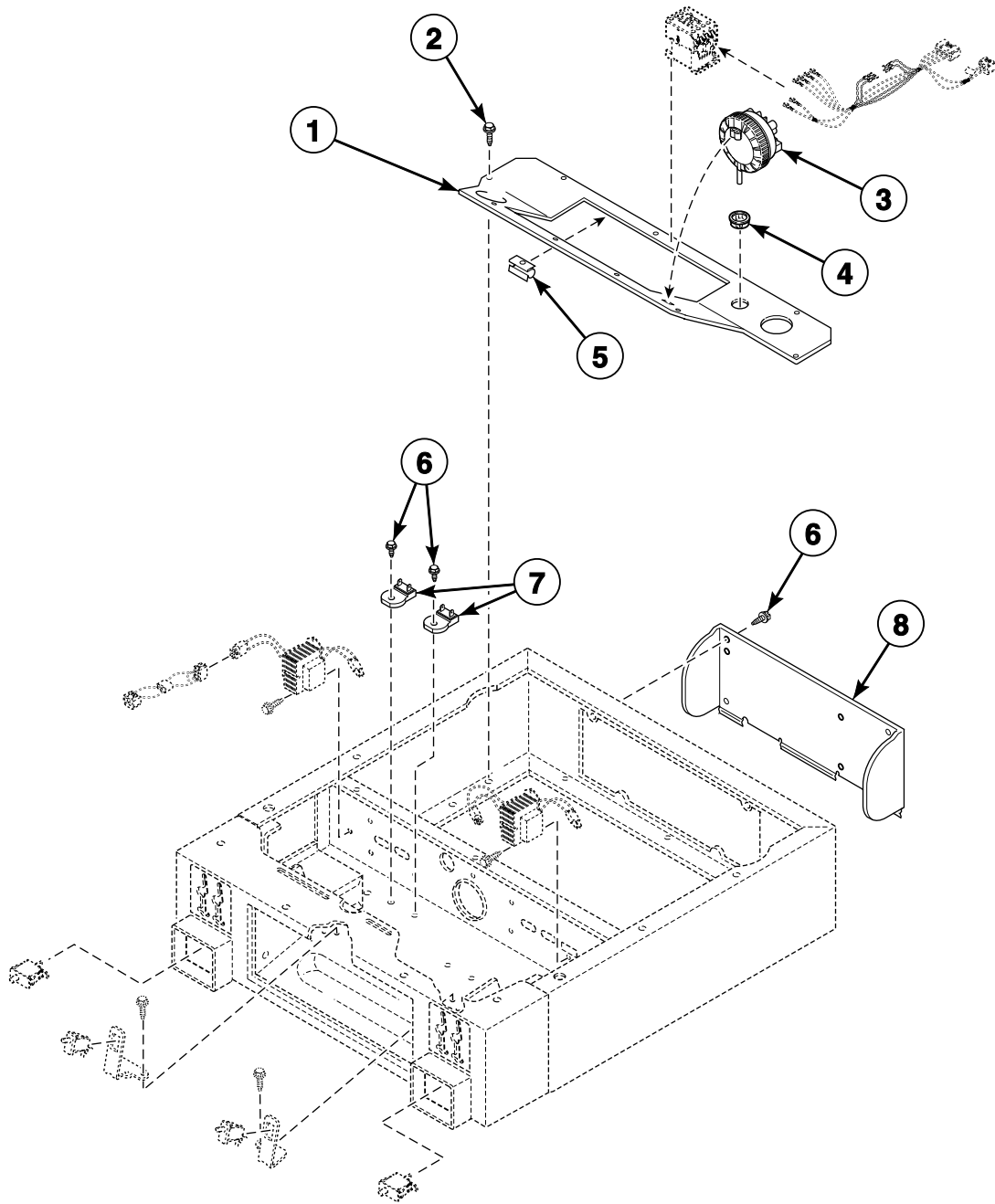
SWD1278PA_803403

Control Panel and Controls (Drawing 2 of 2)

REF	PART NO.	DESCRIPTION	COMMENTS
	NK203	Network Retrofit Kit	Wired
	NK220	Network Controller Kit	Wired
	NK301	Wireless Network Kit	
	NK320	Ethernet Gateway Kit	Wireless
	NK330	USB Gateway Kit	Wireless
1	800034B	Control Panel and Bracket Assembly	Models BT3LXFSG401UN01, BT3LXFSP401UN01, BT3LXFSP402UN01, JT1DEFSP411EW01, JT1DXFSP411EW01, JT2DEFSP411EW01, JT2DXFSP411EW01, JTEDEFSP301EW01, JTEDXFSP301EW01, JTGDEFSP301EW01, JTGDXFSP301EW01, NT1LXFSP401UN01, NT2LXFSP401UN01, NT2LXFSP402UN01, NT3LXFSP401UN01 and NT3LXFSP402UN01
	800034W	Control Panel and Bracket Assembly	All other models
2	803136	Overlay	Models BT3LXFSG401UN01, BT3LXFSG402UW01, BT3LXFSP401UN01, BT3LXFSP402UN01, BT3LXFSP401UW01 and BT3LXFSP402UW01
	802996	Overlay	Models NT1LXFSP401UN01, NT1LXFSP401UW01, NT1LXFSP402UW01, NT1LXFSP402UW06, NT2LXFSP401UN01, NT2LXFSP402UN01, NT2LXFSP401UW01, NT2LXFSP402UW01, NT2LXFSP402UW06, NT3LXFSG401UW01, NT3LXFSG402UW01, NT3LXFSP401UN01, NT3LXFSP402UN01, NT3LXFSP401UW01, NT3LXFSP402UW01, NTHLXFSP571NW01, NTHLXFSP572NW01, NTHLYFSP571NW01, NTHLYFSP572NW01, ST3LXFSP401NW22 and ST3LXFSP402NW22
	802994	Overlay	Models HTELFSP281CW01, HTELFSP291CW01, HTELYFSP281CW01, HTELYFSP291CW01, HTENXFSP281CW01, HTENXFSP282CW01, HTENXFSP291CW01, HTENXFSP292CW01, HTENYFSP281CW01, HTENYFSP282CW01, HTENYFSP291CW01, HTENYFSP292CW01, HTGLXFSP091CW01, HTGNXFSP091CW01 and HTGNXFSP092CW01
	803286	Overlay	Models JT1DEFSP411EW01, JT1DXFSP411EW01, JT2DEFSP411EW01, JT2DXFSP411EW01, JTEDEFSP301EW01, JTEDXFSP301EW01, JTGDEFSP301EW01 and JTGDXFSP301EW01
	802886	Control Overlay	All other models
3	513545	Control Overlay	French/English; Models HTELFSP281CW01, HTELFSP291CW01, HTELYFSP281CW01, HTELYFSP291CW01, HTENXFSP281CW01, HTENXFSP282CW01, HTENXFSP291CW01, HTENXFSP292CW01, HTENYFSP281CW01, HTENYFSP282CW01, HTENYFSP291CW01, HTENYFSP292CW01, HTGLXFSP091CW01, HTGNXFSP091CW01 and HTGNXFSP092CW01
4	803596	Control Overlay	French/English; Models HTELFSP281CW01, HTELFSP291CW01, HTELYFSP281CW01, HTELYFSP291CW01, HTENXFSP281CW01, HTENXFSP282CW01, HTENXFSP291CW01, HTENXFSP292CW01, HTENYFSP281CW01, HTENYFSP282CW01, HTENYFSP291CW01, HTENYFSP292CW01, HTGLXFSP091CW01, HTGNXFSP091CW01 and HTGNXFSP092CW01
5	800921	Domed Label	Models ST3LXFSP401NW22 and ST3LXFSP402NW22
6	501524	Screw	
7	54612	Key	GR800

Control Cabinet Controls (Drawing 1 of 2)

All Models Except BT3LLFSG401UN01, BT3LLFSG401UW01, BT3LLFSG402UW01, BT3LLFSP401UN01, BT3LLFSP402UN01, BT3LLFSP401UW01, BT3LLFSP402UW01, JT1DGFSP411EW01, JT1DGFSP411EW06, JT1DMFSG411EN01, JT1DMFSG411EN06, JT2DGFSP411EW01, JT2DGFSP411EW06, JT2DMFSG411EN01, JT2DMFSG411EN06, NT1LLFSP411UW06, NT1LLFSP412UW06, NT2LLFSP401UN01, NT2LLFSP402UN01, NT2LLFSP401UW01, NT2LLFSP402UW01, NT2LLFSP401UW06, NT2LLFSP402UW06, NT3LLFSG401UW01, NT3LLFSG402UW01, NT3LLFSP401NN22, NT3LLFSP402NN22, NT3LLFSP401NW22, NT3LLFSP402NW22, NT3LLFSP401UN01, NT3LLFSP402UN01, NT3LLFSP401UW01 and NT3LLFSP402UW01



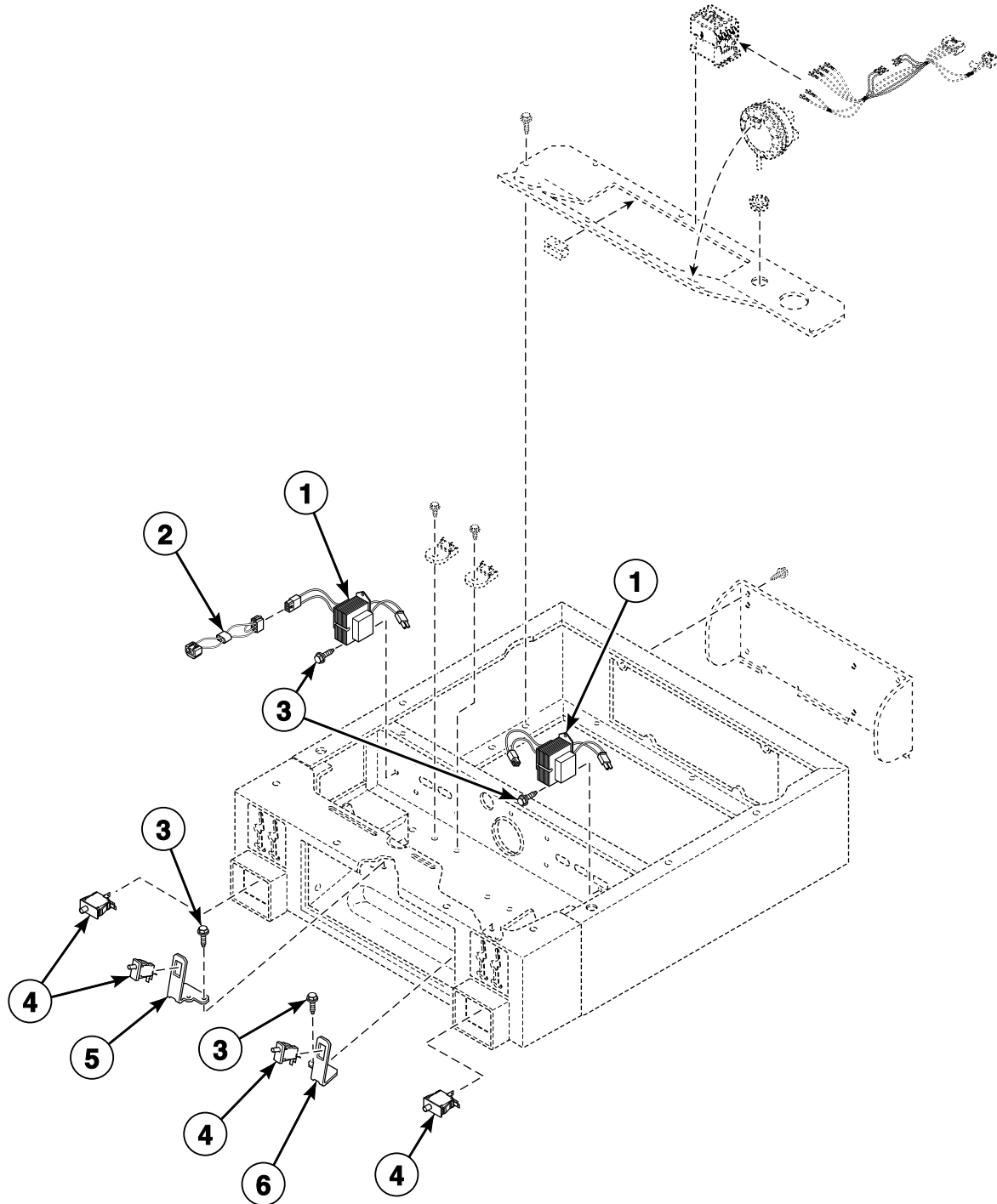
SWD1209P_803403

Control Cabinet Controls (Drawing 1 of 2)

REF	PART NO.	DESCRIPTION	COMMENTS
1	801371	Control Shield	
2	503661	Screw	
3	802299P	Pressure Switch	
4	M402542	Snap Bushing	
5	36985	Hose Clip	
6	503688	Screw	
7	210100	Resistor	Models BT3LXFSG401UN01, BT3LXFSG401UW01, BT3LXFSG402UW01, BT3LXFSP401UN01, BT3LXFSP402UN01, BT3LXFSP401UW01, BT3LXFSP402UW01, JT1DEFSP411EW01, JT1DXFSP411EW01, JT2DEFSP411EW01, JT2DXFSP411EW01, JTEDEFSP301EW01, JTEDXFSP301EW01, JTGDEFSP301EW01, JTGDXFSP301EW01, NT1LXFSP401UN01, NT1LXFSP401UW01, NT1LXFSP402UW01, NT1LXFSP402UW06, NT2LXFSP401UN01, NT2LXFSP402UN01, NT2LXFSP401UW01, NT2LXFSP402UW01, NT2LXFSP402UW06, NT3LXFSG401UW01, NT3LXFSG402UW01, NT3LXFSP401UN01, NT3LXFSP402UN01, NT3LXFSP401UW01, NT3LXFSP402UW01, NT3LXFSP402NW22, NTHLXFSP571NW01, NTHLXFSP572NW01, NTHLYFSP571NW01, NTHLYFSP572NW01, ST3LXFSP401NW22, ST3LXFSP402NW22, STELXFSP431AW01, STELXFSP432AW01, STEWYFSP302NW25, STGLXFSP301AW01, STGLXFSP302AW01, STLNXFSP542NW23, STLNYFSP541NW23 and STLNYFSP542NW23
8	800177	Security Cabinet Rear Service Panel	All models except BT3LXFSG401UN01, BT3LXFSG401UW01, BT3LXFSG402UW01, BT3LXFSP401UN01, BT3LXFSP402UN01, BT3LXFSP401UW01, BT3LXFSP402UW01, JT1DEFSP411EW01, JT1DXFSP411EW01, JT2DEFSP411EW01, JT2DXFSP411EW01, JTEDEFSP301EW01, JTEDXFSP301EW01, JTGDEFSP301EW01, JTGDXFSP301EW01, NT1LXFSP401UN01, NT1LXFSP401UW01, NT1LXFSP402UW01, NT1LXFSP402UW06, NT2LXFSP401UN01, NT2LXFSP402UN01, NT2LXFSP401UW01, NT2LXFSP402UW01, NT2LXFSP402UW06, NT3LXFSG401UW01, NT3LXFSG402UW01, NT3LXFSP401UN01, NT3LXFSP402UN01, NT3LXFSP401UW01, NT3LXFSP402UW01, NT3LXFSP402NW22, NTHLXFSP571NW01, NTHLXFSP572NW01, NTHLYFSP571NW01, NTHLYFSP572NW01, ST3LXFSP401NW22 and ST3LXFSP402NW22

Control Cabinet Controls (Drawing 2 of 2)

All Models Except BT3LLFSG401UN01, BT3LLFSG401UW01, BT3LLFSG402UW01, BT3LLFSP401UN01, BT3LLFSP402UN01, BT3LLFSP401UW01, BT3LLFSP402UW01, JT1DGFSP411EW01, JT1DGFSP411EW06, JT1DMFSG411EN01, JT1DMFSG411EN06, JT2DGFSP411EW01, JT2DGFSP411EW06, JT2DMFSG411EN01, JT2DMFSG411EN06, NT1LLFSP411UW06, NT1LLFSP412UW06, NT2LLFSP401UN01, NT2LLFSP402UN01, NT2LLFSP401UW01, NT2LLFSP402UW01, NT2LLFSP401UW06, NT2LLFSP402UW06, NT3LLFSG401UW01, NT3LLFSG402UW01, NT3LLFSP401NN22, NT3LLFSP402NN22, NT3LLFSP401NW22, NT3LLFSP402NW22, NT3LLFSP401UN01, NT3LLFSP402UN01, NT3LLFSP401UW01 and NT3LLFSP402UW01



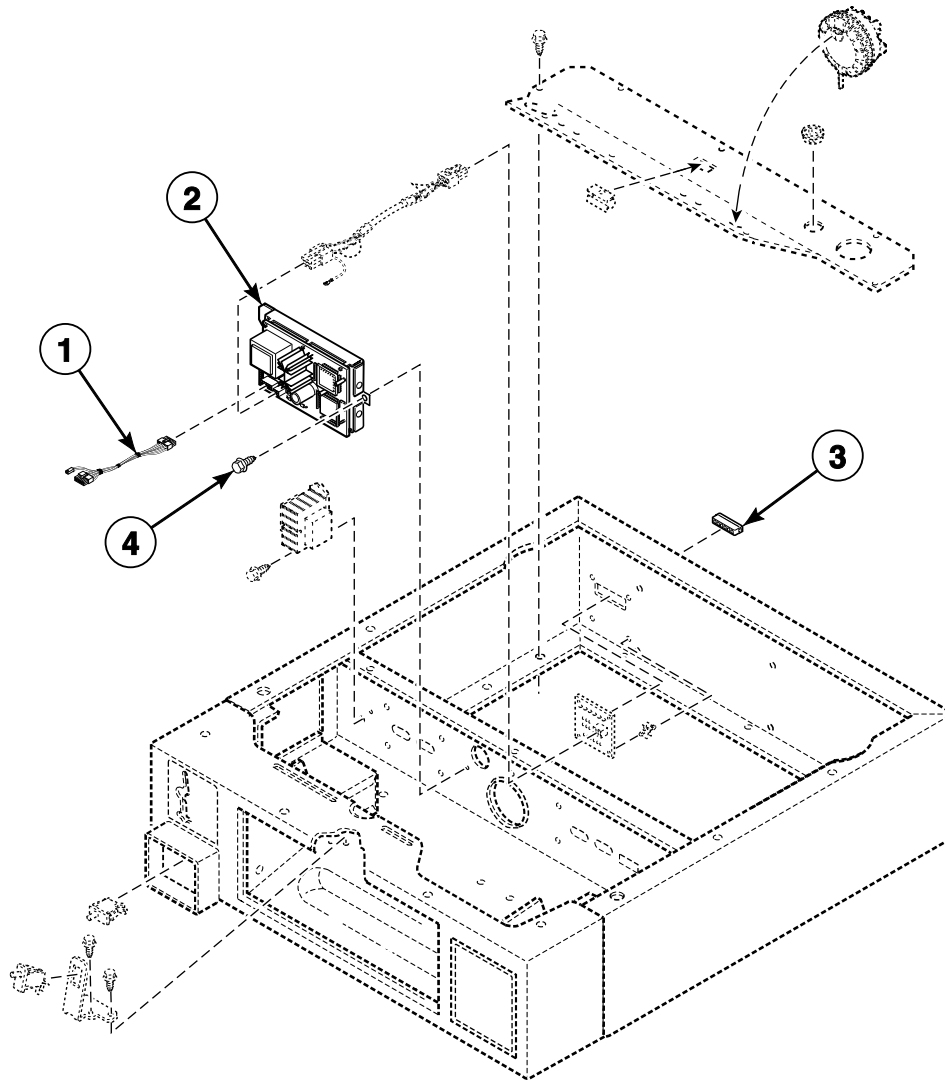
SWD1209PB_803403

Control Cabinet Controls (Drawing 2 of 2)

REF	PART NO.	DESCRIPTION	COMMENTS
1	210018P	Transformer	Models STELCFSP171TW01, STENCFSP171TW01, STENCFSP172TW01, STGLCFSP111TW01, STGLCFSP111TWNA, STGNCFSP111TW01 and STGNCFSP112TW01
	201375P	Transformer	Models HTELCFSP281CW01, HTELCFSP291CW01, HTELYFSP281CW01, HTELYFSP291CW01, HTENXFSP281CW01, HTENXFSP282CW01, HTENXFSP291CW01, HTENXFSP292CW01, HTENYFSP281CW01, HTENYFSP282CW01, HTENYFSP291CW01, HTENYFSP292CW01, HTGLXFSP091CW01, HTGNXFSP091CW01, HTGNXFSP092CW01, STELYFSP171TW01, STENYFSP171TW01, STENYFSP172TW01, STGLXFSP111TW01, STGLYFSP111TW01, STGLYFSP111TWNA, STGNXFSP111TW01, STGNXFSP112TW01, STGNXFSP112TW01 and STGNXFSP112TW01
	803527P	Transformer	JT2DEFSP411EW01, JT2DXFSP411EW01, JTGDEFSP301EW01, JTGDXFSP301EW01, NT2LXFSP401UN01, NT2LXFSP402UN01, NT2LXFSP401UW01, NT2LXFSP402UW01 and NT2LXFSP402UW06 3 required; All other models 2 required
2	M413507	Jumper Configuration Assembly	Models BT3LXFSP401UN01, BT3LXFSP401UW01, BT3LXFSP402UW01, BT3LXFSP401UN01, BT3LXFSP402UN01, BT3LXFSP401UW01, BT3LXFSP402UW01, JT1DEFSP411EW01, JT1DXFSP411EW01, JT2DEFSP411EW01, JT2DXFSP411EW01, JTEDEFSP301EW01, JTEDXFSP301EW01, JTGDEFSP301EW01, JTGDXFSP301EW01, NT1LXFSP401UN01, NT1LXFSP401UW01, NT1LXFSP402UW01, NT1LXFSP402UW06, NT2LXFSP401UN01, NT2LXFSP402UN01, NT2LXFSP401UW01, NT2LXFSP402UW01, NT2LXFSP402UW06, NT3LXFSP401UW01, NT3LXFSP402UW01, NT3LXFSP401UN01, NT3LXFSP402UN01, NT3LXFSP401UW01, NT3LXFSP402UW01, NT3LXFSP402NW22, NTHLXFSP571NW01, NTHLXFSP572NW01, NTHLYFSP571NW01, NTHLYFSP572NW01, ST3LXFSP401NW22, ST3LXFSP402NW22, STELCFSP431AW01, STELCFSP432AW01, STGLXFSP301AW01, STGLXFSP302AW01, STLNXFSP542NW23, STLNYFSP541NW23 and STLNYFSP542NW23
	M413504	Jumper Harness Assembly	Model STGNXFSP082JW01
	M413505	Jumper Harness Assembly	Models STELCFSP171TW01, STENXFSP171TW01, STENXFSP172TW01, STGLXFSP111TW01, STGNXFSP111TW01 and STGNXFSP112TW01
3	503688	Screw	
4	512973	Switch	All models except STEWYFSP302NW25
5	800379	Audit Switch Bracket	Left
6	800380	Audit Switch Bracket	Right

Network Board Assembly

Model STEWYFSP302NW25



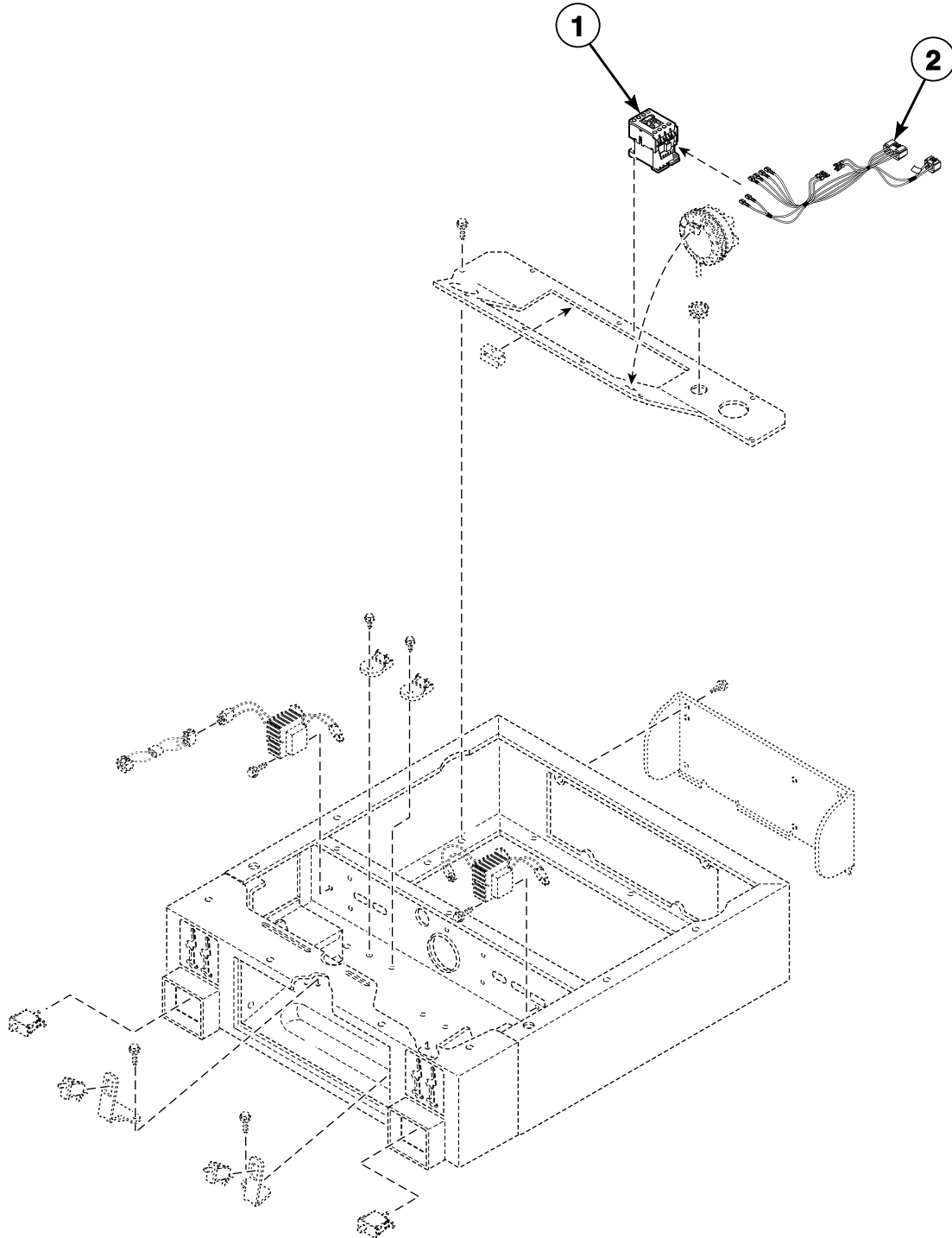
FLW896P_803403

Network Board Assembly

REF	PART NO.	DESCRIPTION	COMMENTS
1	44088501P	Network Wire Harness Assembly	
2	202335	Wireless Transceiver Assembly	
3	210099	Communication Connector	
4	503661	Screw	

Contactor

Models BT3LXFSG401UN01, BT3LXFSG401UW01, BT3LXFSG402UW01, BT3LXFSP401UN01, BT3LXFSP402UN01, BT3LXFSP401UW01, BT3LXFSP402UW01, JT1DEFSP411EW01, JT1DXFSP411EW01, JT2DEFSP411EW01, JT2DXFSP411EW01, NT1LXFSP401UN01, NT1LXFSP401UW01, NT1LXFSP402UW01, NT1LXFSP402UW06, NT2LXFSP401UN01, NT2LXFSP402UN01, NT2LXFSP401UW01, NT2LXFSP402UW01, NT2LXFSP402UW06, NT3LXFSG401UW01, NT3LXFSG402UW01, NT3LXFSP401UN01, NT3LXFSP402UN01, NT3LXFSP401UW01, NT3LXFSP402UW01, NT3LXFSP402NW22, NTHLXFSP571NW01, NTHLXFSP572NW01, NTHLYFSP571NW01, NTHLYFSP572NW01, ST3LXFSP401NW22 and ST3LXFSP402NW22



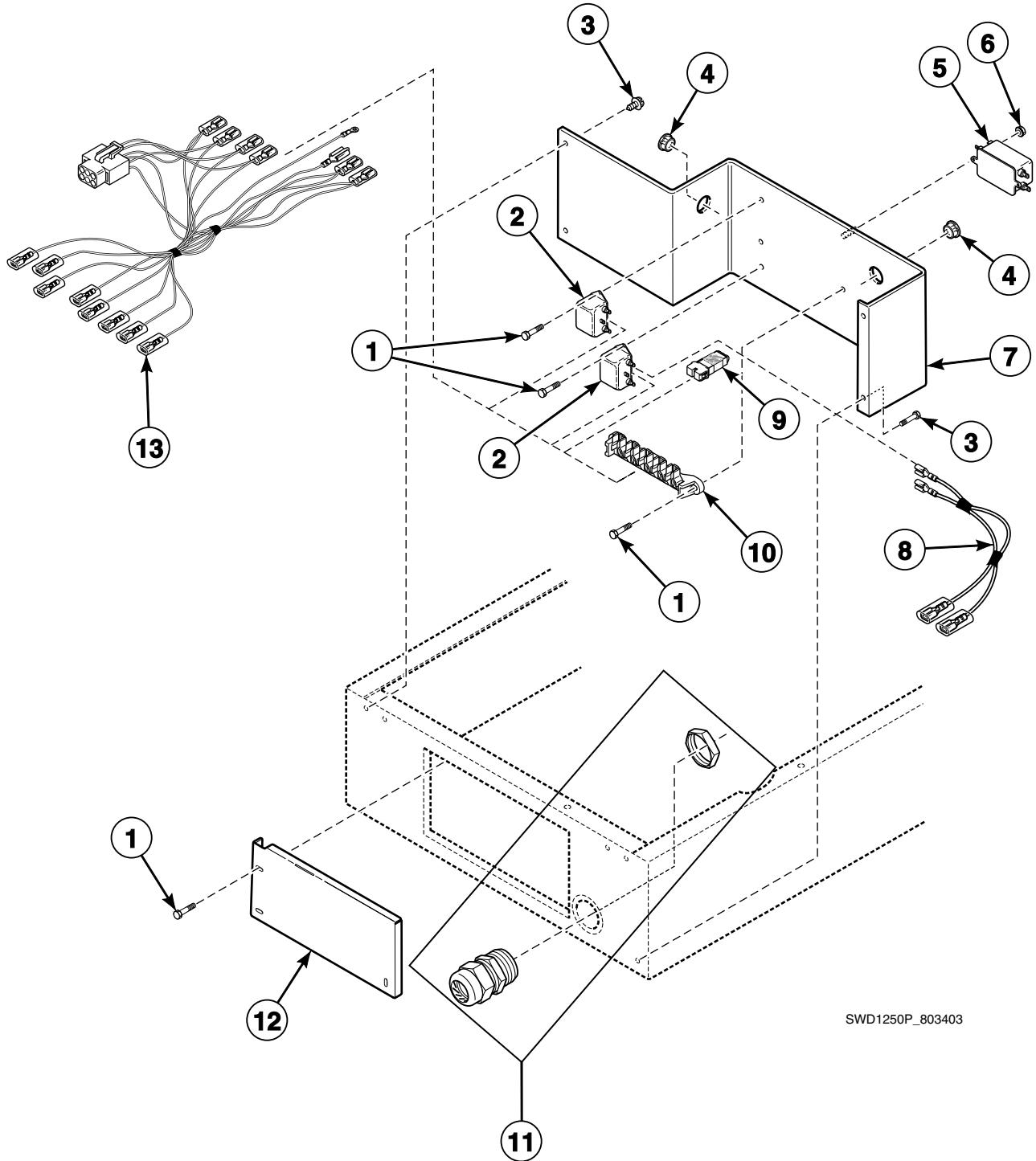
SWD1209PA_803403

Contactor

REF	PART NO.	DESCRIPTION	COMMENTS
1	F330177P	Contactor	Models through Serial Nos. beginning 1210
	F8379101	Contactor	Models starting Serial Nos. beginning 1210
2	801120P	Contactor Wire Harness Assembly	Models through Serial Nos. beginning 1210
	804229	Contactor Wire Harness Assembly	Models starting Serial Nos. beginning 1210

Electrical Access Panel, Filters and Terminal Block

Models BT3LXFSG401UN01, BT3LXFSG401UW01, BT3LXFSG402UW01, BT3LXFSP401UN01, BT3LXFSP402UN01, BT3LXFSP401UW01, BT3LXFSP402UW01, JT1DEFSP411EW01, JT1DXFSP411EW01, JT2DEFSP411EW01, JT2DXFSP411EW01, JTEDEFSP301EW01, JTEDXFSP301EW01, JTGDEFSP301EW01, JTGDXFSP301EW01, NT1LXFSP401UN01, NT1LXFSP401UW01, NT1LXFSP402UW01, NT1LXFSP402UW06, NT2LXFSP401UN01, NT2LXFSP402UN01, NT2LXFSP401UW01, NT2LXFSP402UW01, NT2LXFSP402UW06, NT3LXFSG401UW01, NT3LXFSG402UW01, NT3LXFSP401UN01, NT3LXFSP402UN01, NT3LXFSP401UW01, NT3LXFSP402UW01, NT3LXFSP402NW22, NTHLXFSP571NW01, NTHLXFSP572NW01, NTHLYFSP571NW01, NTHLYFSP572NW01, ST3LXFSP401NW22 and ST3LXFSP402NW22

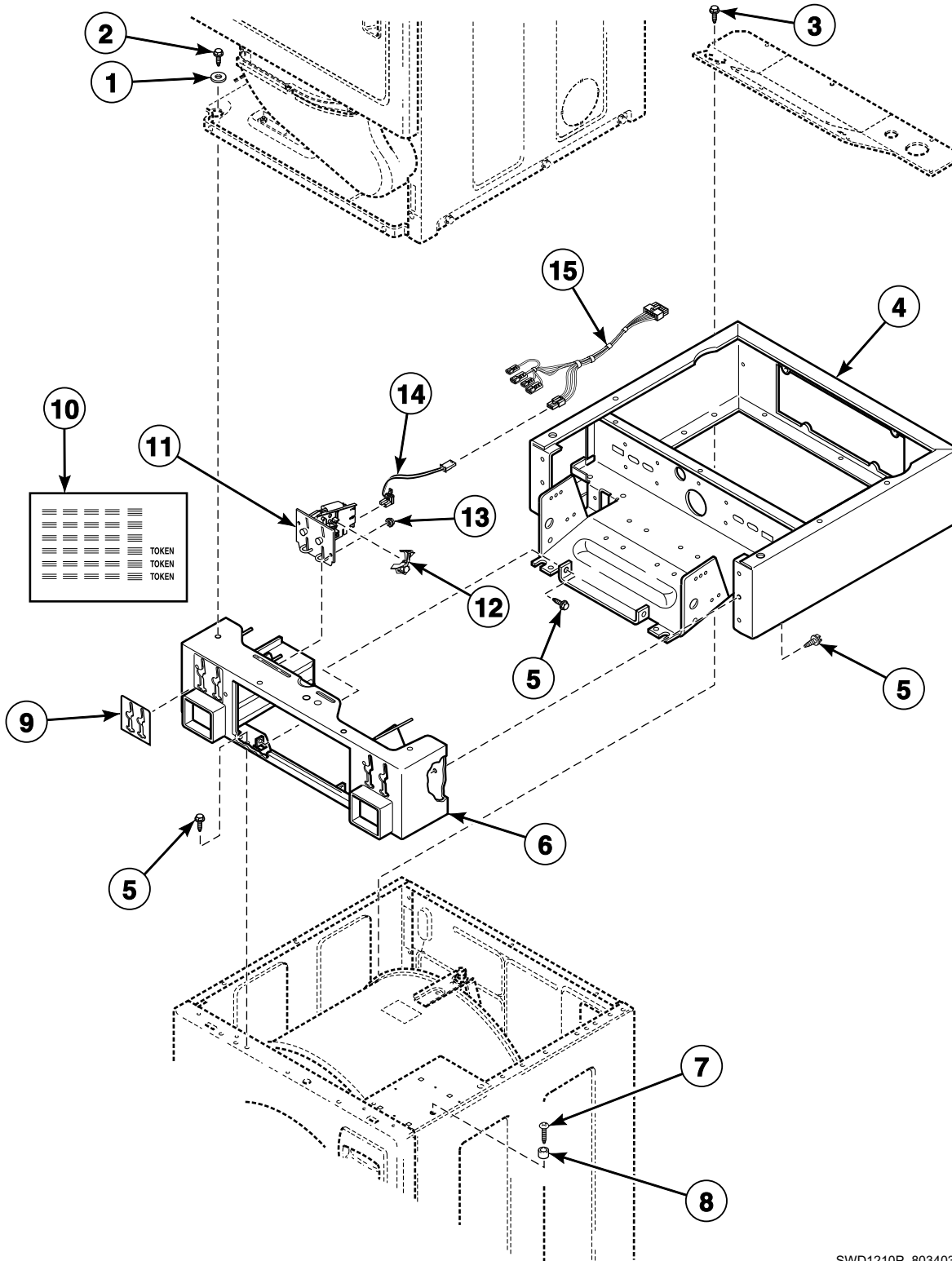


Electrical Access Panel, Filters and Terminal Block

REF	PART NO.	DESCRIPTION	COMMENTS
1	503661	Screw	
2	801255P	Filter	All models except JTEDEFSP301EW01, JTEDXFSP301EW01, JTGDEFSP301EW01 and JTGDXFSP301EW01
3	503688	Screw	
4	M402542	Snap Bushing	
5	201058	Line Filter	
6	29787	Nut	
7	801250	Terminal Block Assembly	
8	801421	Wire Harness Assembly	1 Phase filter; Models JTEDEFSP301EW01, JTEDXFSP301EW01, JTGDEFSP301EW01 and JTGDXFSP301EW01
9	801311	Network Varistor Assembly	
10	505876	Terminal Block Assembly	
11	801792P	Fitting	
12	801134	Electric Access Panel	
13	803314P	Wire Harness Assembly	1 Phase power; Models JTEDEFSP301EW01, JTEDXFSP301EW01, JTGDEFSP301EW01 and JTGDXFSP301EW01
	801261	Wire Harness Assembly	3 Phase power; All other models

Cabinet Wrapper and Coin Drop

Coin Drop Models



SWD1210P_803403

Cabinet Wrapper and Coin Drop

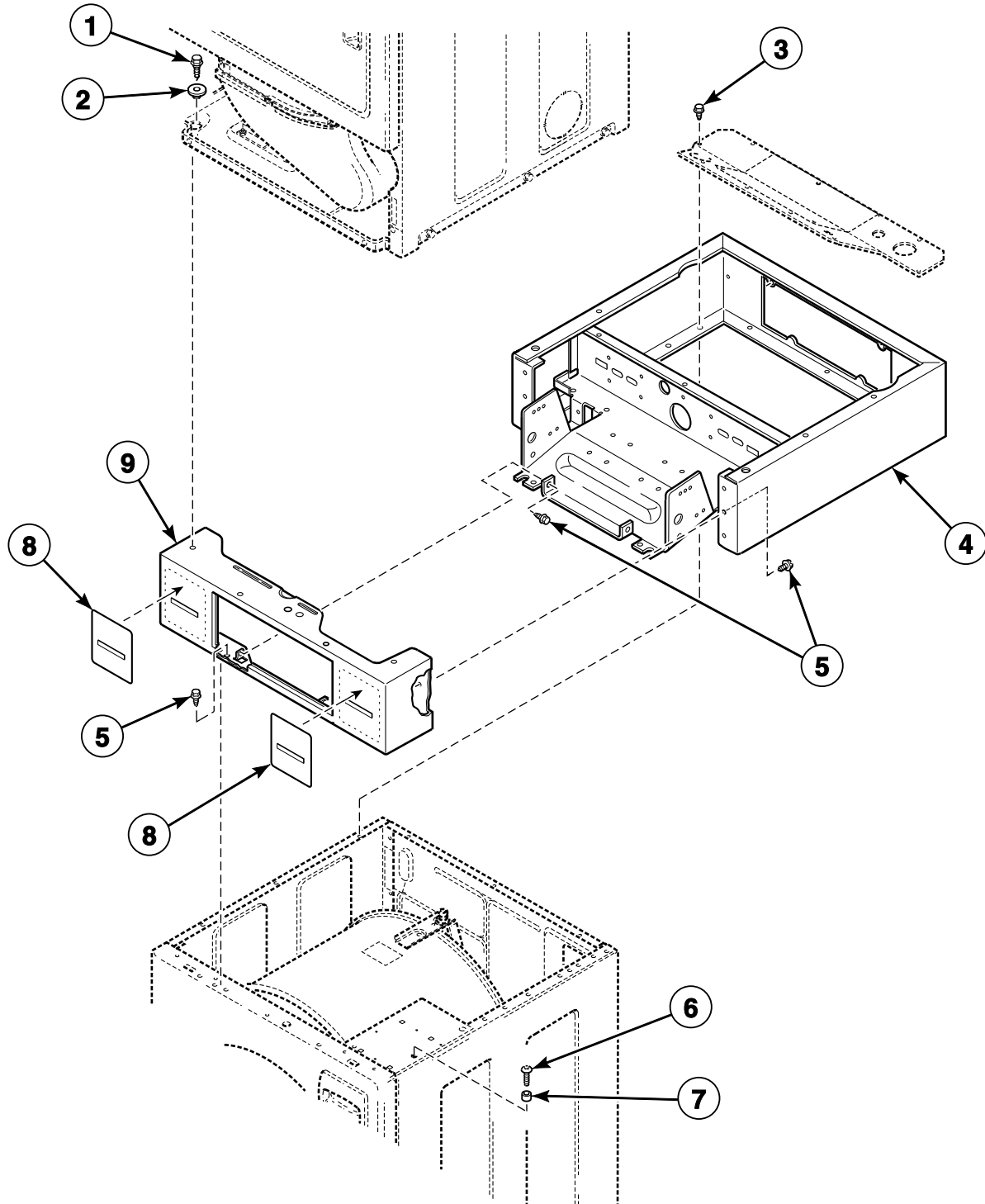
REF	PART NO.	DESCRIPTION	COMMENTS
1	26509	Washer	
2	36048	Screw	
3	503661	Screw	
4	801235W	Security Cabinet Wrapper Assembly	Models BT3LXFSG401UW01, BT3LXFSG402UW01, BT3LXFSP401UW01, BT3LXFSP402UW01, JT1DEFSP411EW01, JT1DXFSP411EW01, JT2DEFSP411EW01, JT2DXFSP411EW01, JTEDEFSP301EW01, JTEDXFSP301EW01, JTGDEFSP301EW01, JTGDXFSP301EW01, NT1LXFSP401UW01, NT1LXFSP402UW01, NT1LXFSP402UW06, NT2LXFSP401UW01, NT2LXFSP402UW01, NT2LXFSP402UW06, NT3LXFSP401UW01, NT3LXFSP402UW01, NT3LXFSP402NW22, NTHLXFSP571NW01, NTHLXFSP572NW01, ST3LXFSP401NW22 and ST3LXFSP402NW22
	801235B	Security Cabinet Wrapper Assembly	Models BT3LXFSG401UN01, BT3LXFSP401UN01, BT3LXFSP402UN01, NT1LXFSP401UN01, NT2LXFSP401UN01, NT2LXFSP402UN01, NT3LXFSP401UN01 and NT3LXFSP402UN01
	800231W	Security Cabinet Wrapper Assembly	All other models
5	503688	Screw	
6	511632B	Security Cabinet Front Assembly	Models BT3LXFSG401UN01, BT3LXFSP401UN01, BT3LXFSP402UN01, JT1DEFSP411EW01, JT1DXFSP411EW01, JT2DEFSP411EW01, JT2DXFSP411EW01, JTEDEFSP301EW01, JTEDXFSP301EW01, JTGDEFSP301EW01, JTGDXFSP301EW01, NT1LXFSP401UN01, NT2LXFSP401UN01, NT2LXFSP402UN01, NT3LXFSP401UN01 and NT3LXFSP402UN01
	511632WP	Security Cabinet Front Assembly	All other models
7	512921	Screw	Models BT3LXFSG401UN01, BT3LXFSP401UN01, BT3LXFSP402UN01, NT1LXFSP401UN01, NT2LXFSP401UN01, NT2LXFSP402UN01, NT3LXFSP401UN01 and NT3LXFSP402UN01
	39733	Screw	All other models
8	56079	Panel Locator	
9	803476	Single Drop Overlay	Models JT1DEFSP411EW01, JT1DXFSP411EW01, JT2DEFSP411EW01, JT2DXFSP411EW01, JTEDEFSP301EW01, JTEDXFSP301EW01, JTGDEFSP301EW01 and JTGDXFSP301EW01
	38676	Overlay Kit	Dual drop; includes item 10
	39073	Dual Overlay	\$.25 and \$1.00
	38717	Single Overlay	Models STELCFSP171TW01, STENCFSP171TW01, STENCFSP172TW01, STGLCFSP111TW01, STGLCFSP111TWNA, STGNCFSP111TW01 and STGNCFSP112TW01
10	38725	Coin Identification Paper	
11	70441601P	Coin Drop	U.S.A.; \$.25
	70441602	Coin Drop Assembly	Canada; .25 and 1.00
	38464P	Coin Drop Assembly	Canada; .25
	38467	Coin Drop Assembly	Australia; .20 and 1.00
	70482401	Coin Drop Assembly	New Zealand; 1.00 and 2.00
	38472	Coin Drop Assembly	England; 20 pence and 1 pound
	38519	Coin Drop Assembly	Japan; 100 yen and 500 yen
	38521	Coin Drop Assembly	Korea; 100 won and 500 won
	CK114	Coin Drop Assembly	Singapore; 1.00
	38462P	Coin Drop Assembly	Token; STD-118-1
	38463	Coin Drop Assembly	Token; STD-118-5
	38963P	Coin Drop	Token; STD-118-16
12	201595P	Wire Guard	Anti-stringing device
13	29786	Nut	
14	200674P	Opto Coupler	
15	802904P	Harness Assembly	Models STELCFSP171TW01, STENCFSP171TW01, STENCFSP172TW01, STGLCFSP111TW01, STGLCFSP111TWNA, STGNCFSP111TW01 and STGNCFSP112TW01
	802905	Harness Assembly	All other models

Electronic Coin Drop

REF	PART NO.	DESCRIPTION	COMMENTS
1	70294103P	Electronic Coin Drop Assembly	Euro and Great Britain coins
	70294104	Electronic Coin Drop Assembly	Euro, Denmark and Norway coins
	70294105P	Electronic Coin Drop Assembly	Australia, New Zealand, Hong Kong and South Korea coins
	70294106	Electronic Coin Drop Assembly	Mexico, Ecuador and United States coins
	70294107	Electronic Coin Drop Assembly	Euro, Lithuania and Latvia coins
	70294110	Electronic Coin Drop Assembly	South African 1, 2 and 5 rand coins
	70294111	Electronic Coin Drop Assembly	Euro coins
	70294112	Electronic Coin Drop Assembly	Euro, Great Britain and token coins
	70294116	Electronic Coin Drop Assembly	Malaysia, China and Singapore coins
	70294117	Electronic Coin Drop Assembly	Russia coins
	70294120	Electronic Coin Drop Assembly	Chile coins
	70294121	Electronic Coin Drop Assembly	Singapore coins
2	201216	Nut	
3	201104	Coin Drop Wire Harness	
4	802905	Harness Assembly	If adding electronic coin drop, models STELCFSP171TW01, STENCFSP171TW01, STENCFSP172TW01, STGLCFSP111TW01, STGLCFSP111TWNA, STGNCFSP111TW01 and STGNCFSP112TW01 must use this harness
5	201375P	Transformer	If adding electronic coin drop, models STELCFSP171TW01, STENCFSP171TW01, STENCFSP172TW01, STGLCFSP111TW01, STGLCFSP111TWNA, STGNCFSP111TW01 and STGNCFSP112TW01 must use this transformer
6	201091	Overlay	
7	201572	Clip	
8	38725	Coin Identification Paper	
9	CK115	Electronic Coin Drop Kit	Includes items 1-3 and 6-8; United States and Canada coins
	CK099	Electronic Coin Drop Kit	Includes items 1-3 and 6-8; Australia, New Zealand, Hong Kong and South Korea coins
	CK100	Electronic Coin Drop Kit	Includes items 1-3 and 6-8; Euro and Great Britain coins
	CK101	Electronic Coin Drop Kit	Includes items 1-3 and 6-8; Euro, Denmark and Norway coins
	CK103	Electronic Coin Drop Kit	Includes items 1-3 and 6-8; Euro, Lithuania and Latvia coins
	CK108	Electronic Coin Drop Kit	Includes items 1-3 and 6-8; South African 1, 2 and 5 rand coins
	CK109	Electronic Coin Drop Kit	Includes items 1-3 and 6-8; Euro coins
	CK110	Electronic Coin Drop Kit	Includes items 1-3 and 6-8; Mexico, Ecuador and United States coins
	CK113	Electronic Coin Drop Kit	Includes items 1-3 and 6-8; Japan and Taiwan coins
	CK116	Electronic Coin Drop Kit	Includes items 1-3 and 6-8; Malaysia and China coins
	CK117	Electronic Coin Drop Kit	Includes items 1-3 and 6-8; Russia coins
	CK118	Electronic Coin Drop Kit	Includes items 1-3 and 6-8; Philippine coins
CK120	Electronic Coin Drop Kit	Includes items 1-3 and 6-8; Chile coins	
CK121	Electronic Coin Drop Kit	Includes items 1-3 and 6-8; Singapore coins	

Cabinet Wrapper and Card Reader Front Assembly

Models HTELYFSP281CW01, HTELYFSP291CW01, HTENYFSP281CW01, HTENYFSP282CW01, HTENYFSP291CW01, HTENYFSP292CW01, NTHLYFSP571NW01, NTHLYFSP572NW01, STELYFSP171TW01, STENYFSP171TW01, STENYFSP172TW01, STEWYFSP302NW25, STGLYFSP111TW01, STGLYFSP111TWNA, STGNYFSP111TW01, STGNYFSP112TW01, STLNYFSP541NW23 and STLNYFSP542NW23



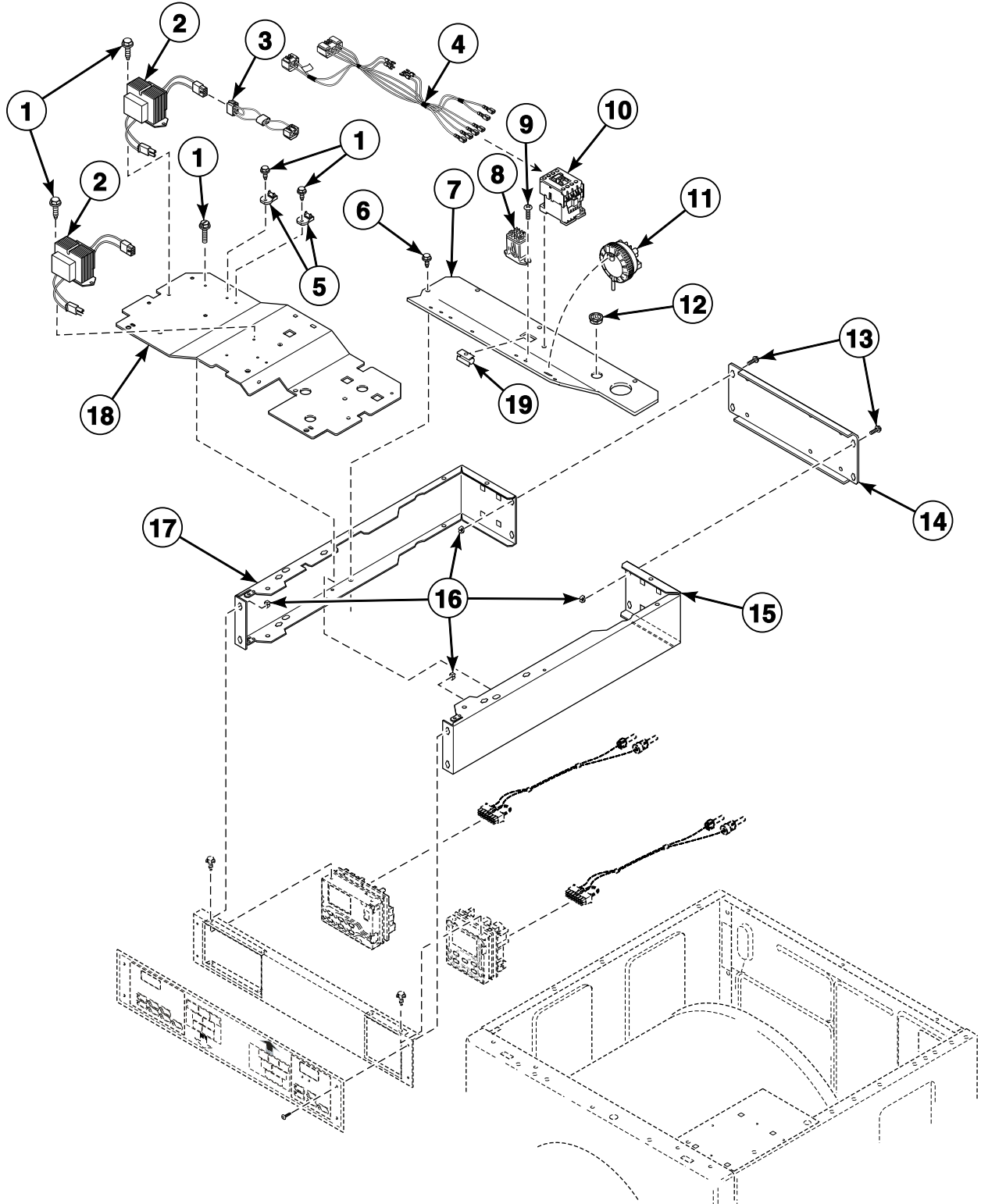
SWD1246P_803403

Cabinet Wrapper and Card Reader Front Assembly

REF	PART NO.	DESCRIPTION	COMMENTS
1	36048	Screw	
2	26509	Washer	
3	503661	Screw	
4	801235W	Security Cabinet Wrapper Assembly	Models NTHLYFSP571NW01 and NTHLYFSP572NW01
	800231W	Security Cabinet Wrapper Assembly	All other models
5	503688	Screw	
6	39733	Screw	
7	56079	Panel Locator	
8	511544	Card Insert Overlay	Models STELYFSP171TW01, STENYFSP171TW01, STENYFSP172TW01, STEWYFSP302NW25, STGLYFSP111TW01, STGLYFSP111TWNA, STGNYFSP111TW01, STGNYFSP112TW01, STLNYFSP541NW23 and STLNYFSP542NW23
	511548	Card Insert Overlay	Models HTELYFSP281CW01, HTELYFSP291CW01, HTENYFSP281CW01, HTENYFSP282CW01, HTENYFSP291CW01 and HTENYFSP292CW01
9	511208W	Security Cabinet Front Assembly	

Control Cabinet

Models BT3LLFSG401UN01, BT3LLFSG401UW01, BT3LLFSG402UW01, BT3LLFSP401UN01, BT3LLFSP402UN01, BT3LLFSP401UW01, BT3LLFSP402UW01, JT1DGFSP411EW01, JT1DGFSP411EW06, JT1DMFSG411EN01, JT1DMFSG411EN06, JT2DGFSP411EW01, JT2DGFSP411EW06, JT2DMFSG411EN01, JT2DMFSG411EN06, NT1LLFSP411UW06, NT1LLFSP412UW06, NT2LLFSP401UN01, NT2LLFSP402UN01, NT2LLFSP401UW01, NT2LLFSP402UW01, NT2LLFSP401UW06, NT2LLFSP402UW06, NT3LLFSG401UW01, NT3LLFSG402UW01, NT3LLFSP401NN22, NT3LLFSP402NN22, NT3LLFSP401NW22, NT3LLFSP402NW22, NT3LLFSP401UN01, NT3LLFSP402UN01, NT3LLFSP401UW01 and NT3LLFSP402UW01



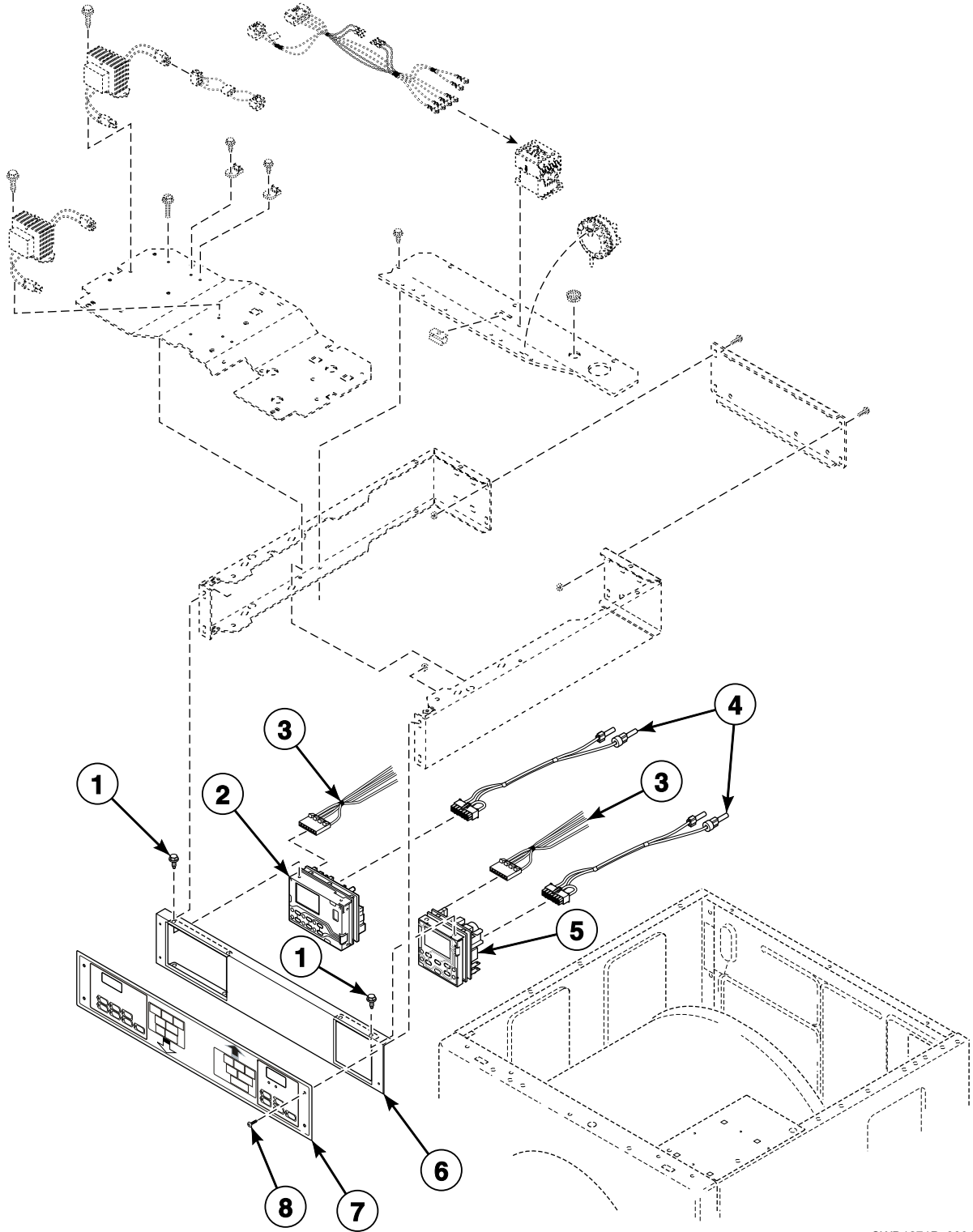
SWD1252P_803403

Control Cabinet

REF	PART NO.	DESCRIPTION	COMMENTS
1	503688	Screw	
2	803527P	Transformer	Models JT2DGFSP411EW01, JT2DGFSP411EW06, JT2DMFSG411EN01, JT2DMFSG411EN06, NT2LLFSP401UN01, NT2LLFSP401UW01 and NT2LLFSP401UW06 3 required; Models BT3LLFSG401UN01, BT3LLFSG401UW01, BT3LLFSG402UW01, BT3LLFSP401UN01, BT3LLFSP402UN01, BT3LLFSP401UW01, BT3LLFSP402UW01, JT1DGFSP411EW01, JT1DGFSP411EW06, JT1DMFSG411EN01, JT1DMFSG411EN06, NT1LLFSP411UW06, NT1LLFSP412UW06, NT2LLFSP402UN01, NT2LLFSP402UW01, NT2LLFSP402UW06, NT3LLFSG401UW01, NT3LLFSG402UW01, NT3LLFSP401NN22, NT3LLFSP402NN22, NT3LLFSP401NW22, NT3LLFSP402NW22, NT3LLFSP401UN01, NT3LLFSP402UN01, NT3LLFSP401UW01 and NT3LLFSP402UW01 2 required
3	M413507	Jumper Configuration Assembly	
4	801120P	Contactors Wire Harness Assembly	Models through Serial Nos. beginning 1210
	804229	Contactors Wire Harness Assembly	Models starting Serial Nos. beginning 1210
5	210100	Resistor	
6	503661	Screw	
7	801371	Control Shield	
8	F330230	Flange Relay	Models JT1DMFSG411EN01 and JT2DMFSG411EN01 through Serial Nos. beginning 1003
9	51782	Screw	Models JT1DMFSG411EN01 and JT2DMFSG411EN01 through Serial Nos. beginning 1003
10	F330177P	Contactors	Models through Serial Nos. beginning 1210
	F8379101	Contactors	Models starting Serial Nos. beginning 1210
11	803303P	Pressure Switch	Models JT1DMFSG411EN01, JT1DMFSG411EN06, JT2DMFSG411EN01 and JT2DMFSG411EN06
	802299P	Pressure Switch	All other models
12	M402542	Snap Bushing	
13	70240301	Screw	
14	801058	Rear Control Cabinet	
15	800915B	Right Control Cabinet Side	Models BT3LLFSG401UN01, BT3LLFSP401UN01, BT3LLFSP402UN01, JT1DMFSG411EN01, JT1DMFSG411EN06, JT2DMFSG411EN01, JT2DMFSG411EN06, NT2LLFSP401UN01, NT2LLFSP402UN01, NT3LLFSP401NN22, NT3LLFSP402NN22, NT3LLFSP401UN01 and NT3LLFSP402UN01
	800915W	Right Control Cabinet Side	All other models
16	70030501	Expansion Clip	
17	801738B	Left Control Cabinet Side	Models BT3LLFSG401UN01, BT3LLFSP401UN01, BT3LLFSP402UN01, JT1DMFSG411EN01, JT1DMFSG411EN06, JT2DMFSG411EN01, JT2DMFSG411EN06, NT2LLFSP401UN01, NT2LLFSP402UN01, NT3LLFSP401NN22, NT3LLFSP402NN22, NT3LLFSP401UN01 and NT3LLFSP402UN01
	801738W	Left Control Cabinet Side	All other models
18	801777	Control Cabinet Bottom	
19	36985	Hose Clip	

Control Cabinet and Controls

Models BT3LLFSG401UN01, BT3LLFSG401UW01, BT3LLFSG402UW01, BT3LLFSP401UN01, BT3LLFSP402UN01, BT3LLFSP401UW01, BT3LLFSP402UW01, JT1DGFSP411EW01, JT1DGFSP411EW06, JT1DMFSG411EN01, JT1DMFSG411EN06, JT2DGFSP411EW01, JT2DGFSP411EW06, JT2DMFSG411EN01, JT2DMFSG411EN06, NT1LLFSP411UW06, NT1LLFSP412UW06, NT2LLFSP401UN01, NT2LLFSP402UN01, NT2LLFSP401UW01, NT2LLFSP402UW01, NT2LLFSP401UW06, NT2LLFSP402UW06, NT3LLFSG401UW01, NT3LLFSG402UW01, NT3LLFSP401NN22, NT3LLFSP402NN22, NT3LLFSP401NW22, NT3LLFSP402NW22, NT3LLFSP401UN01, NT3LLFSP402UN01, NT3LLFSP401UW01 and NT3LLFSP402UW01



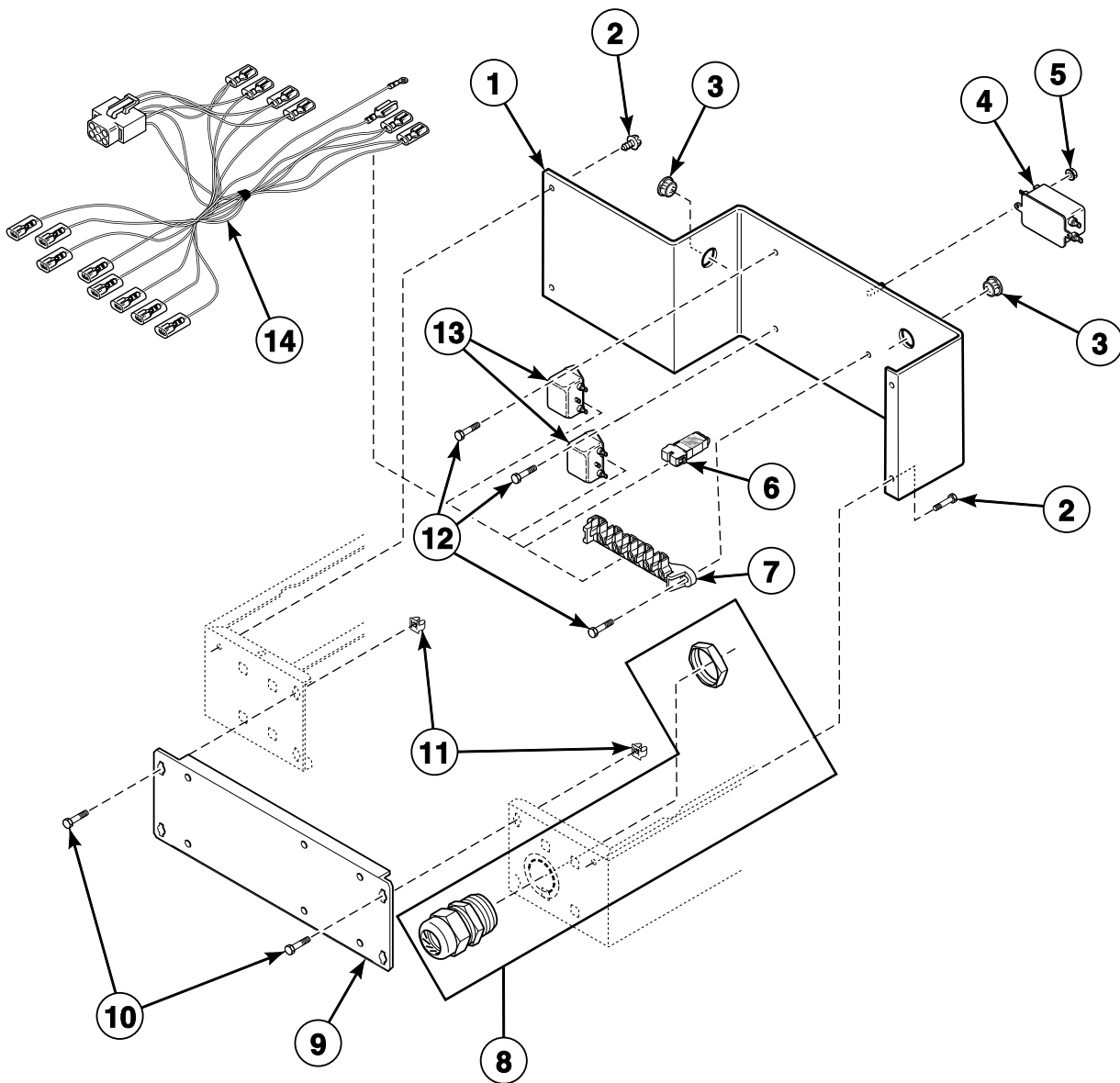
SWD1271P_803403

Control Cabinet and Controls

REF	PART NO.	DESCRIPTION	COMMENTS
	NK203	Network Retrofit Kit	Wired
	NK220	Network Controller Kit	Wired
	NK301	Wireless Network Kit	
	NK320	Ethernet Gateway Kit	Wireless
	NK330	USB Gateway Kit	Wireless
1	501524	Screw	
2	803317P	Control Assembly	Washer; Models JT1DGFSP411EW01, JT1DGFSP411EW06, JT2DGFSP411EW01 and JT2DGFSP411EW06
	803321P	Control Assembly	Washer; Models JT1DMFSG411EN01 and JT2DMFSG411EN01 through Serial Nos. beginning 1003
	803541	Control Assembly	Models JT1DMFSG411EN06 and JT2DMFSG411EN06; Models JT1DMFSG411EN01 and JT2DMFSG411EN01 starting Serial Nos. beginning 1003
	802912P	Control Assembly	Washer; All other models
3	511478	Central Pay Harness	
4	800680	Diagnostic Wire Harness Assembly	
5	511867P	Control Assembly	Dryer; Models JT1DGFSP411EW01, JT1DGFSP411EW06, JT1DMFSG411EN01, JT1DMFSG411EN06, JT2DGFSP411EW01, JT2DGFSP411EW06, JT2DMFSG411EN01 and JT2DMFSG411EN06
	513534P	Control Assembly	Dryer; All other models
6	801778B	Control Panel	Models BT3LLFSG401UN01, BT3LLFSP401UN01, BT3LLFSP402UN01, JT1DMFSG411EN01, JT1DMFSG411EN06, JT2DMFSG411EN01, JT2DMFSG411EN06, NT2LLFSP401UN01, NT2LLFSP402UN01, NT3LLFSP401NN22, NT3LLFSP402NN22, NT3LLFSP401UN01 and NT3LLFSP402UN01
	801778W	Control Panel	All other models
7	803135	Overlay	Models BT3LLFSG401UN01, BT3LLFSG401UW01, BT3LLFSG402UW01, BT3LLFSP401UN01, BT3LLFSP402UN01, BT3LLFSP401UW01 and BT3LLFSP402UW01
	803284	Overlay	Models JT1DMFSG411EN01, JT1DMFSG411EN06, JT2DMFSG411EN01 and JT2DMFSG411EN06
	803285	Overlay	Models JT1DGFSP411EW01, JT1DGFSP411EW06, JT2DGFSP411EW01 and JT2DGFSP411EW06
	802997	Overlay	Models NT1LLFSP411UW06, NT1LLFSP412UW06, NT2LLFSP401UN01, NT2LLFSP402UN01, NT2LLFSP401UW01, NT2LLFSP402UW01, NT2LLFSP401UW06, NT2LLFSP402UW06, NT3LLFSG401UW01, NT3LLFSG402UW01, NT3LLFSP401NN22, NT3LLFSP402NN22, NT3LLFSP401NW22, NT3LLFSP402NW22, NT3LLFSP401UN01, NT3LLFSP402UN01, NT3LLFSP401UW01 and NT3LLFSP402UW01
8	800930	Screw	

Electrical Access Panel, Filters and Terminal Block

Models BT3LLFSG401UN01, BT3LLFSG401UW01, BT3LLFSG402UW01, BT3LLFSP401UN01, BT3LLFSP402UN01, BT3LLFSP401UW01, BT3LLFSP402UW01, JT1DGFSP411EW01, JT1DGFSP411EW06, JT1DMFSG411EN01, JT1DMFSG411EN06, JT2DGFSP411EW01, JT2DGFSP411EW06, JT2DMFSG411EN01, JT2DMFSG411EN06, NT1LLFSP411UW06, NT1LLFSP412UW06, NT2LLFSP401UN01, NT2LLFSP402UN01, NT2LLFSP401UW01, NT2LLFSP402UW01, NT2LLFSP401UW06, NT2LLFSP402UW06, NT3LLFSG401UW01, NT3LLFSG402UW01, NT3LLFSP401NN22, NT3LLFSP402NN22, NT3LLFSP401NW22, NT3LLFSP402NW22, NT3LLFSP401UN01, NT3LLFSP402UN01, NT3LLFSP401UW01 and NT3LLFSP402UW01

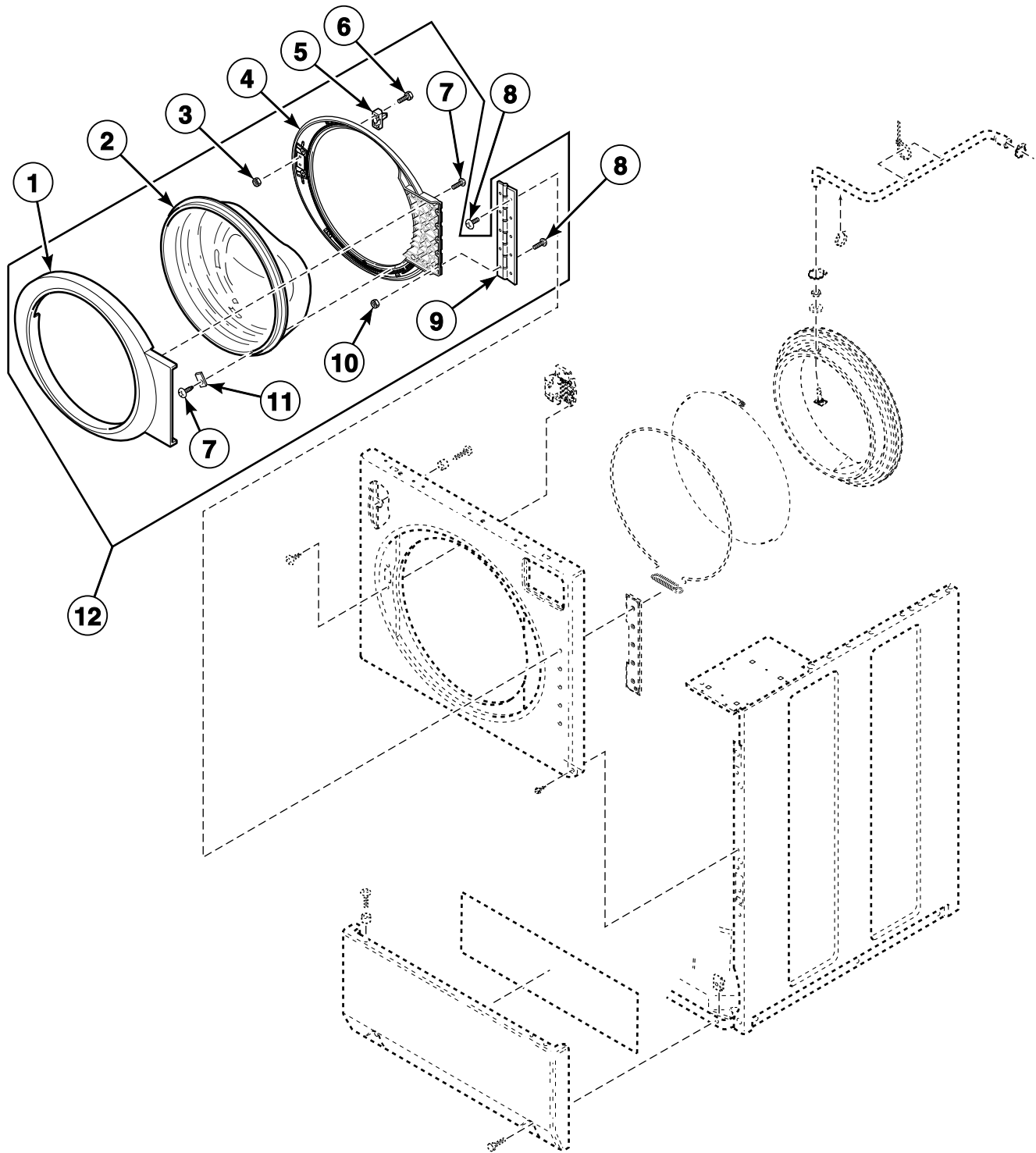


SWD1249P_803403

Electrical Access Panel, Filters and Terminal Block

REF	PART NO.	DESCRIPTION	COMMENTS
1	801756	Terminal Block Assembly	
2	503688	Screw	
3	M402542	Snap Bushing	
4	201058	Line Filter	
5	29787	Nut	
6	801311	Network Varistor Assembly	
7	505876	Terminal Block Assembly	
8	801792P	Fitting	
9	801058	Rear Control Cabinet	
10	70240301	Screw	
11	70030501	Expansion Clip	
12	503661	Screw	
13	801255P	Filter	
14	801261	Wire Harness Assembly	3 Phase power

Washer Door Assembly

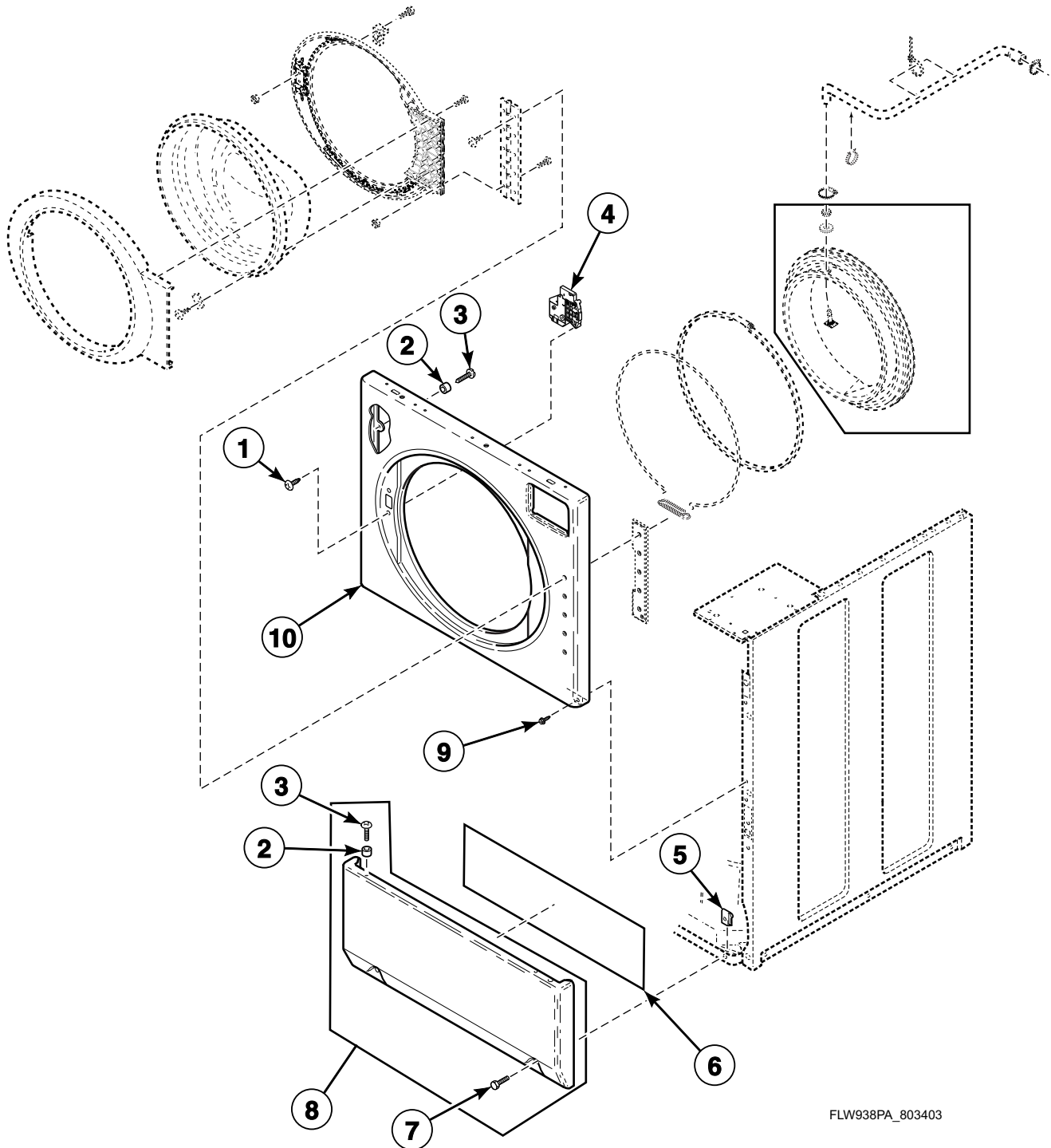


FLW938P_803403

Washer Door Assembly

REF	PART NO.	DESCRIPTION	COMMENTS
1	802314P	Outer Door Bezel Kit	Models BT3LLFSG401UN01, BT3LLFSG401UW01, BT3LLFSG402UW01, BT3LLFSP401UN01, BT3LLFSP402UN01, BT3LLFSP401UW01, BT3LLFSP402UW01, BT3LXFSG401UN01, BT3LXFSG401UW01, BT3LXFSG402UW01, BT3LXFSP401UN01, BT3LXFSP402UN01, BT3LXFSP401UW01, BT3LXFSP402UW01, JT1DMFSG411EN01, JT1DMFSG411EN06, JT2DMFSG411EN01, JT2DMFSG411EN06, NT1LXFSP401UN01, NT2LLFSP401UN01, NT2LLFSP402UN01, NT2LXFSP401UN01, NT2LXFSP402UN01, NT3LLFSP401NN22, NT3LLFSP402NN22, NT3LLFSP401UN01, NT3LLFSP402UN01, NT3LXFSP401UN01 and NT3LXFSP402UN01
	802313WP	Outer Door Bezel Kit	All other models
2	802695P	Door Glass	
3	685846	Nut	
4	802331P	Inner Door Bezel Kit	Models BT3LLFSG401UN01, BT3LLFSG401UW01, BT3LLFSG402UW01, BT3LLFSP401UN01, BT3LLFSP402UN01, BT3LLFSP401UW01, BT3LLFSP402UW01, BT3LXFSG401UN01, BT3LXFSG401UW01, BT3LXFSG402UW01, BT3LXFSP401UN01, BT3LXFSP402UN01, BT3LXFSP401UW01, BT3LXFSP402UW01, JT1DMFSG411EN01, JT1DMFSG411EN06, JT2DMFSG411EN01, JT2DMFSG411EN06, NT1LXFSP401UN01, NT2LLFSP401UN01, NT2LLFSP402UN01, NT2LXFSP401UN01, NT2LXFSP402UN01, NT3LLFSP401NN22, NT3LLFSP402NN22, NT3LLFSP401UN01, NT3LLFSP402UN01, NT3LXFSP401UN01 and NT3LXFSP402UN01
	802307P	Inner Door Bezel Kit	All other models
5	802803	Door Catch Assembly	
6	801993	Screw	
7	800548	Screw	
8	801019	Screw	
9	802934	Door Hinge	
10	23951	Nut	
11	802700	Glass Mounting Clip	
12	802872P	Door Assembly	Includes items 1-11; Models BT3LLFSG401UN01, BT3LLFSG401UW01, BT3LLFSG402UW01, BT3LLFSP401UN01, BT3LLFSP402UN01, BT3LLFSP401UW01, BT3LLFSP402UW01, BT3LXFSG401UN01, BT3LXFSG401UW01, BT3LXFSG402UW01, BT3LXFSP401UN01, BT3LXFSP402UN01, BT3LXFSP401UW01, BT3LXFSP402UW01, JT1DMFSG411EN01, JT1DMFSG411EN06, JT2DMFSG411EN01, JT2DMFSG411EN06, NT1LXFSP401UN01, NT2LLFSP401UN01, NT2LLFSP402UN01, NT2LXFSP401UN01, NT2LXFSP402UN01, NT3LLFSP401NN22, NT3LLFSP402NN22, NT3LLFSP401UN01, NT3LLFSP402UN01, NT3LXFSP401UN01 and NT3LXFSP402UN01
	802368WP	Door Assembly	Includes items 1-11; All other models

Washer Front Panel and Door Seal (Drawing 1 of 2)

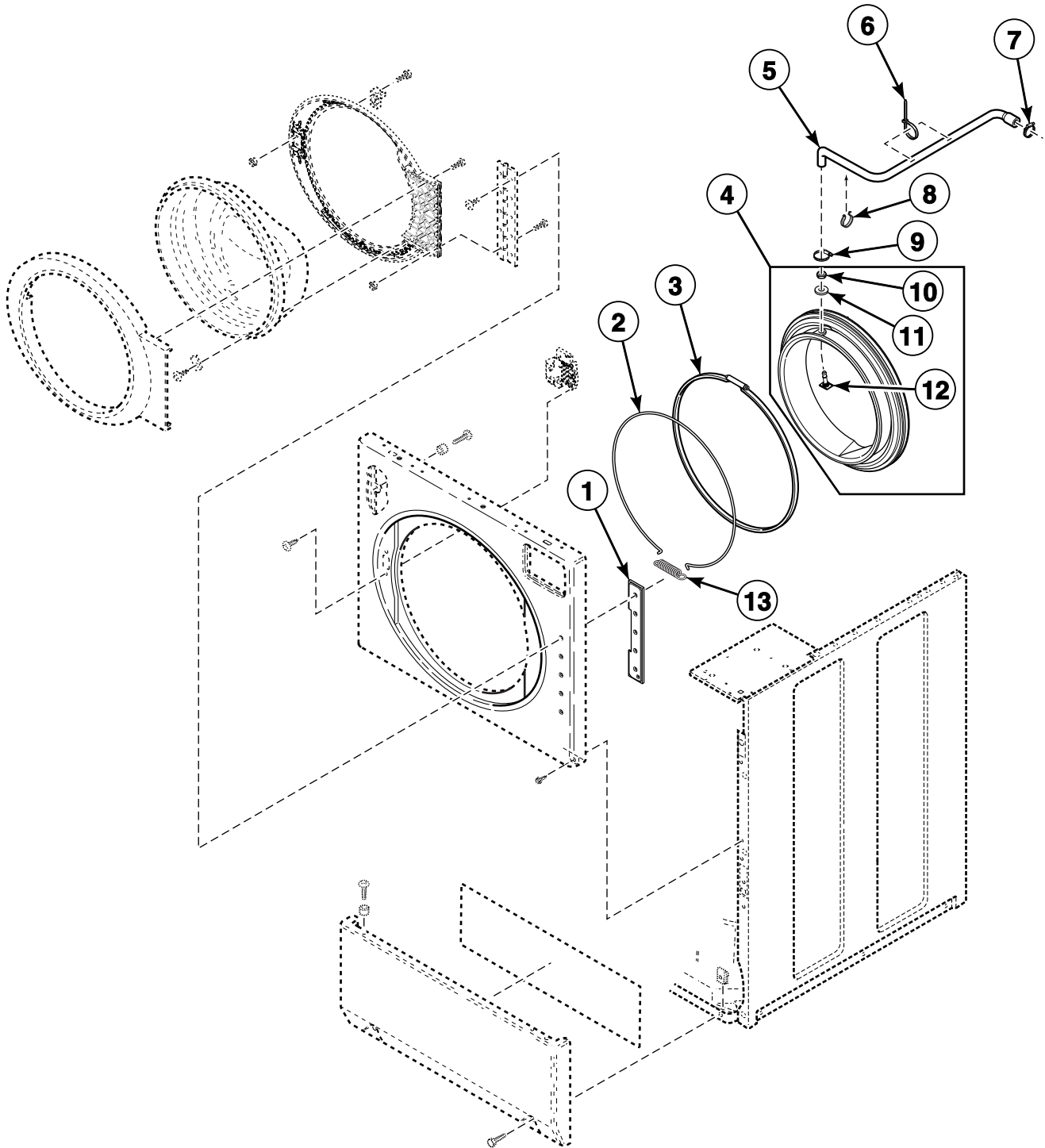


FLW938PA_803403

Washer Front Panel and Door Seal (Drawing 1 of 2)

REF	PART NO.	DESCRIPTION	COMMENTS
1	800548	Screw	
2	56079	Panel Locator	
3	512921	Screw	Models BT3LLFSG401UN01, BT3LLFSP401UN01, BT3LLFSP402UN01, BT3LXFSG401UN01, BT3LXFSP401UN01, BT3LXFSP402UN01, JT1DMFSG411EN01, JT1DMFSG411EN06, JT2DMFSG411EN01, JT2DMFSG411EN06, NT1LXFSP401UN01, NT2LLFSP401UN01, NT2LLFSP402UN01, NT2LXFSP401UN01, NT2LXFSP402UN01, NT3LLFSP401NN22, NT3LLFSP402NN22, NT3LLFSP401UN01, NT3LLFSP402UN01, NT3LXFSP401UN01 and NT3LXFSP402UN01
	39733	Screw	All other models
4	802317P	Door Latch/Switch Assembly	
5	36020	Nut	
6	685368	Access Panel Damper	
7	801045	Screw	
8	514251	Access Panel Assembly	Models BT3LLFSG401UN01, BT3LLFSP401UN01, BT3LLFSP402UN01, BT3LXFSG401UN01, BT3LXFSP401UN01, BT3LXFSP402UN01, JT1DMFSG411EN01, JT1DMFSG411EN06, JT2DMFSG411EN01, JT2DMFSG411EN06, NT1LXFSP401UN01, NT2LLFSP401UN01, NT2LLFSP402UN01, NT2LXFSP401UN01, NT2LXFSP402UN01, NT3LLFSP401NN22, NT3LLFSP402NN22, NT3LLFSP401UN01, NT3LLFSP402UN01, NT3LXFSP401UN01 and NT3LXFSP402UN01
	514250W	Access Panel Assembly	All other models
9	503661	Screw	
10	802288P	Front Panel	Models BT3LLFSG401UN01, BT3LLFSP401UN01, BT3LLFSP402UN01, BT3LXFSG401UN01, BT3LXFSP401UN01, BT3LXFSP402UN01, JT1DMFSG411EN01, JT1DMFSG411EN06, JT2DMFSG411EN01, JT2DMFSG411EN06, NT1LXFSP401UN01, NT2LLFSP401UN01, NT2LLFSP402UN01, NT2LXFSP401UN01, NT2LXFSP402UN01, NT3LLFSP401NN22, NT3LLFSP402NN22, NT3LLFSP401UN01, NT3LLFSP402UN01, NT3LXFSP401UN01 and NT3LXFSP402UN01
	802277WP	Front Panel	All other models

Washer Front Panel and Door Seal (Drawing 2 of 2)



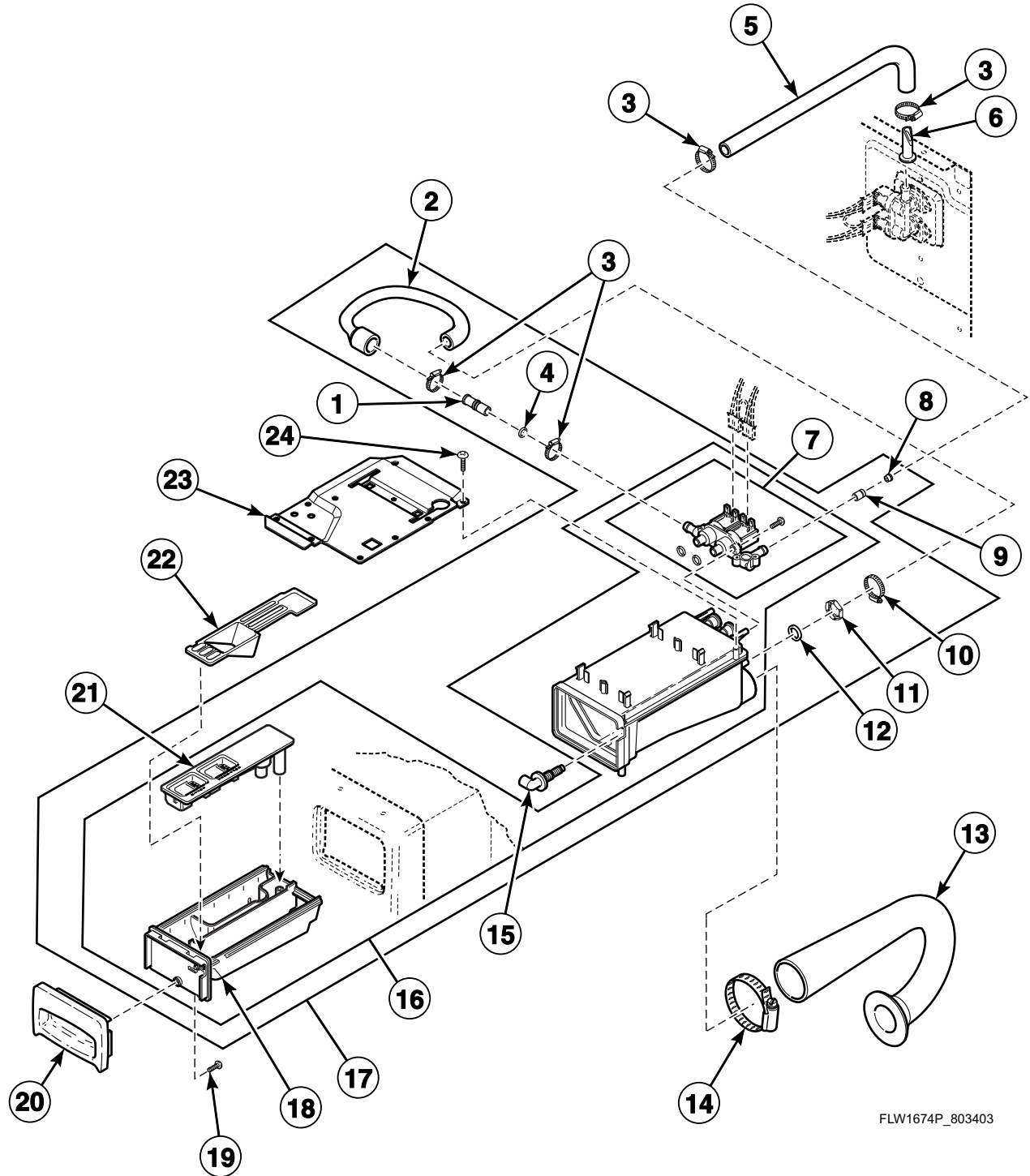
FLW938PB_803403

Washer Front Panel and Door Seal (Drawing 2 of 2)

REF	PART NO.	DESCRIPTION	COMMENTS
1	802206	Hinge Plate	
2	802283	Wire Clamp Ring	
3	802281	Hose Clamp	Seal to outer tub front
4	803554	Door Seal Assembly	Models JT1DGFSP411EW06, JT1DMFSG411EN06, JT2DGFSP411EW06, JT2DMFSG411EN06, NT1LLFSP411UW06, NT1LLFSP412UW06, NT1LXFSP402UW06, NT2LLFSP401UW06, NT2LLFSP402UW06 and NT2LXFSP402UW06
	802866P	Door Seal Assembly	Black; Includes items 10-12; All other models
	802830P	Door Seal Kit	Gray; Includes items 10-12; All other models
5	802256	Dispenser-to-Door Seal Hose	All models except JT1DGFSP411EW06, JT1DMFSG411EN06, JT2DGFSP411EW06, JT2DMFSG411EN06, NT1LLFSP411UW06, NT1LLFSP412UW06, NT1LXFSP402UW06, NT2LLFSP401UW06, NT2LLFSP402UW06 and NT2LXFSP402UW06
6	55881	Harness Strap	All models except JT1DGFSP411EW06, JT1DMFSG411EN06, JT2DGFSP411EW06, JT2DMFSG411EN06, NT1LLFSP411UW06, NT1LLFSP412UW06, NT1LXFSP402UW06, NT2LLFSP401UW06, NT2LLFSP402UW06 and NT2LXFSP402UW06
7	802164	Hose Clamp	All models except JT1DGFSP411EW06, JT1DMFSG411EN06, JT2DGFSP411EW06, JT2DMFSG411EN06, NT1LLFSP411UW06, NT1LLFSP412UW06, NT1LXFSP402UW06, NT2LLFSP401UW06, NT2LLFSP402UW06 and NT2LXFSP402UW06
8	687500	Wire Clip	All models except JT1DGFSP411EW06, JT1DMFSG411EN06, JT2DGFSP411EW06, JT2DMFSG411EN06, NT1LLFSP411UW06, NT1LLFSP412UW06, NT1LXFSP402UW06, NT2LLFSP401UW06, NT2LLFSP402UW06 and NT2LXFSP402UW06
9	802698	Hose Clamp	All models except JT1DGFSP411EW06, JT1DMFSG411EN06, JT2DGFSP411EW06, JT2DMFSG411EN06, NT1LLFSP411UW06, NT1LLFSP412UW06, NT1LXFSP402UW06, NT2LLFSP401UW06, NT2LLFSP402UW06 and NT2LXFSP402UW06
10	802292	Nut	All models except JT1DGFSP411EW06, JT1DMFSG411EN06, JT2DGFSP411EW06, JT2DMFSG411EN06, NT1LLFSP411UW06, NT1LLFSP412UW06, NT1LXFSP402UW06, NT2LLFSP401UW06, NT2LLFSP402UW06 and NT2LXFSP402UW06
11	802293	Washer	All models except JT1DGFSP411EW06, JT1DMFSG411EN06, JT2DGFSP411EW06, JT2DMFSG411EN06, NT1LLFSP411UW06, NT1LLFSP412UW06, NT1LXFSP402UW06, NT2LLFSP401UW06, NT2LLFSP402UW06 and NT2LXFSP402UW06
12	802291	Boot Nozzle	All models except JT1DGFSP411EW06, JT1DMFSG411EN06, JT2DGFSP411EW06, JT2DMFSG411EN06, NT1LLFSP411UW06, NT1LLFSP412UW06, NT1LXFSP402UW06, NT2LLFSP401UW06, NT2LLFSP402UW06 and NT2LXFSP402UW06
13	802285	Extension Spring	

Dispenser Assembly (Drawing 1 of 3)

Models JT1DGFSP411EW06, JT1DMFSG411EN06, JT2DGFSP411EW06, JT2DMFSG411EN06,
NT1LLFSP411UW06, NT1LLFSP412UW06, NT1LXFSP402UW06, NT2LLFSP401UW06,
NT2LLFSP402UW06 and NT2LXFSP402UW06



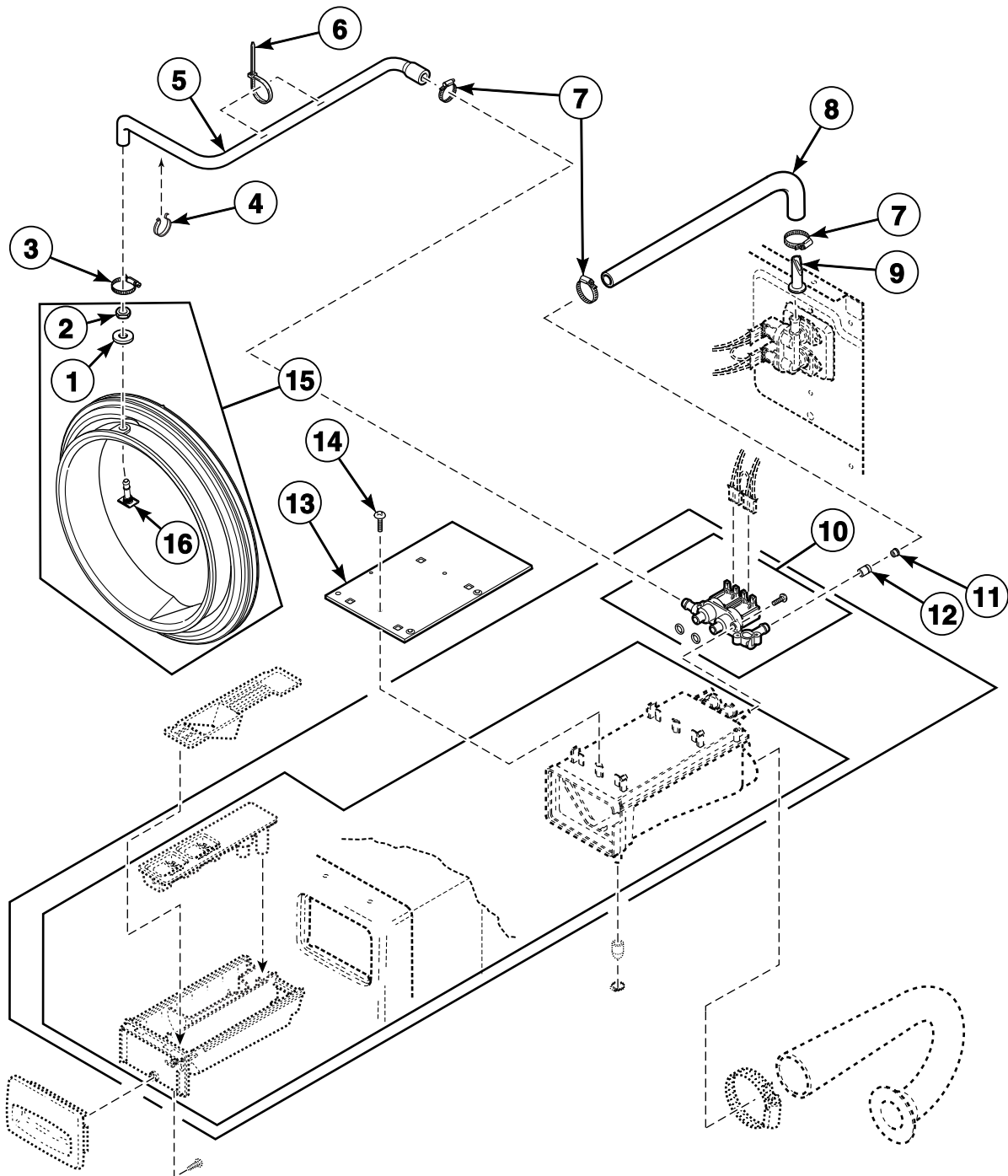
FLW1674P_803403

Dispenser Assembly (Drawing 1 of 3)

REF	PART NO.	DESCRIPTION	COMMENTS
1	803544	Orifice	
2	803440	Dispenser-to-Air Gap Hose	
3	802164	Hose Clamp	
4	803545	O-Ring	
5	801464	Valve-to-Dispenser Inlet Hose	
6	34500	Backflow Preventer	
7	801836P	Valve Kit	
8	803230	Flow Regulator	
9	803231	Spacer	
10	802698	Hose Clamp	
11	M404993	Nut	
12	F170208	O-Ring	
13	800331	Dispenser-to-Tub Hose	
14	685725	Hose Clamp	
15	F8322001	Injection Nozzle	
16	803441	Dispenser Assembly	Includes items 7, 18 and 21
17	803546	Dispenser Assembly	Includes items 1-4, 7-12, 15, 16 and 21
18	685757P	Dispenser Drawer	
19	800548	Screw	
20	803318	Dispenser Handle	Models JT1DMFSG411EN06 and JT2DMFSG411EN06
	803329W	Dispenser Handle	All other models
21	685716	Insert	
22	800899	Detergent Cover	
23	801024	Dispenser Plate	
24	801001	Screw	

Dispenser Assembly (Drawing 2 of 3)

All Models Except JT1DGFSP411EW06, JT1DMFSG411EN06, JT2DGFSP411EW06,
JT2DMFSG411EN06, NT1LLFSP411UW06, NT1LLFSP412UW06, NT1LXFSP402UW06,
NT2LLFSP401UW06, NT2LLFSP402UW06 and NT2LXFSP402UW06



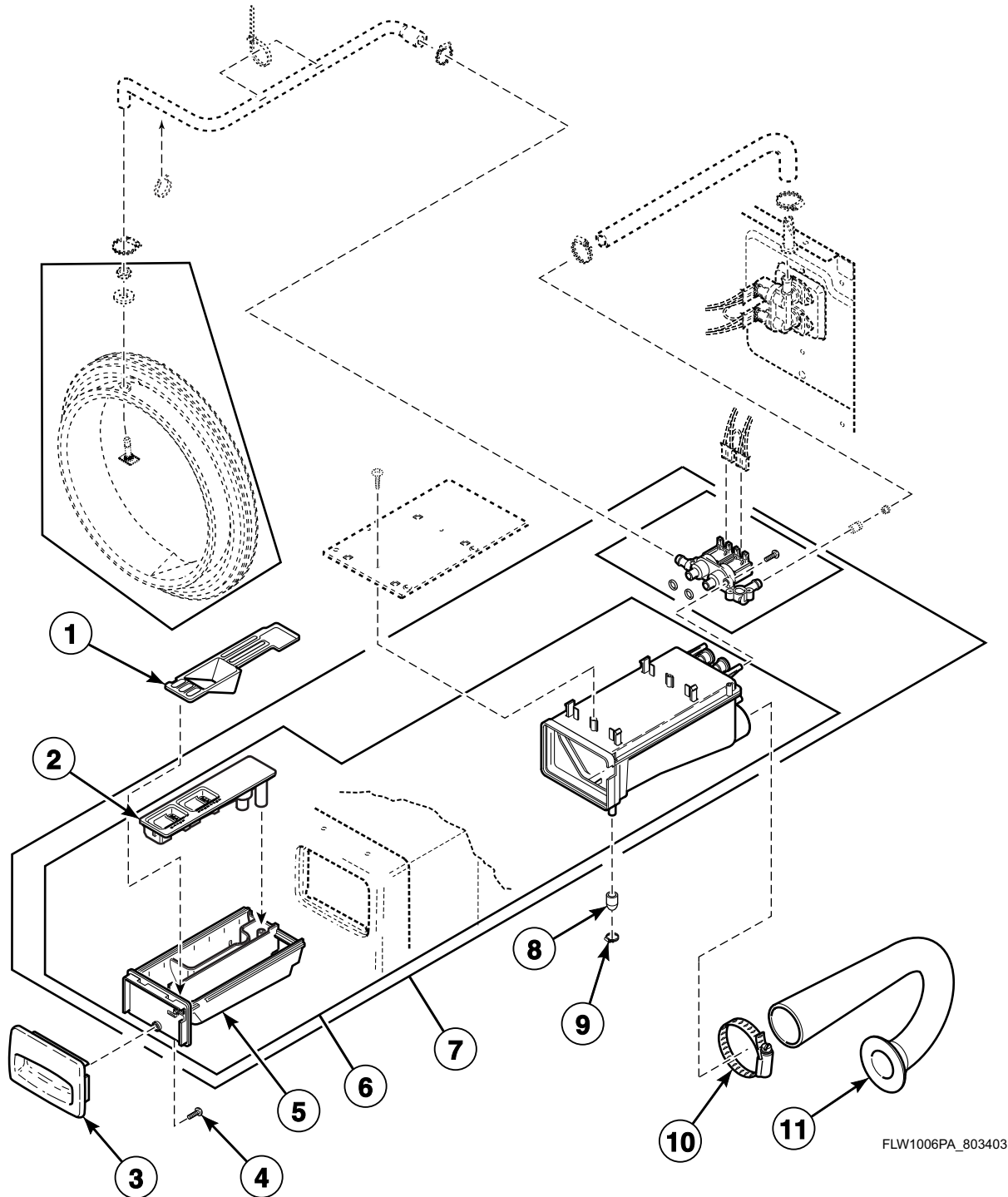
FLW1006P_803403

Dispenser Assembly (Drawing 2 of 3)

REF	PART NO.	DESCRIPTION	COMMENTS
1	802293	Washer	
2	802292	Nut	
3	802698	Hose Clamp	
4	687500	Wire Clip	
5	802256	Dispenser-to-Door Seal Hose	
6	39037	Cable Tie	
7	802164	Hose Clamp	
8	801464	Valve-to-Dispenser Inlet Hose	
9	34500	Backflow Preventer	
10	685766P	Valve Kit	Models HTELCFSP281CW01, HTELCFSP291CW01, HTELYFSP281CW01, HTELYFSP291CW01, HTENXFSP281CW01, HTENXFSP282CW01, HTENXFSP291CW01, HTENXFSP292CW01, HTENYFSP281CW01, HTENYFSP282CW01, HTENYFSP291CW01, HTENYFSP292CW01, HTGLXFSP091CW01, HTGNXFSP091CW01, HTGNXFSP092CW01, STELCFSP171TW01, STELCFSP171TW01, STELYFSP171TW01, STENCFSP171TW01, STENCFSP172TW01, STENXFSP171TW01, STENXFSP172TW01, STENYFSP171TW01, STENYFSP172TW01, STGLCFSP111TW01, STGLCFSP111TWNA, STGLXFSG111TW01, STGLXFSP111TW01, STGLYFSP111TW01, STGLYFSP111TWNA, STGNCFSP111TW01, STGNCFSP112TW01, STGNXFSG111TW01, STGNXFSG112TW01, STGNXFSP111TW01, STGNXFSP112TW01, STGNYFSP111TW01 and STGNYFSP112TW01
	801836P	Valve Kit	All other models
11	803230	Flow Regulator	Models JT1DEFSP411EW01, JT1DGFSP411EW01, JT1DMFSG411EN01, JT1DXFSP411EW01, JT2DEFSP411EW01, JT2DGFSP411EW01, JT2DMFSG411EN01, JT2DXFSP411EW01, JTEDEFSP301EW01, JTEDXFSP301EW01, JTGDEFSP301EW01 and JTGDXFSP301EW01
12	803231	Spacer	Models JT1DEFSP411EW01, JT1DGFSP411EW01, JT1DMFSG411EN01, JT1DXFSP411EW01, JT2DEFSP411EW01, JT2DGFSP411EW01, JT2DMFSG411EN01, JT2DXFSP411EW01, JTEDEFSP301EW01, JTEDXFSP301EW01, JTGDEFSP301EW01 and JTGDXFSP301EW01
13	801024	Dispenser Plate	
14	801001	Screw	
15	802866P	Door Seal Assembly	Black; Includes items 1, 2 and 16
	802830P	Door Seal Kit	Gray; Includes items 1, 2 and 16
16	802291	Boot Nozzle	

Dispenser Assembly (Drawing 3 of 3)

All Models Except JT1DGFSP411EW06, JT1DMFSG411EN06, JT2DGFSP411EW06,
JT2DMFSG411EN06, NT1LLFSP411UW06, NT1LLFSP412UW06, NT1LXFSP402UW06,
NT2LLFSP401UW06, NT2LLFSP402UW06 and NT2LXFSP402UW06

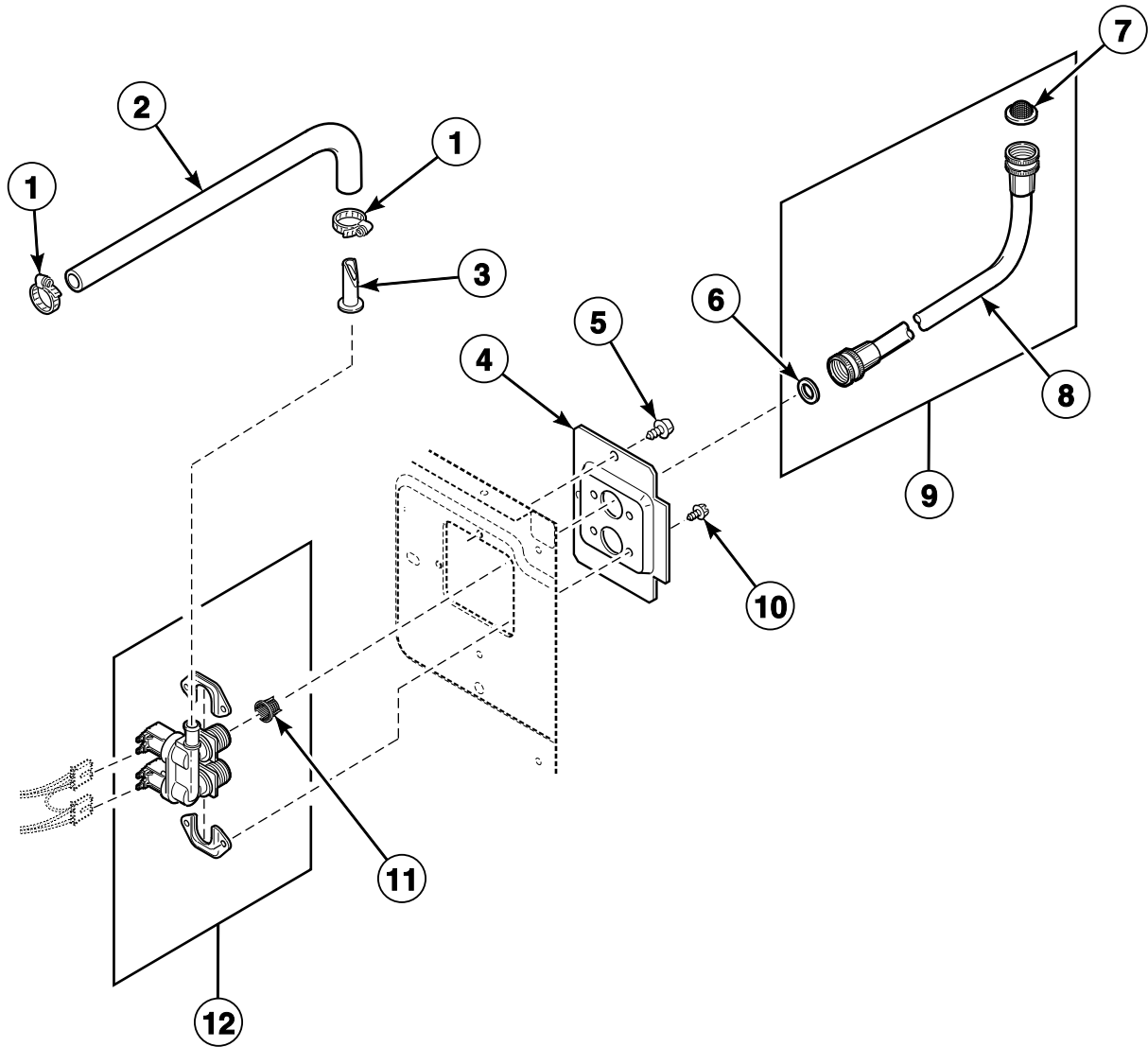


FLW1006PA_803403

Dispenser Assembly (Drawing 3 of 3)

REF	PART NO.	DESCRIPTION	COMMENTS
1	800899	Detergent Cover	
2	685716	Insert	
3	803318	Dispenser Handle	Models JT1DMFSG411EN01 and JT2DMFSG411EN01
	803329W	Dispenser Handle	Models JT1DEFSP411EW01, JT1DGFSP411EW01, JT1DXFSP411EW01, JT2DEFSP411EW01, JT2DGFSP411EW01, JT2DXFSP411EW01, JTEDEFSP301EW01, JTEDXFSP301EW01, JTGDEFSP301EW01 and JTGDXFSP301EW01
	802879P	Dispenser Handle	Models BT3LLFSG401UN01, BT3LLFSP401UN01, BT3LLFSP402UN01, BT3LXFSG401UN01, BT3LXFSP401UN01, BT3LXFSP402UN01, NT1LXFSP401UN01, NT2LLFSP401UN01, NT2LLFSP402UN01, NT2LXFSP401UN01, NT2LXFSP402UN01, NT3LLFSP401NN22, NT3LLFSP402NN22, NT3LLFSP401UN01, NT3LLFSP402UN01, NT3LXFSP401UN01 and NT3LXFSP402UN01
	685715WP	Dispenser Drawer Front	All other models
4	800548	Screw	
5	685757P	Dispenser Drawer	
6	801476P	Dispenser Assembly	Includes items 2 and 5
7	685756P	Dispenser	Includes items 2, 6 and 685766P Valve Kit; Models HTELYFSP281CW01, HTELYFSP291CW01, HTELYFSP281CW01, HTELYFSP291CW01, HTENXFSP281CW01, HTENXFSP282CW01, HTENXFSP291CW01, HTENXFSP292CW01, HTENYFSP281CW01, HTENYFSP282CW01, HTENYFSP291CW01, HTENYFSP292CW01, HTGLXFSP091CW01, HTGNXFSP091CW01, HTGNXFSP092CW01, STELCFSP171TW01, STELYFSP171TW01, STENCFSP171TW01, STENCFSP172TW01, STENXFSP171TW01, STENXFSP172TW01, STENYFSP171TW01, STENYFSP172TW01, STGLCFSP111TW01, STGLCFSP111TWNA, STGLXFSG111TW01, STGLXFSP111TW01, STGLYFSP111TW01, STGLYFSP111TWNA, STGNCFSP111TW01, STGNCFSP112TW01, STGNXFSG111TW01, STGNXFSG112TW01, STGNXFSP111TW01, STGNXFSP112TW01, STGNYFSP111TW01 and STGNYFSP112TW01
	801090P	Dispenser	Includes items 2, 6 and 801836P Valve Kit; All other models
8	801746	Cap	
9	F200206	Hose Clamp	
10	685725	Hose Clamp	
11	800331	Dispenser-to-Tub Hose	

Mixing Valve, Valve-to-Dispenser Inlet Hose and Fill Hose



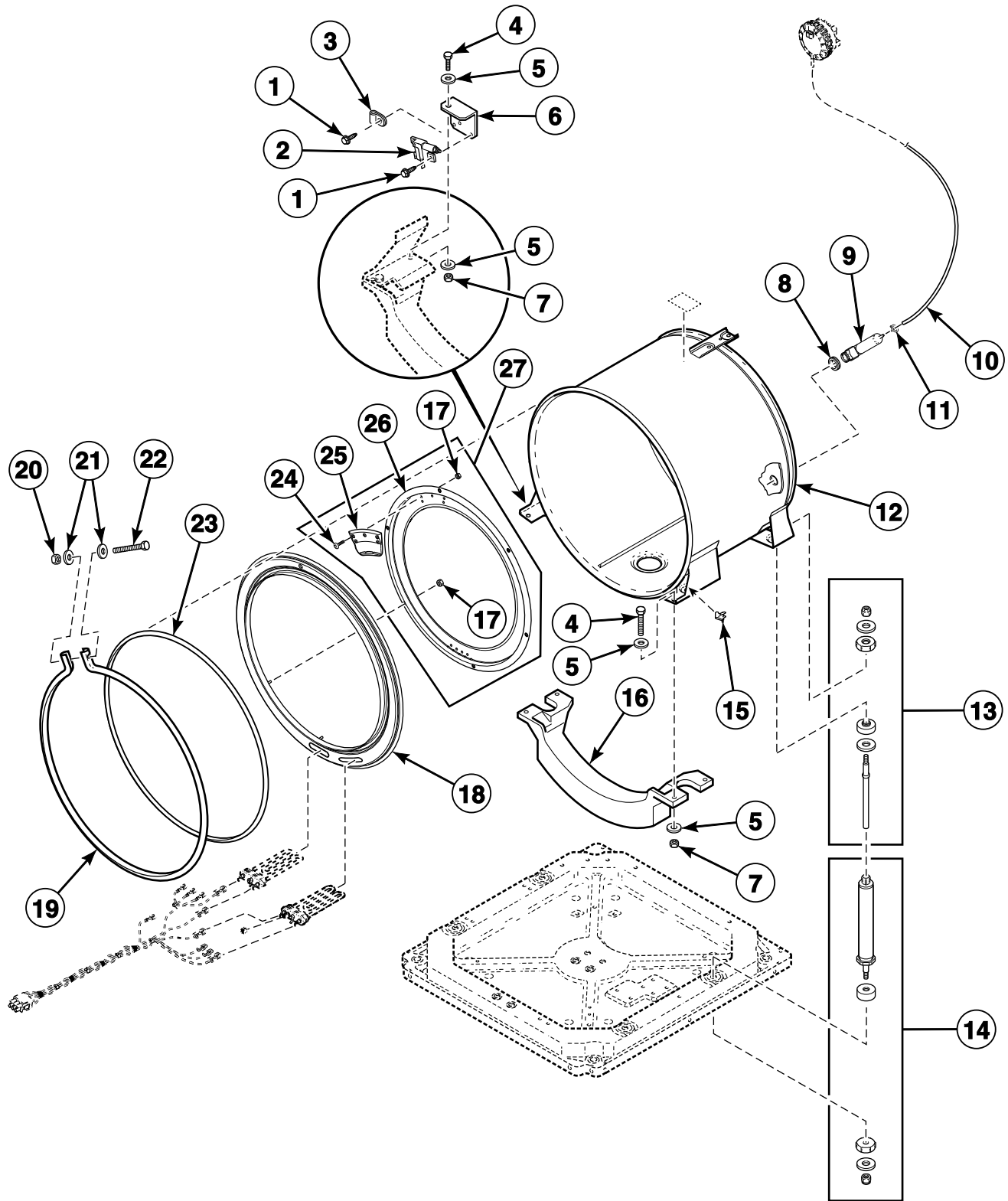
FLW881P_803403

Mixing Valve, Valve-to-Dispenser Inlet Hose and Fill Hose

REF	PART NO.	DESCRIPTION	COMMENTS
1	802164	Hose Clamp	
2	801464	Valve-to-Dispenser Inlet Hose	
3	34500	Backflow Preventer	
4	800323	Mixing Valve Plate	
5	503661	Screw	
6	20290	Washer	
7	803615	Washer	Filter screen
	802254	Washer	Flow restrictor; Water pressure reducer; Available for water pressure up to but not exceeding 120 psi
8	202931	Fill Hose	Models STELXFSP431AW01, STELXFSP432AW01, STEWYFSP302NW25 and STGLXFSP302AW01
	20617	Fill Hose	8 feet; Hose is equipped with 2 standard hose couplings; All other models
	20618	Fill Hose	10 feet; Hose is equipped with 2 standard hose couplings; All other models
	37380	Fill Hose	8 feet; Hose is equipped with 1 metric and 1 standard hose coupling; All other models
	37381	Fill Hose	10 feet; Hose is equipped with 1 metric and 1 standard hose coupling; All other models
	38349P	Fill Hose Kit	5 feet; Hose is equipped with 1 metric and 1 standard hose coupling; Includes 2 of item 6; All other models
9	F200116	Water Hose	5 feet; Hose is equipped with 2 standard hose couplings; Includes items 6 and 7
10	501086	Screw	
11	802926	Mixing Valve Screen	
12	802220P	Mixing Valve	Models HTELXFSP281CW01, HTELYFSP291CW01, HTELYFSP281CW01, HTELYFSP291CW01, HTENXFSP281CW01, HTENXFSP282CW01, HTENXFSP291CW01, HTENXFSP292CW01, HTENYFSP281CW01, HTENYFSP282CW01, HTENYFSP291CW01, HTENYFSP292CW01, HTGLXFSP091CW01, HTGNXFSP091CW01, HTGNXFSP092CW01, STELCFSP171TW01, STELXFSP171TW01, STELYFSP171TW01, STENCFSP171TW01, STENCFSP172TW01, STENXFSP171TW01, STENXFSP172TW01, STENYFSP171TW01, STENYFSP172TW01, STGLCFSP111TW01, STGLCFSP111TWNA, STGLXFSG111TW01, STGLXFSP111TW01, STGLYFSP111TW01, STGLYFSP111TWNA, STGNCFSP111TW01, STGNCFSP112TW01, STGNXFSG082JW01, STGNXFSG111TW01, STGNXFSG112TW01, STGNXFSP111TW01, STGNXFSP112TW01, STGNXFSP111TW01 and STGNXFSP112TW01
	802222P	Mixing Valve	All other models

Outer Tub, Front and Clamp Ring

Models Beginning with HTE, HTG, JTE, JTG, STE, STG and STL



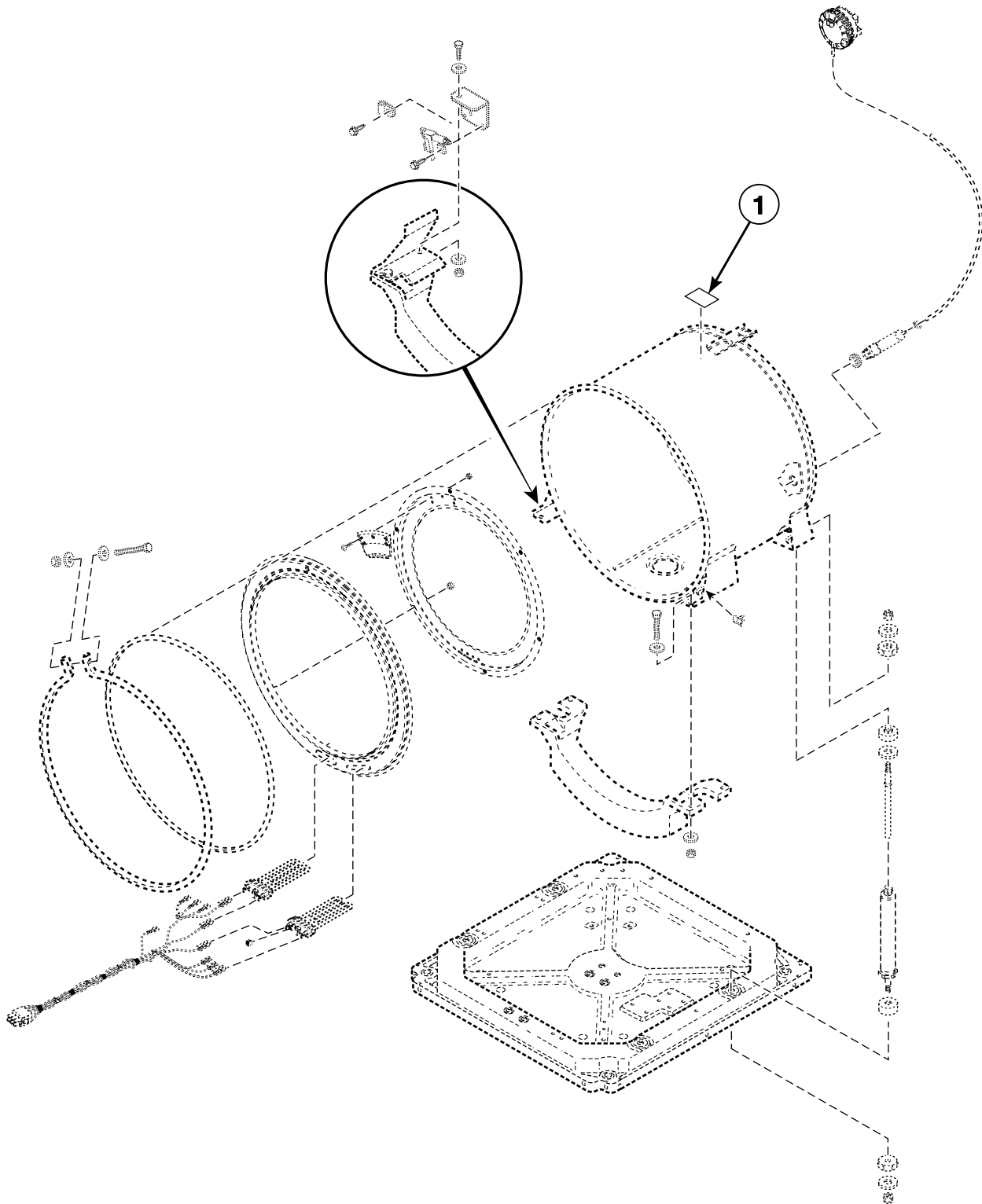
FLW1012P_803403

Outer Tub, Front and Clamp Ring

REF	PART NO.	DESCRIPTION	COMMENTS
1	503661	Screw	
2	801006	Out-of-Balance Switch Assembly	Models through Serial No. 1201004551
	803415	Out-of-Balance Switch Assembly	Models starting Serial No. 1201004552
3	800811	Wire Clamp	
4	800461	Screw	
5	M400081	Washer	
6	800663	Switch Mounting Bracket	Models through Serial No. 1201004551
	803388	Switch Mounting Bracket	Models starting Serial No. 1201004552
7	800452	Nut	
8	29175	Grommet	
9	30907	Pressure Bulb	
10	800648P	Tubing	
11	39282	Hose Clamp	
12	801081P	Outer Tub Assembly	
13	800622P	Tub Shock Absorber Kit	
14	802881P	Base Shock Absorber Kit	Must replace all 4
15	00161	Grounding Clip	
16	800205	Ballast Weight	
17	802343	Nut	
18	802258	Tub Front Assembly	
19	800312	Clamp Ring	
20	F430218	Nut	
21	800457	Washer	
22	800462	Screw	
23	800432P	Tub Front Seal	
24	802596	Screw	
25	804174P	Clothes Guard Deflector	
	804482	Clothes Guard Deflector	Heavy duty
26	803537	Clothes Guard	
27	804560P	Clothes Guard and Deflector Kit	Includes items 7, 17 and 21-26

Warning Label for Outer Tub Assembly

Models Beginning with HTE, HTG, JTE, JTG, STE, STG and STL



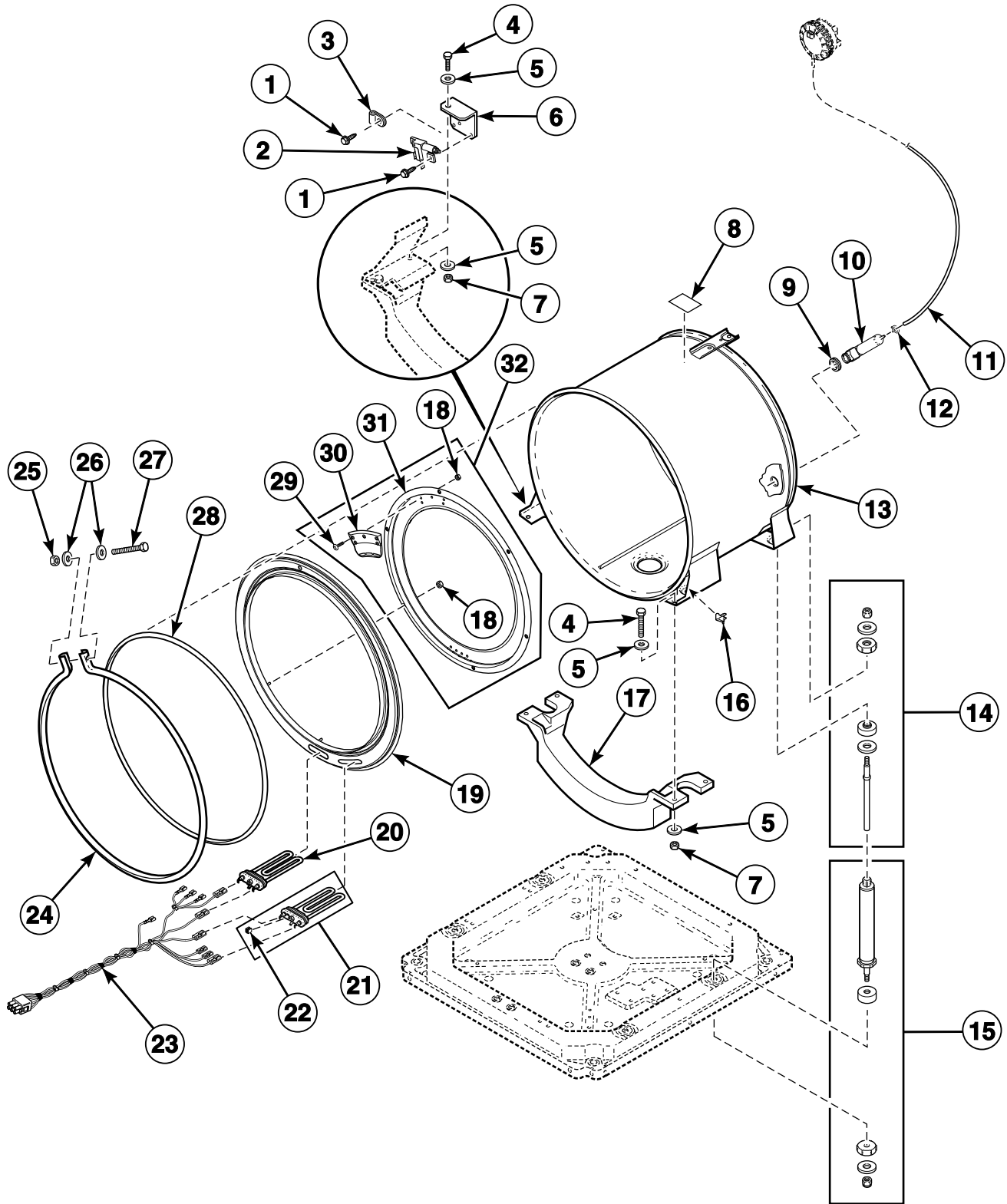
FLW1012PB_803403

Warning Label for Outer Tub Assembly

REF	PART NO.	DESCRIPTION	COMMENTS
1	500314	Warning Label	Models HTELCFSP281CW01, HTELCFSP291CW01, HTELYFSP281CW01, HTELYFSP291CW01, HTENXFSP281CW01, HTENXFSP282CW01, HTENXFSP291CW01, HTENXFSP292CW01, HTENYFSP281CW01, HTENYFSP282CW01, HTENYFSP291CW01, HTENYFSP292CW01, HTGLXFSP091CW01, HTGNXFSP091CW01 and HTGNXFSP092CW01
	500049	Warning Label	Models STELCFSP171TW01, STELCFSP171TW01, STELYFSP171TW01, STENCFSP171TW01, STENCFSP172TW01, STENXFSP171TW01, STENXFSP172TW01, STENYFSP171TW01, STENYFSP172TW01, STGLCFSP111TW01, STGLCFSP111TWNA, STGLXFSG111TW01, STGLXFSP111TW01, STGLYFSP111TW01, STGLYFSP111TWNA, STGNCFSP111TW01, STGNCFSP112TW01, STGNXFSG082JW01, STGNXFSG111TW01, STGNXFSG112TW01, STGNXFSP111TW01, STGNXFSP112TW01, STGNYFSP111TW01 and STGNYFSP112TW01
	F8211201	Electrical Shock Label	Models JTEDEFSP301EW01, JTEDXFSP301EW01, JTGDEFSP301EW01, JTGDXFSP301EW01, STELCFSP431AW01, STELCFSP432AW01, STEWYFSP302NW25, STGLXFSP301AW01, STGLXFSP302AW01, STLNXFSP542NW23, STLNYFSP541NW23 and STLNYFSP542NW23
	F8211301	Pinched Fingers Label	Models JTEDEFSP301EW01, JTEDXFSP301EW01, JTGDEFSP301EW01, JTGDXFSP301EW01, STELCFSP431AW01, STELCFSP432AW01, STGLXFSP301AW01, STGLXFSP302AW01, STLNXFSP542NW23, STLNYFSP541NW23 and STLNYFSP542NW23

Outer Tub, Front, Clamp Ring and Heating Element

Models Beginning with BT3, JT1, JT2, NT1, NT2, NT3, NTH and ST3

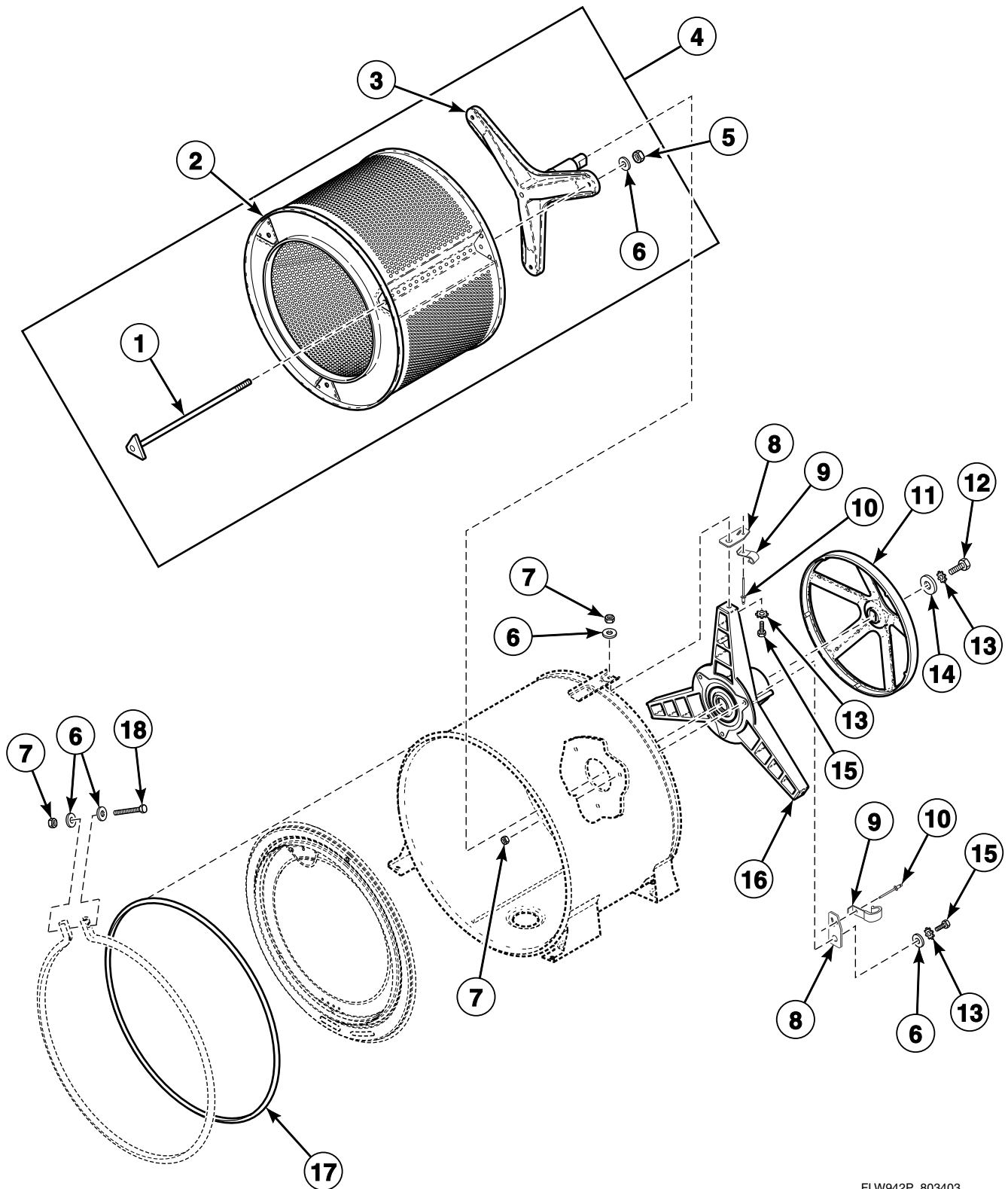


FLW1012PA_803403

Outer Tub, Front, Clamp Ring and Heating Element

REF	PART NO.	DESCRIPTION	COMMENTS
1	503661	Screw	
2	801006	Out-of-Balance Switch Assembly	Models through Serial No. 1201004551
	803415	Out-of-Balance Switch Assembly	Models starting Serial No. 1201004552
3	800811	Wire Clamp	
4	800461	Screw	
5	M400081	Washer	
6	800663	Switch Mounting Bracket	Models through Serial No. 1201004551
	803388	Switch Mounting Bracket	Models starting Serial No. 1201004552
7	800452	Nut	
8	500049	Warning Label	Models ST3LXFSP401NW22 and ST3LXFSP402NW22
	F8211201	Electrical Shock Label	All other models
	F8211301	Pinched Fingers Label	All other models
9	29175	Grommet	
10	30907	Pressure Bulb	
11	803280	Tubing	
12	39282	Hose Clamp	
13	801291	Outer Tub Assembly	
14	800622P	Tub Shock Absorber Kit	
15	802881P	Base Shock Absorber Kit	Must replace all 4
16	00161	Grounding Clip	
17	800205	Ballast Weight	
18	802343	Nut	
19	802260	Tub Front Assembly	Models through Serial No. 1001000989
	803494	Tub Front Assembly	Models starting Serial No. 1001000990
20	803558P	Heating Element Kit	
21	803557P	Heating Element Kit	Includes item 22
22	803256	Thermistor	
23	802323P	Heater Harness	Models through Serial No. 1001000989
	803492	Heater Harness	Models starting Serial No. 1001000990
24	800312	Clamp Ring	
25	F430218	Nut	
26	800457	Washer	
27	800462	Screw	
28	800432P	Tub Front Seal	
29	802596	Screw	
30	804174P	Clothes Guard Deflector	
	804482	Clothes Guard Deflector	Heavy duty
31	803537	Clothes Guard	
32	804560P	Clothes Guard and Deflector Kit	Includes items 7, 18 and 26-31

Inner Basket, Trunnion, Bearing Housing and Pulley

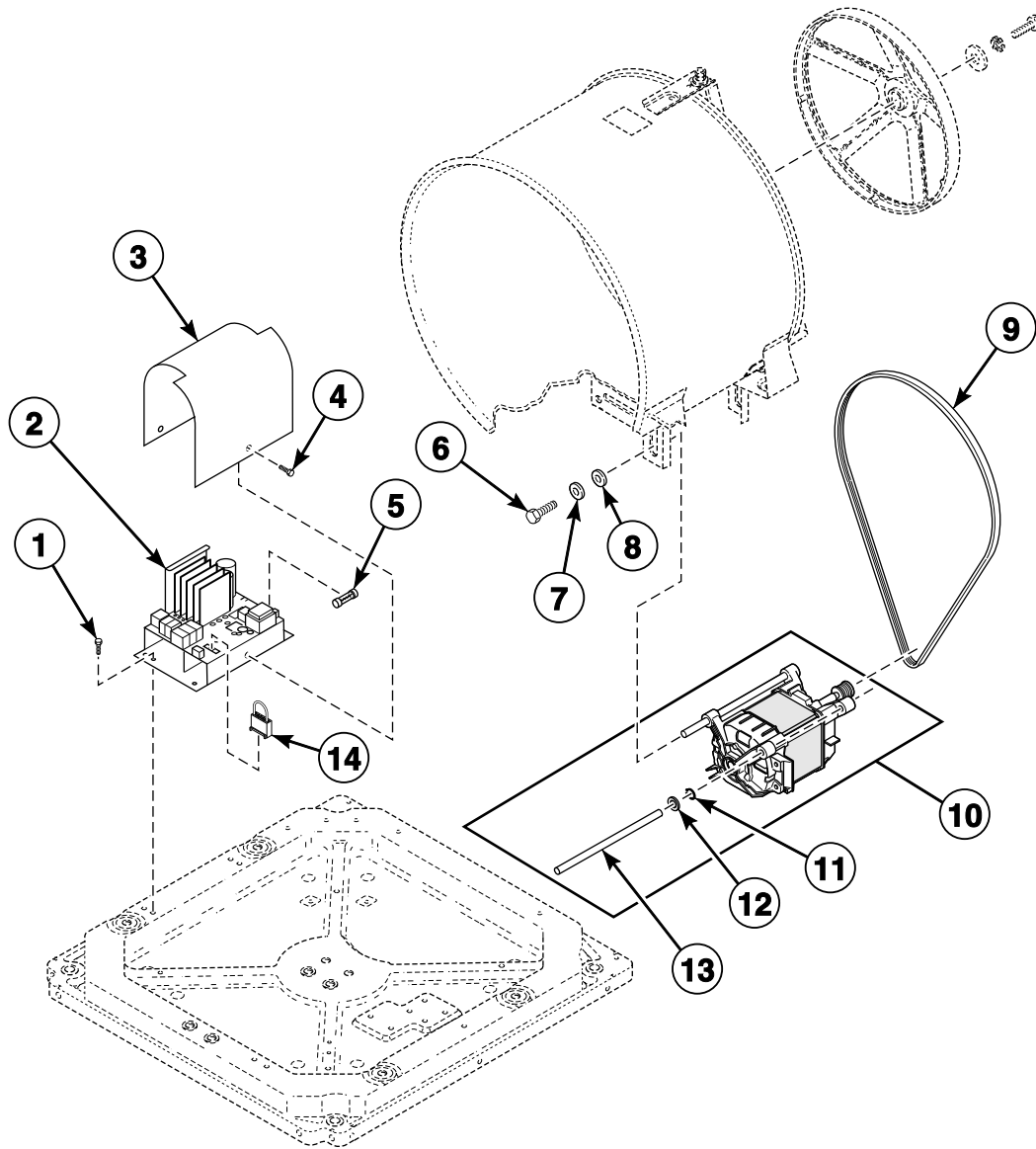


FLW942P_803403

Inner Basket, Trunnion, Bearing Housing and Pulley

REF	PART NO.	DESCRIPTION	COMMENTS
	27604P	Anti-Seize Compound	Pulley to inner basket shaft
	838P3	Hardware Kit	Includes (8) of item 6, (7) each of items 7 and 13, (6) of item 10, (1) each of items 12, 14, 17, 18 and 27604P Anti-Seize Compound
	RB160001	Bearing Kit	
1	800666	Tension Rod Assembly	
2	803008P	Inner Basket Assembly	
3	800749P	Trunnion Shaft and Hardware Kit	Includes (3) each of items 1, 5, 6, and 838P3 Hardware Kit
4	802365P	Inner Basket Assembly	
5	803017	Nut	
6	800457	Washer	
7	F430218	Nut	
8	800552	Hose Mounting Plate	
9	800553	Hose Clip	
10	685847	Pop Rivet	
11	800866	Driven Pulley	
12	685831	Screw	Left hand thread
13	M403958	Washer	
14	800464	Washer	
15	M400043	Screw	
16	800428P	Bearing Housing Kit	Includes 838P3 Hardware Kit
17	800432P	Tub Front Seal	
18	800462	Screw	

Washer Motor and Belt



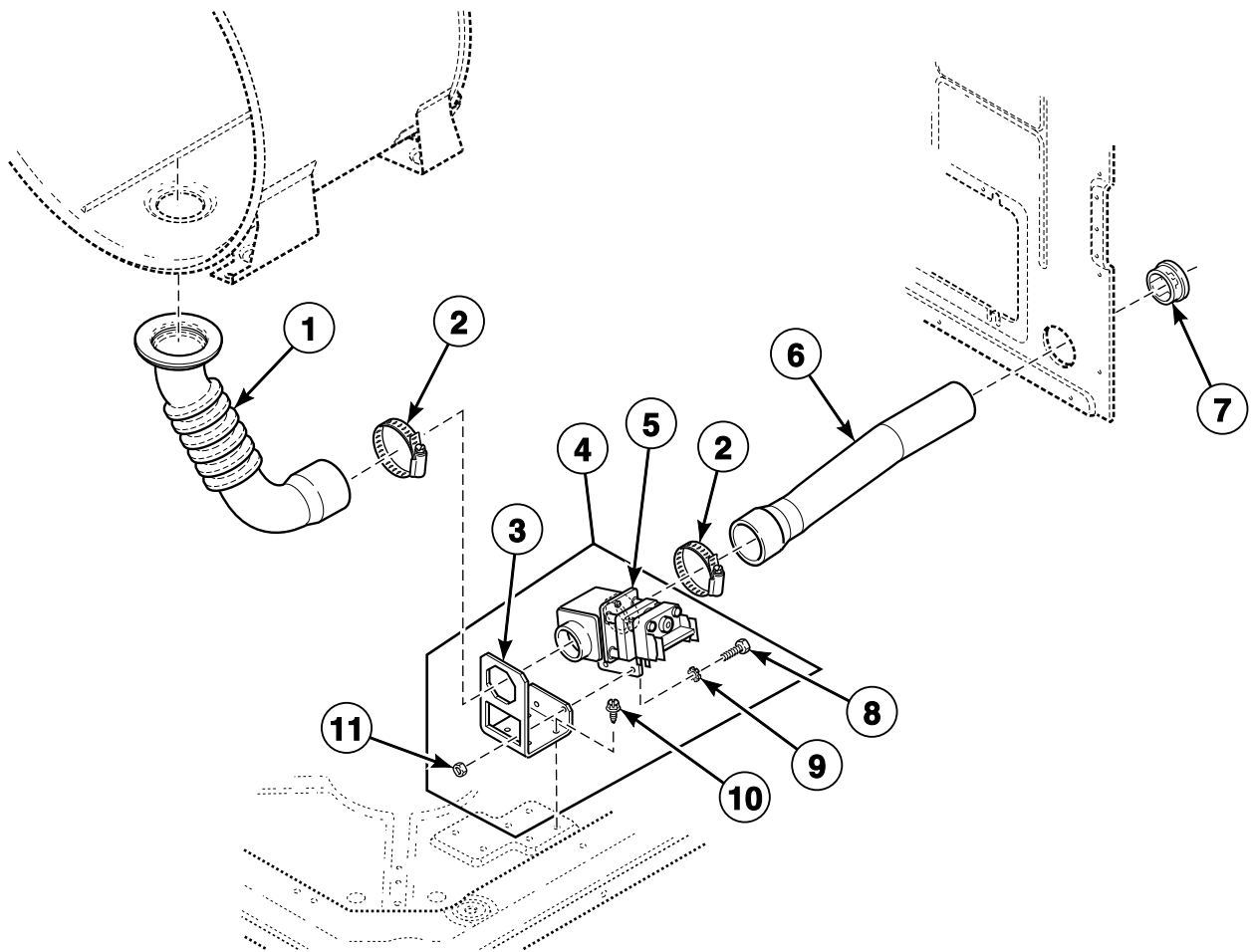
FLW1022P_803403

Washer Motor and Belt

REF	PART NO.	DESCRIPTION	COMMENTS
1	503661	Screw	
2	803254P	Inverter Control Assembly	120 Volt; Models HTELCFSP281CW01, HTELCFSP291CW01, HTELYFSP281CW01, HTELYFSP291CW01, HTENXFSP281CW01, HTENXFSP282CW01, HTENXFSP291CW01, HTENXFSP292CW01, HTENYFSP281CW01, HTENYFSP282CW01, HTENYFSP291CW01, HTENYFSP292CW01, HTGLXFSP091CW01, HTGNXFSP091CW01, HTGNXFSP092CW01, STELCFSP171TW01, STELCFSP171TW01, STELYFSP171TW01, STENCFSP171TW01, STENCFSP172TW01, STENXFSP171TW01, STENXFSP172TW01, STENYFSP171TW01, STENYFSP172TW01, STGLCFSP111TW01, STGLCFSP111TWNA, STGLXFSG111TW01, STGLXFSP111TW01, STGLYFSP111TW01, STGLYFSP111TWNA, STGNCFSP111TW01, STGNCFSP112TW01, STGNXFSG082JW01, STGNXFSG111TW01, STGNXFSG112TW01, STGNXFSP111TW01, STGNXFSP112TW01, STGNYFSP111TW01 and STGNYFSP112TW01
	803255P	Inverter Control Assembly	240 Volt; All other models
3	804738	Control Shield	Models STELCFSP431AW01, STELCFSP432AW01, STGLXFSP301AW01 and STGLXFSP302AW01
	801061	Control Shield	All other models
4	501524	Screw	
5	801755	Fuse	10 Amp
6	M400057	Screw	
7	02834	Washer	
8	M400080	Washer	
9	800319P	Drive Belt	
10	801684P	Motor and Rod Assembly Kit	Includes 2 each of items 11-13 and wire ties
11	23748	Retaining Ring	
12	52549	Washer	
13	801062	Motor Mount Rod	
14	513268	Jumper Harness	Use to limit spin RPM on inverter controls starting Serial No. 0911014603; 120 Volt; Models HTELCFSP281CW01, HTELCFSP291CW01, HTELYFSP281CW01, HTELYFSP291CW01, HTENXFSP281CW01, HTENXFSP282CW01, HTENXFSP291CW01, HTENXFSP292CW01, HTENYFSP281CW01, HTENYFSP282CW01, HTENYFSP291CW01, HTENYFSP292CW01, HTGLXFSP091CW01, HTGNXFSP091CW01, HTGNXFSP092CW01, STELCFSP171TW01, STELCFSP171TW01, STELYFSP171TW01, STENCFSP171TW01, STENCFSP172TW01, STENXFSP171TW01, STENXFSP172TW01, STENYFSP171TW01, STENYFSP172TW01, STGLCFSP111TW01, STGLCFSP111TWNA, STGLXFSG111TW01, STGLXFSP111TW01, STGLYFSP111TW01, STGLYFSP111TWNA, STGNCFSP111TW01, STGNCFSP112TW01, STGNXFSG082JW01, STGNXFSG111TW01, STGNXFSG112TW01, STGNXFSP111TW01, STGNXFSP112TW01, STGNYFSP111TW01 and STGNYFSP112TW01
	513316	Jumper Harness	Use to limit spin RPM on inverter controls starting Serial No. 0911014603; 240 Volt; All other models

Drain Hoses and Valve

Models BT3LLFSG401UN01, BT3LLFSG401UW01, BT3LLFSG402UW01, BT3LXFSG401UN01, BT3LXFSG401UW01, BT3LXFSG402UW01, JT1DMFSG411EN01, JT1DMFSG411EN06, JT2DMFSG411EN01, JT2DMFSG411EN06, NT3LLFSG401UW01, NT3LLFSG402UW01, NT3LXFSG401UW01, NT3LXFSG402UW01, STGLXFSG111TW01, STGNXFSG082JW01, STGNXFSG111TW01 and STGNXFSG112TW01



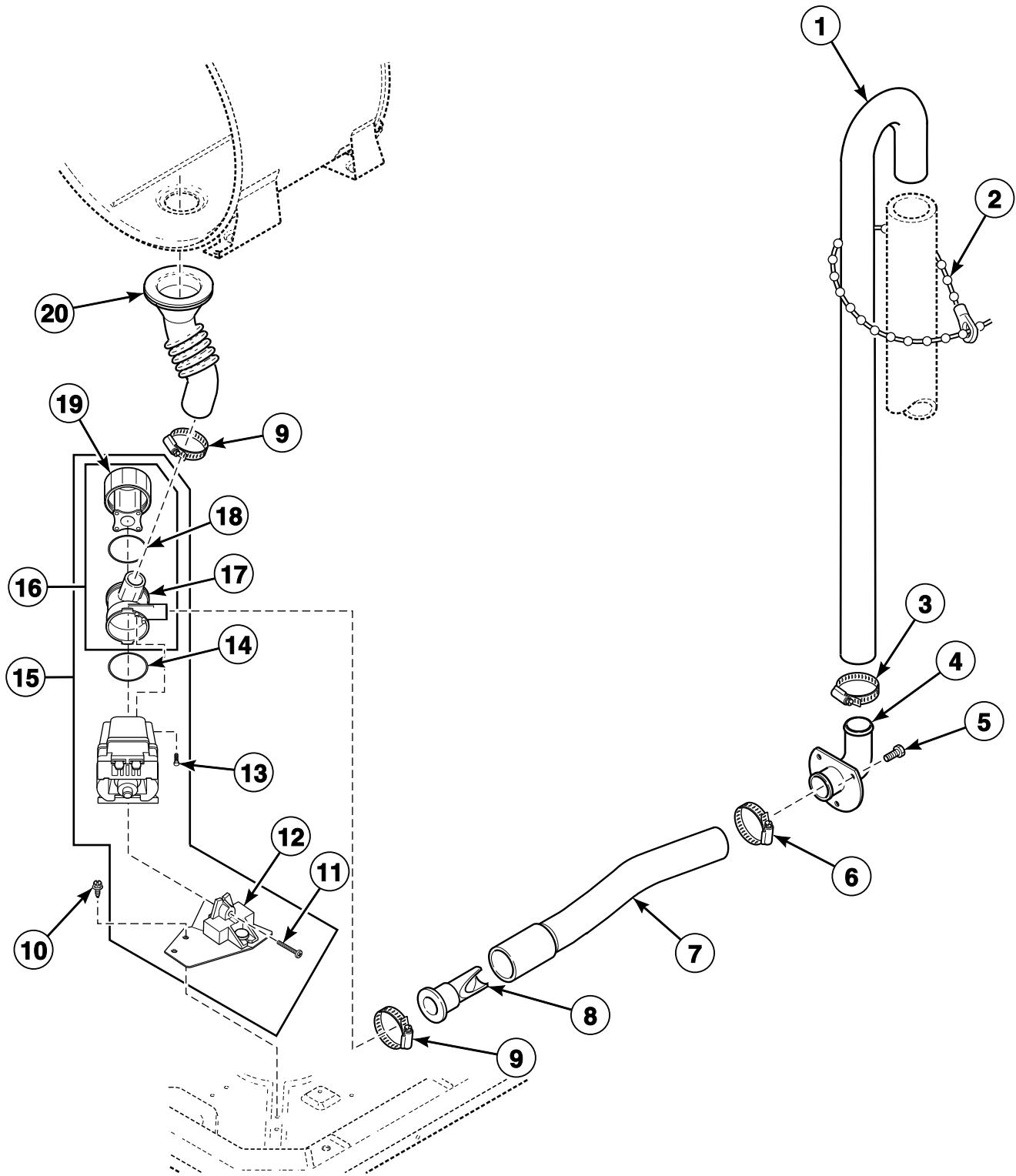
FLW888P_803403

Drain Hoses and Valve

REF	PART NO.	DESCRIPTION	COMMENTS
1	800902	Tub-to-Drain Hose	
2	685725	Hose Clamp	
3	803291	Gravity Drain Bracket	
4	F975P3	Drain Valve Kit	Includes items 3, 5 and 8-11; Models STGLXFSG111TW01, STGNXFSG082JW01, STGNXFSG111TW01 and STGNXFSG112TW01
	F976P3	Drain Valve Kit	Includes items 3, 5 and 8-11; All other models
5	803293	Drain Valve	Models STGLXFSG111TW01, STGNXFSG082JW01, STGNXFSG111TW01 and STGNXFSG112TW01; Order item 4 for models through Serial No. 0904020485
	803292	Gravity Drain Valve	All other models; Order item 4 for models through Serial No. 0904020485
6	800903	Drain-to-Cabinet Hose	
7	503235	Snap Bushing	
8	02916	Screw	
9	M400017	Washer	
10	503661	Screw	
11	29786	Nut	

Hoses and Pump

All Models Except BT3LLFSG401UN01, BT3LLFSG401UW01, BT3LLFSG402UW01, BT3LXFSG401UN01, BT3LXFSG401UW01, BT3LXFSG402UW01, JT1DMFSG411EN01, JT1DMFSG411EN06, JT2DMFSG411EN01, JT2DMFSG411EN06, NT3LLFSG401UW01, NT3LLFSG402UW01, NT3LXFSG401UW01, NT3LXFSG402UW01, STGLXFSG111TW01, STGNXFSG082JW01, STGNXFSG111TW01 and STGNXFSG112TW01

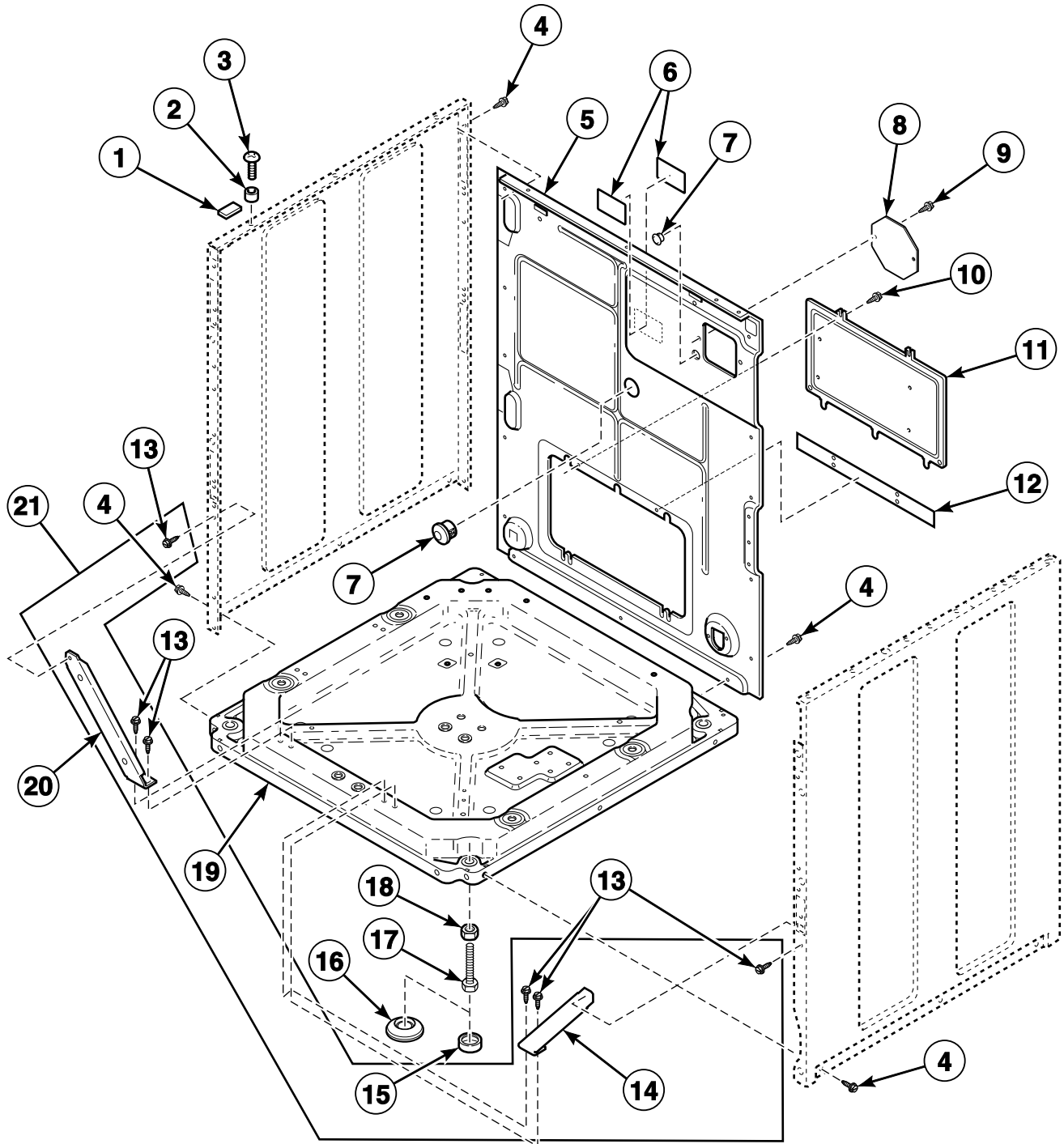


FLW943P_803403

Hoses and Pump

REF	PART NO.	DESCRIPTION	COMMENTS
1	27154	Drain Hose	
2	33489	Standpipe Strap	
3	20211	Hose Clamp	
4	35766	Drain Hose Elbow	
5	52909	Screw	
6	20391	Hose Clamp	
7	685737	Pump-to-Elbow Hose	
8	800310	Backflow Preventer	
9	F200204	Hose Clamp	
10	503661	Screw	
11	802430	Screw	
12	802626	Pump Mount Bracket	
13	802431	Screw	
14	802429P	O-Ring	
15	802625P	Drain Pump	Models NTHLXFSP571NW01, NTHLXFSP572NW01, NTHLYFSP571NW01, NTHLYFSP572NW01, STLNXFSP542NW23, STLNYFSP541NW23 and STLNYFSP542NW23
	802623P	Drain Pump	Models HTELXFSP281CW01, HTELXFSP291CW01, HTELYFSP281CW01, HTELYFSP291CW01, HTENXFSP281CW01, HTENXFSP282CW01, HTENXFSP291CW01, HTENXFSP292CW01, HTENYFSP281CW01, HTENYFSP282CW01, HTENYFSP291CW01, HTENYFSP292CW01, HTGLXFSP091CW01, HTGNXFSP091CW01, HTGNXFSP092CW01, STELCFSP171TW01, STELXFSP171TW01, STELYFSP171TW01, STENCFSP171TW01, STENCFSP172TW01, STENXFSP171TW01, STENXFSP172TW01, STENYFSP171TW01, STENYFSP172TW01, STGLCFSP111TW01, STGLCFSP111TWNA, STGLXFSP111TW01, STGLYFSP111TW01, STGLYFSP111TWNA, STGNCFSP111TW01, STGNCFSP112TW01, STGNXFSP111TW01, STGNXFSP112TW01, STGNYFSP111TW01 and STGNYFSP112TW01
	802624P	Drain Pump	All other models
16	802434P	Pump Housing Assembly	Includes items 17-19
17	802428	Pump Housing	
18	802427	Gasket	
19	802426P	Lid Assembly	Includes filter
20	800317	Tub-to-Pump Hose	
	27615P	Sealant	Tub-to-pump hose to outer tub
	985P3	Drain Kit	Includes 803344 Tub-to-Pump Hose with Trap, F200200 Hose Clamp, 803400 Cap and 27615P Sealant

Washer Base and Rear Panel

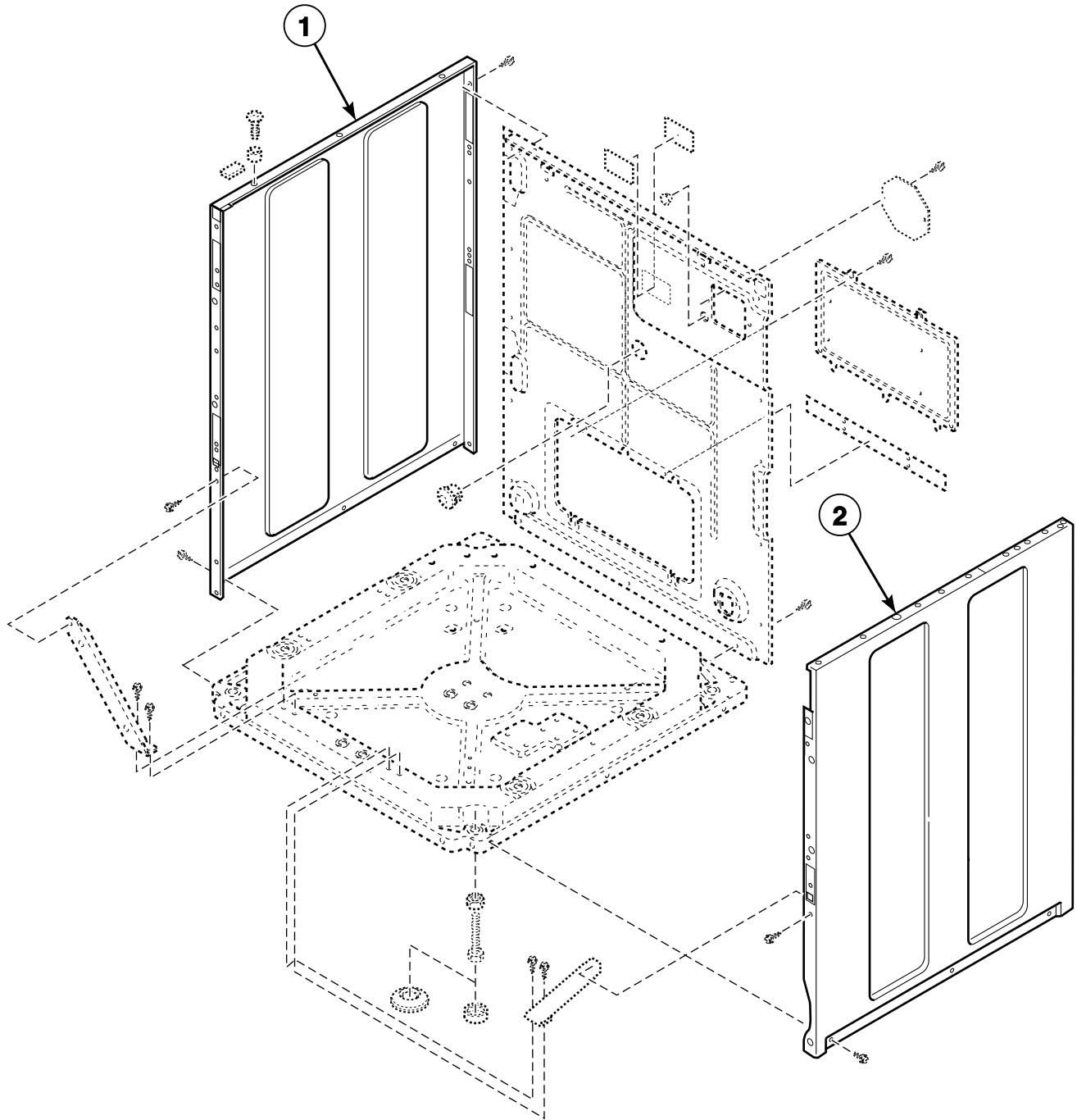


SWD1206P_803403

Washer Base and Rear Panel

REF	PART NO.	DESCRIPTION	COMMENTS
	122P4P	Porcelain Touch-Up Paint	White
	370P4P	Porcelain Touch-Up Paint	Bisque
1	36226	Bumper Pad	
2	56079	Panel Locator	
3	512921	Screw	Use with stainless steel side panels
	39733	Screw	Use with painted side panels
4	503661	Screw	
5	801216	Rear Panel	Models BT3LLFSG401UN01, BT3LLFSG401UW01, BT3LLFSG402UW01, BT3LXFSG401UN01, BT3LXFSG401UW01, BT3LXFSG402UW01, JT1DMFSG411EN01, JT1DMFSG411EN06, JT2DMFSG411EN01, JT2DMFSG411EN06, NT3LLFSG401UW01, NT3LLFSG402UW01, NT3LXFSG401UW01, NT3LXFSG402UW01 and STGLXFSG111TW01
	800010P	Rear Panel	All other models
6	685928	Screw Label	Left hand thread
7	M412154	Hole Plug	
8	61203	Thermostat Opening Cover	All models except STELCFSP171TW01, STELXFSP171TW01, STELXFSP431AW01, STELXFSP432AW01, STELYFSP171TW01, STENCFSP171TW01, STENCFSP172TW01, STENXFSP171TW01, STENXFSP172TW01, STENYFSP171TW01, STENYFSP172TW01, STEWYFSP302NW25, STGLCFSP111TW01, STGLCFSP111TWNA, STGLXFSG111TW01, STGLXFSP111TW01, STGLXFSP301AW01, STGLXFSP302AW01, STGLYFSP111TW01, STGLYFSP111TWNA, STGNCFSP111TW01, STGNCFSP112TW01, STGNXFSG111TW01, STGNXFSG112TW01, STGNXFSP111TW01, STGNXFSP112TW01, STGNXFSP111TW01, STGNXFSP112TW01, STLNXFSP542NW23, STLNYFSP541NW23 and STLNYFSP542NW23
9	M405188	Screw	
10	430497	Screw	
11	800011	Rear Access Panel	
12	801702	Motor Access Hole Edging	
13	31645	Screw	
14	801492	Cabinet Brace	Right
15	34318	Rubber Foot	
16	802844P	Anchor Floor Mount Assembly	Includes 2 rubber discs with adhesive backing
17	34319	Leveling Leg	
18	21899	Nut	
19	802245	Base Assembly	
20	801491	Cabinet Brace	Left
21	918P3	Brace Kit	Includes items 13, 14 and 20

Side Panels



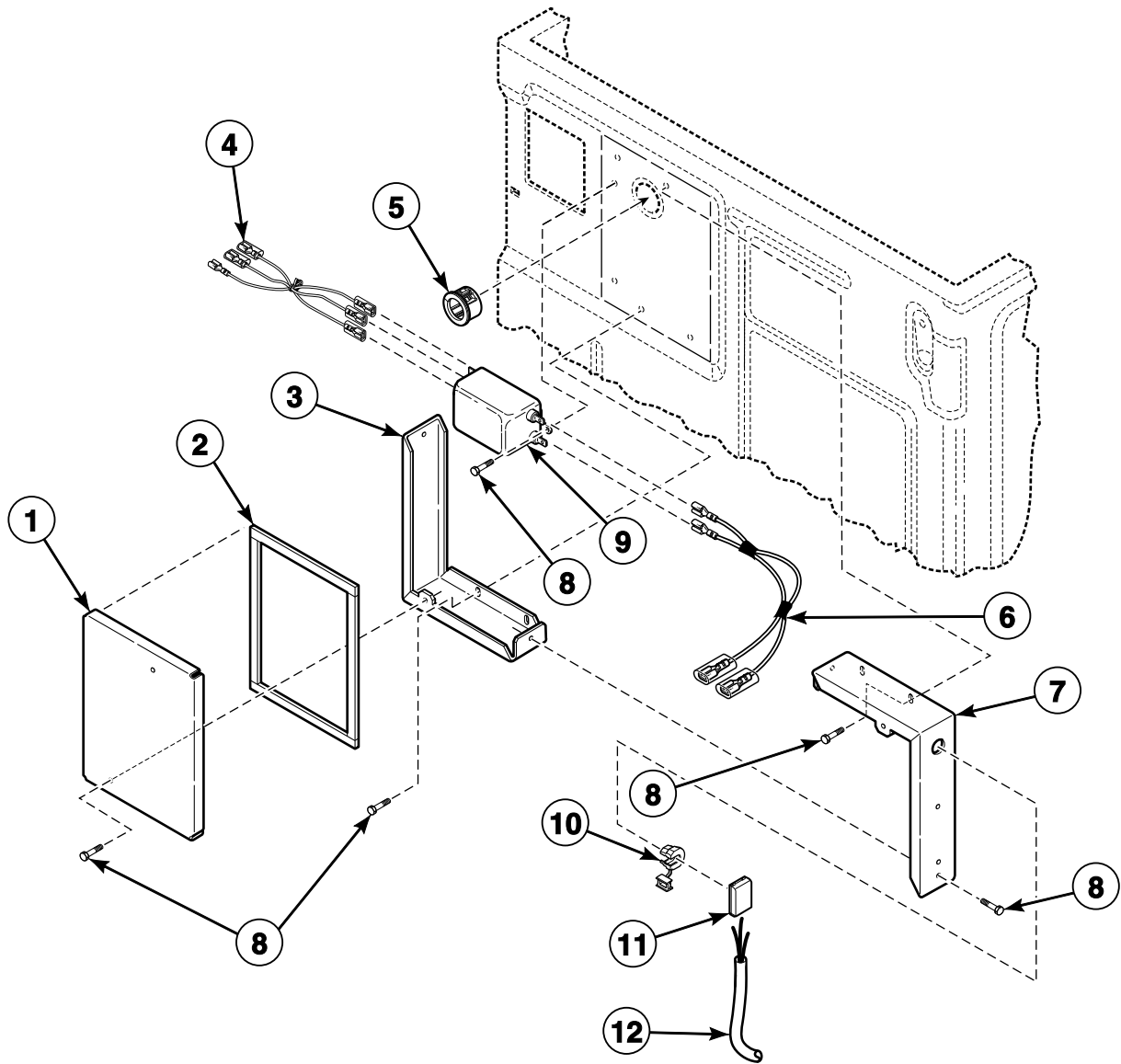
SWD1206PA_803403

Side Panels

REF	PART NO.	DESCRIPTION	COMMENTS
	122P4P	Porcelain Touch-Up Paint	White
	370P4P	Porcelain Touch-Up Paint	Bisque
1	802525P	Cabinet Side Panel	Left; Stainless steel; Models BT3LLFSG401UN01, BT3LLFSP401UN01, BT3LLFSP402UN01, BT3LXFSG401UN01, BT3LXFSP401UN01, BT3LXFSP402UN01, JT1DMFSG411EN01, JT1DMFSG411EN06, JT2DMFSG411EN01, JT2DMFSG411EN06, NT1LXFSP401UN01, NT2LLFSP401UN01, NT2LLFSP402UN01, NT2LXFSP401UN01, NT2LXFSP402UN01, NT3LLFSP401NN22, NT3LLFSP402NN22, NT3LLFSP401UN01, NT3LLFSP402UN01, NT3LXFSP401UN01 and NT3LXFSP402UN01
	800004G	Side Panel	Left; Gray; Models BT3LLFSG401UN01, BT3LLFSP401UN01, BT3LLFSP402UN01, BT3LXFSG401UN01, BT3LXFSP401UN01, BT3LXFSP402UN01, JT1DMFSG411EN01, JT1DMFSG411EN06, JT2DMFSG411EN01, JT2DMFSG411EN06, NT1LXFSP401UN01, NT2LLFSP401UN01, NT2LLFSP402UN01, NT2LXFSP401UN01, NT2LXFSP402UN01, NT3LLFSP401NN22, NT3LLFSP402NN22, NT3LLFSP401UN01, NT3LLFSP402UN01, NT3LXFSP401UN01 and NT3LXFSP402UN01
	800004WP	Cabinet Panel Kit	Left; White; Includes corner gusset with hardware; All other models
2	802526P	Cabinet Side Panel	Right; Stainless steel; Models BT3LLFSG401UN01, BT3LLFSP401UN01, BT3LLFSP402UN01, BT3LXFSG401UN01, BT3LXFSP401UN01, BT3LXFSP402UN01, JT1DMFSG411EN01, JT1DMFSG411EN06, JT2DMFSG411EN01, JT2DMFSG411EN06, NT1LXFSP401UN01, NT2LLFSP401UN01, NT2LLFSP402UN01, NT2LXFSP401UN01, NT2LXFSP402UN01, NT3LLFSP401NN22, NT3LLFSP402NN22, NT3LLFSP401UN01, NT3LLFSP402UN01, NT3LXFSP401UN01 and NT3LXFSP402UN01
	800005G	Side Panel	Right; Gray; Models BT3LLFSG401UN01, BT3LLFSP401UN01, BT3LLFSP402UN01, BT3LXFSG401UN01, BT3LXFSP401UN01, BT3LXFSP402UN01, JT1DMFSG411EN01, JT1DMFSG411EN06, JT2DMFSG411EN01, JT2DMFSG411EN06, NT1LXFSP401UN01, NT2LLFSP401UN01, NT2LLFSP402UN01, NT2LXFSP401UN01, NT2LXFSP402UN01, NT3LLFSP401NN22, NT3LLFSP402NN22, NT3LLFSP401UN01, NT3LLFSP402UN01, NT3LXFSP401UN01 and NT3LXFSP402UN01
	800005WP	Side Panel Kit	Right; White; Includes 801024 Dispenser Plate with hardware; All other models

Junction Box and Power Cord

Models STELXFSP431AW01, STELXFSP432AW01, STEWYFSP302NW25, STGLXFSP301AW01, STGLXFSP302AW01, STGNXFSG082JW01, STLNXFSP542NW23, STLNYFSP541NW23 and STLNYFSP542NW23

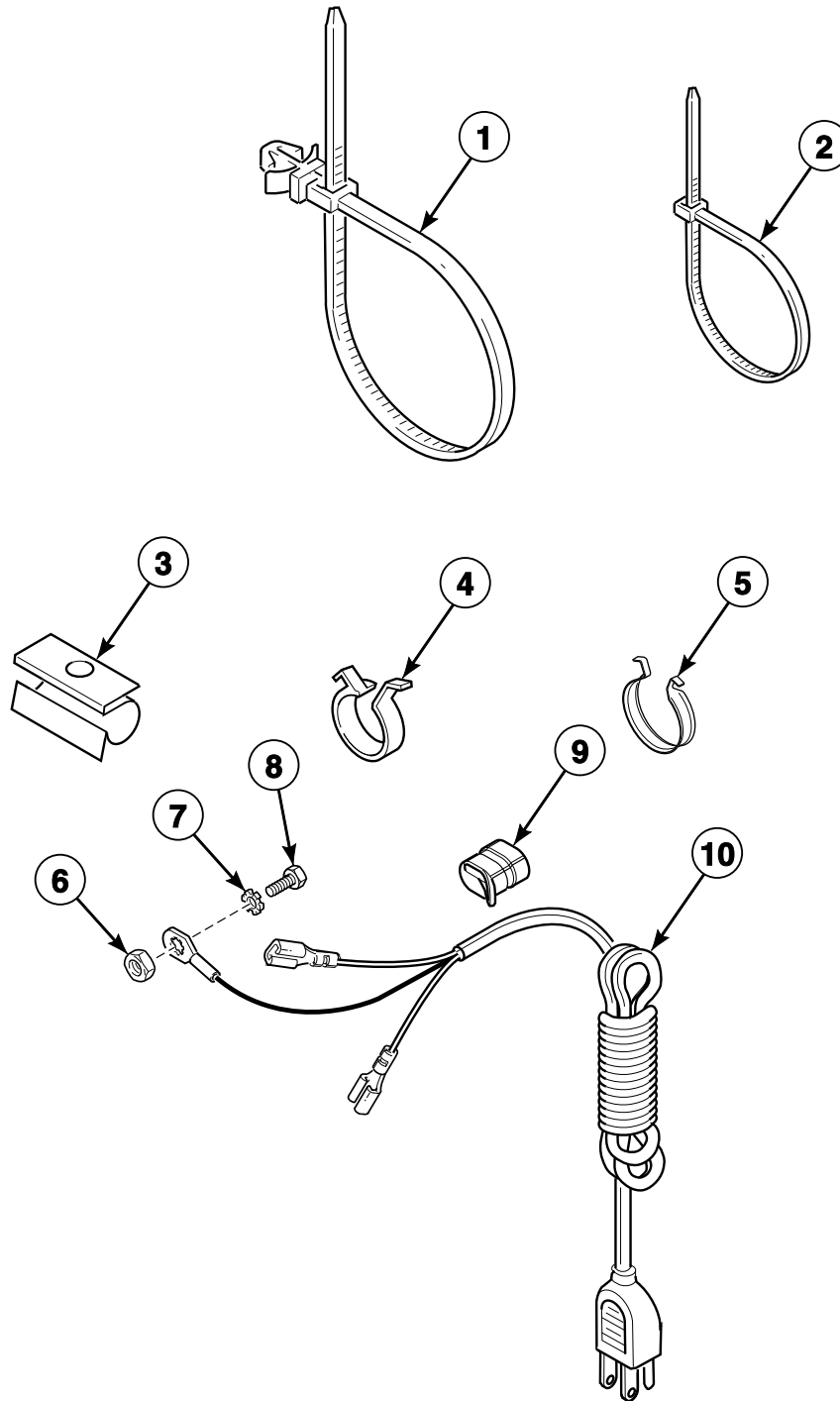


FLW1693P_803403

Junction Box and Power Cord

REF	PART NO.	DESCRIPTION	COMMENTS
1	801404	Junction Box Cover	
2	801425P	Junction Box Seal	4 required
3	801433	Lower Junction Box	
4	801420	Wire Harness Assembly	Line filter to power cord terminal block; All models except STGNXFSG082JW01
5	M402542	Snap Bushing	
6	802013	Wire Harness Assembly	Line filter to control harness; Model STGNXFSG082JW01
	801421	Wire Harness Assembly	Line filter to control harness; All other models
7	804360	Junction Box	Model STGNXFSG082JW01
	801403	Junction Box	All other models
8	503661	Screw	
9	201058	Line Filter	
10	60298	Strain Relief	Model STGNXFSG082JW01
11	39922	Cable Connection Box	All models except STGNXFSG082JW01
12	801660	Power Cord Assembly	Models STLNXFSP542NW23, STLNYFSP541NW23 and STLNYFSP542NW23
	39931	Power Cord Assembly	Models STELXFSP431AW01, STELXFSP432AW01, STGLXFSP301AW01 and STGLXFSP302AW01
	202624	Power Cord Assembly	Model STGNXFSG082JW01
	801450	Power Cord Assembly	Model STEWYFSP302NW25

Wire Ties, Harness Clips and Washer Lead-In Cord

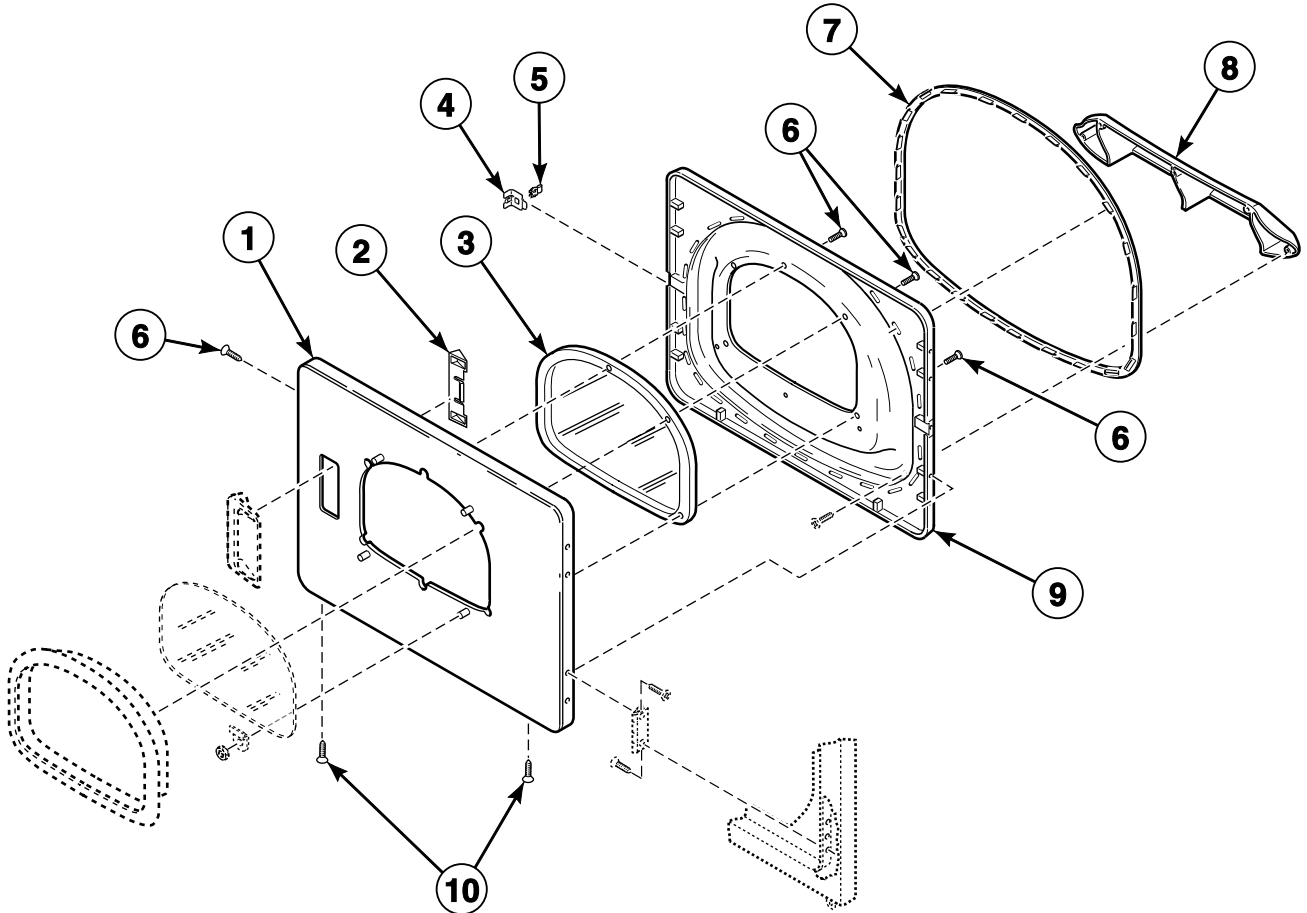


FLW823P_803403

Wire Ties, Harness Clips and Washer Lead-In Cord

REF	PART NO.	DESCRIPTION	COMMENTS
1	38663	Wire Tie	Push mount
2	55881	Harness Strap	
3	36985	Hose Clip	
4	504034	Wire Clip	Small
5	687500	Wire Clip	Large
6	03673	Nut	
7	03815	Washer	
8	20530	Screw	
9	38384	Strain Relief	
10	34458	Lead-In Cord	Models STELCFSP171TW01, STELXFSP171TW01, STELYFSP171TW01, STENCFSP171TW01, STENCFSP172TW01, STENXFSP171TW01, STENXFSP172TW01, STENYFSP171TW01, STENYFSP172TW01, STGLCFSP111TW01, STGLCFSP111TWNA, STGLXFSG111TW01, STGLXFSP111TW01, STGLYFSP111TW01, STGLYFSP111TWNA, STGNCFSP111TW01, STGNCFSP112TW01, STGNXFSG082JW01, STGNXFSG111TW01, STGNXFSG112TW01, STGNXFSP111TW01, STGNXFSP112TW01, STGNYFSP111TW01 and STGNYFSP112TW01

Dryer Loading Door with Window (Drawing 1 of 2)

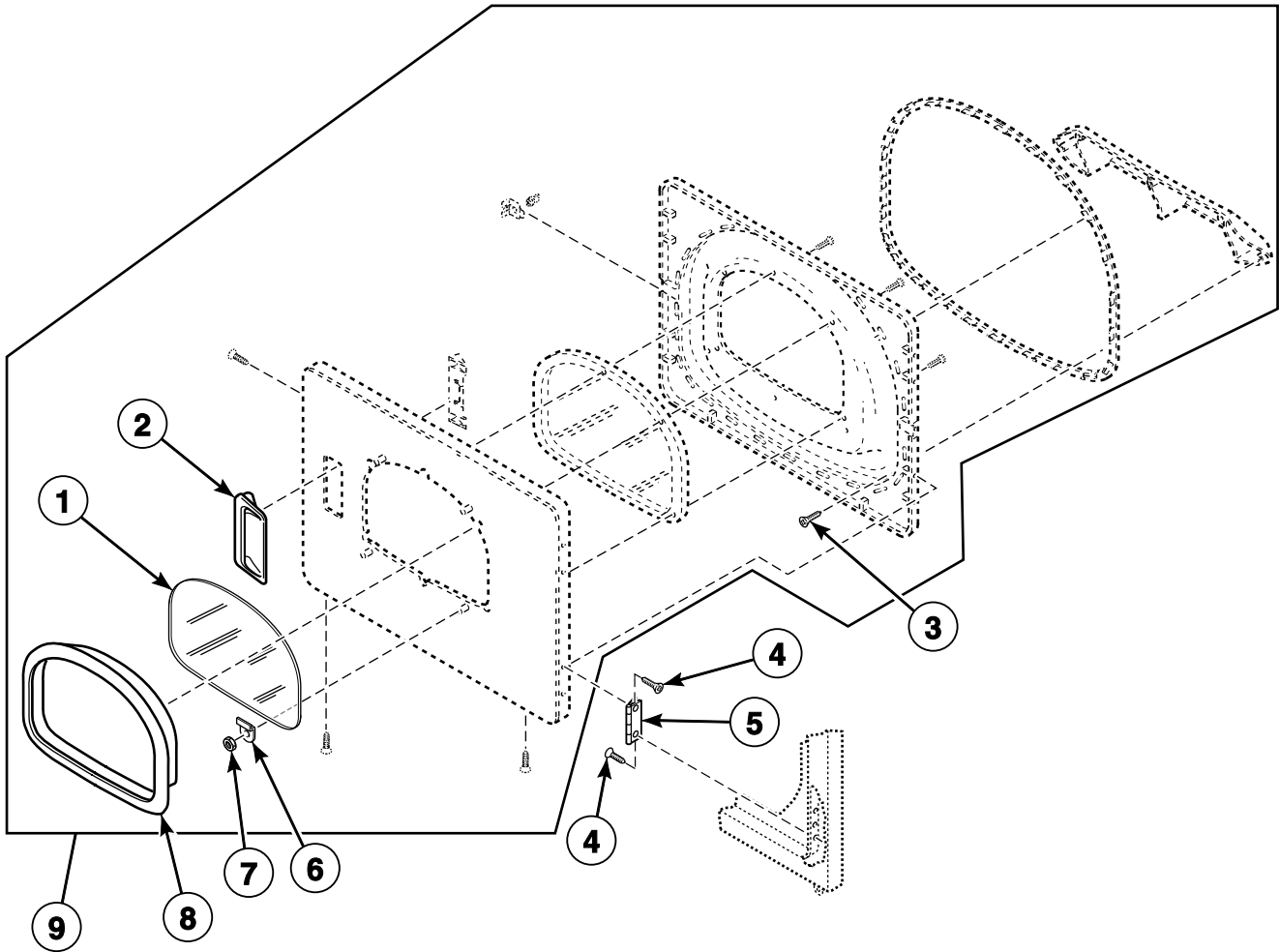


DRY2296P_803403

Dryer Loading Door with Window (Drawing 1 of 2)

REF	PART NO.	DESCRIPTION	COMMENTS
1	513225	Dryer Door	Models BT3LLFSG401UN01, BT3LLFSP401UN01, BT3LLFSP402UN01, BT3LXFSG401UN01, BT3LXFSP401UN01, BT3LXFSP402UN01, JT1DMFSG411EN01, JT1DMFSG411EN06, JT2DMFSG411EN01, JT2DMFSG411EN06, NT1LXFSP401UN01, NT2LLFSP401UN01, NT2LLFSP402UN01, NT2LXFSP401UN01, NT2LXFSP402UN01, NT3LLFSP401NN22, NT3LLFSP402NN22, NT3LLFSP401UN01, NT3LLFSP402UN01, NT3LXFSP401UN01 and NT3LXFSP402UN01
	514114W	Dryer Door Assembly	Models HTENXFSP282CW01, HTENXFSP292CW01, HTENYFSP282CW01, HTENYFSP292CW01, STENCFSP172TW01, STENXFSP172TW01 and STENYFSP172TW01 starting Serial No. 1303025315
	510082WP	Dryer Door	Models HTENXFSP282CW01, HTENXFSP292CW01, HTENYFSP282CW01, HTENYFSP292CW01, STENCFSP172TW01, STENXFSP172TW01 and STENYFSP172TW01 through Serial No. 1303025314; All other models
2	510129	Door Handle Wedge	
3	503982P	Dryer Door Window	
4	510127	Door Strike Mount	
5	510181	Door Strike	
6	505870	Screw	
7	510147P	Liner Door Seal	
8	513109P	Liner, Seal and Grill Assembly	Gray; Includes items 7 and 9; Models BT3LLFSG401UN01, BT3LLFSP401UN01, BT3LLFSP402UN01, BT3LXFSG401UN01, BT3LXFSP401UN01, BT3LXFSP402UN01, JT1DMFSG411EN01, JT1DMFSG411EN06, JT2DMFSG411EN01, JT2DMFSG411EN06, NT1LXFSP401UN01, NT2LLFSP401UN01, NT2LLFSP402UN01, NT2LXFSP401UN01, NT2LXFSP402UN01, NT3LLFSP401NN22, NT3LLFSP402NN22, NT3LLFSP401UN01, NT3LLFSP402UN01, NT3LXFSP401UN01 and NT3LXFSP402UN01
	503870LG	Door Liner Grill	Models HTENXFSP282CW01, HTENXFSP292CW01, HTENYFSP282CW01, HTENYFSP292CW01, STENCFSP172TW01, STENXFSP172TW01 and STENYFSP172TW01 starting Serial No. 1303025315
	503870W	Door Liner Grill	Models HTENXFSP282CW01, HTENXFSP292CW01, HTENYFSP282CW01, HTENYFSP292CW01, STENCFSP172TW01, STENXFSP172TW01 and STENYFSP172TW01 through Serial No. 1303025314; All other models
9	513226LG	Door Liner and Seal Assembly	Includes item 7; Models BT3LLFSG401UN01, BT3LLFSP401UN01, BT3LLFSP402UN01, BT3LXFSG401UN01, BT3LXFSP401UN01, BT3LXFSP402UN01, JT1DMFSG411EN01, JT1DMFSG411EN06, JT2DMFSG411EN01, JT2DMFSG411EN06, NT1LXFSP401UN01, NT2LLFSP401UN01, NT2LLFSP402UN01, NT2LXFSP401UN01, NT2LXFSP402UN01, NT3LLFSP401NN22, NT3LLFSP402NN22, NT3LLFSP401UN01, NT3LLFSP402UN01, NT3LXFSP401UN01 and NT3LXFSP402UN01
	510098LG	Liner and Seal Assembly	Includes item 7; Models HTENXFSP282CW01, HTENXFSP292CW01, HTENYFSP282CW01, HTENYFSP292CW01, STENCFSP172TW01, STENXFSP172TW01 and STENYFSP172TW01 starting Serial No. 1303025315
	510098W	Liner and Seal Assembly	Includes item 7; Models HTENXFSP282CW01, HTENXFSP292CW01, HTENYFSP282CW01, HTENYFSP292CW01, STENCFSP172TW01, STENXFSP172TW01 and STENYFSP172TW01 through Serial No. 1303025314; All other models
10	500226	Screw	

Dryer Loading Door with Window (Drawing 2 of 2)

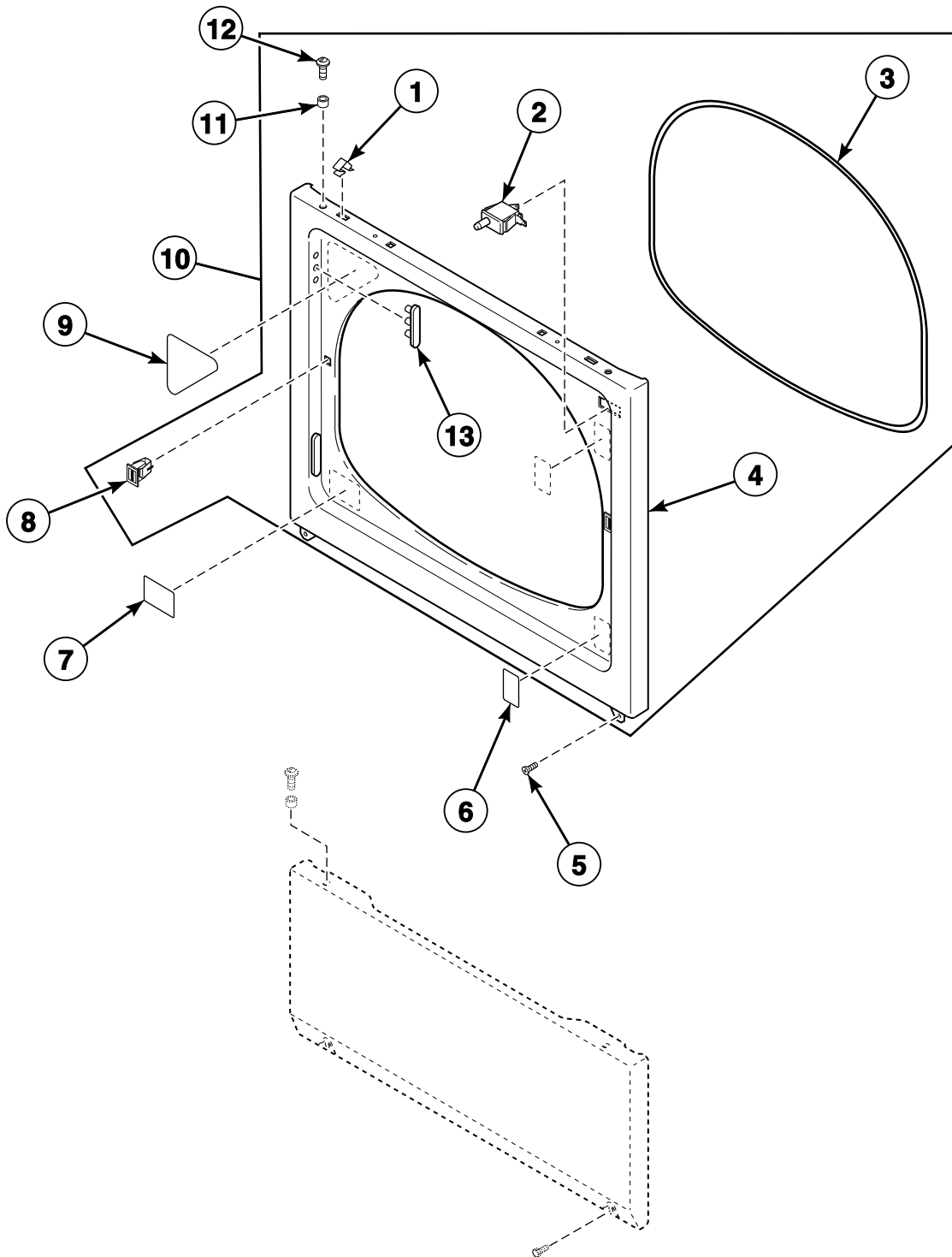


DRY2296PA_803403

Dryer Loading Door with Window (Drawing 2 of 2)

REF	PART NO.	DESCRIPTION	COMMENTS
1	513910	Glass Door Window	Models HTENXFSP282CW01, HTENXFSP292CW01, HTENYFSP282CW01, HTENYFSP292CW01, STENCFSP172TW01, STENXFSP172TW01 and STENYFSP172TW01; Models starting Serial No. 1303025315
2	512947	Door Pull	Models BT3LLFSG401UN01, BT3LLFSP401UN01, BT3LLFSP402UN01, BT3LXFSG401UN01, BT3LXFSP401UN01, BT3LXFSP402UN01, JT1DMFSG411EN01, JT1DMFSG411EN06, JT2DMFSG411EN01, JT2DMFSG411EN06, NT1LXFSP401UN01, NT2LLFSP401UN01, NT2LLFSP402UN01, NT2LXFSP401UN01, NT2LXFSP402UN01, NT3LLFSP401NN22, NT3LLFSP402NN22, NT3LLFSP401UN01, NT3LLFSP402UN01, NT3LXFSP401UN01 and NT3LXFSP402UN01
	510103WP	Door Pull and Wedge Kit	All other models; Includes 510129 Door Handle Wedge
3	505870	Screw	
4	505295	Screw	
5	511036	Hinge	
6	513958	Window Clip	Models HTENXFSP282CW01, HTENXFSP292CW01, HTENYFSP282CW01, HTENYFSP292CW01, STENCFSP172TW01, STENXFSP172TW01 and STENYFSP172TW01; Models starting Serial No. 1303025315
7	44071201	Nut	Models HTENXFSP282CW01, HTENXFSP292CW01, HTENYFSP282CW01, HTENYFSP292CW01, STENCFSP172TW01, STENXFSP172TW01 and STENYFSP172TW01; Models starting Serial No. 1303025315
8	512633	Window Trim	Models BT3LLFSG401UN01, BT3LLFSG401UW01, BT3LLFSG402UW01, BT3LLFSP401UN01, BT3LLFSP402UN01, BT3LLFSP401UW01, BT3LLFSP402UW01, BT3LXFSG401UN01, BT3LXFSG401UW01, BT3LXFSG402UW01, BT3LXFSP401UN01, BT3LXFSP402UN01, BT3LXFSP401UW01, BT3LXFSP402UW01, JT1DMFSG411EN01, JT1DMFSG411EN06, JT2DMFSG411EN01, JT2DMFSG411EN06, NT1LXFSP401UN01, NT2LLFSP401UN01, NT2LLFSP402UN01, NT2LXFSP401UN01, NT2LXFSP402UN01, NT3LLFSP401NN22, NT3LLFSP402NN22, NT3LLFSP401UN01, NT3LLFSP402UN01, NT3LXFSP401UN01 and NT3LXFSP402UN01
	513960W	Window Trim	Models HTENXFSP282CW01, HTENXFSP292CW01, HTENYFSP282CW01, HTENYFSP292CW01, STENCFSP172TW01, STENXFSP172TW01 and STENYFSP172TW01; Models starting Serial No. 1303025315
	503981W	Window Trim	Models HTENXFSP282CW01, HTENXFSP292CW01, HTENYFSP282CW01, HTENYFSP292CW01, STENCFSP172TW01, STENXFSP172TW01 and STENYFSP172TW01 through Serial No. 1303025314; All other models
9	511636WP	Door and Liner Assembly	Includes items 2, 3, 8 and all items on <i>Dryer Loading Door with Window (Drawing 1 of 2)</i> ; All models except BT3LLFSG401UN01, BT3LLFSP401UN01, BT3LLFSP402UN01, BT3LXFSG401UN01, BT3LXFSP401UN01, BT3LXFSP402UN01, JT1DMFSG411EN01, JT1DMFSG411EN06, JT2DMFSG411EN01, JT2DMFSG411EN06, NT1LXFSP401UN01, NT2LLFSP401UN01, NT2LLFSP402UN01, NT2LXFSP401UN01, NT2LXFSP402UN01, NT3LLFSP401NN22, NT3LLFSP402NN22, NT3LLFSP401UN01, NT3LLFSP402UN01, NT3LXFSP401UN01 and NT3LXFSP402UN01; Models HTENXFSP282CW01, HTENXFSP292CW01, HTENYFSP282CW01, HTENYFSP292CW01, STENCFSP172TW01, STENXFSP172TW01 and STENYFSP172TW01 through Serial No. 1303025314

Dryer Front Panel and Seal

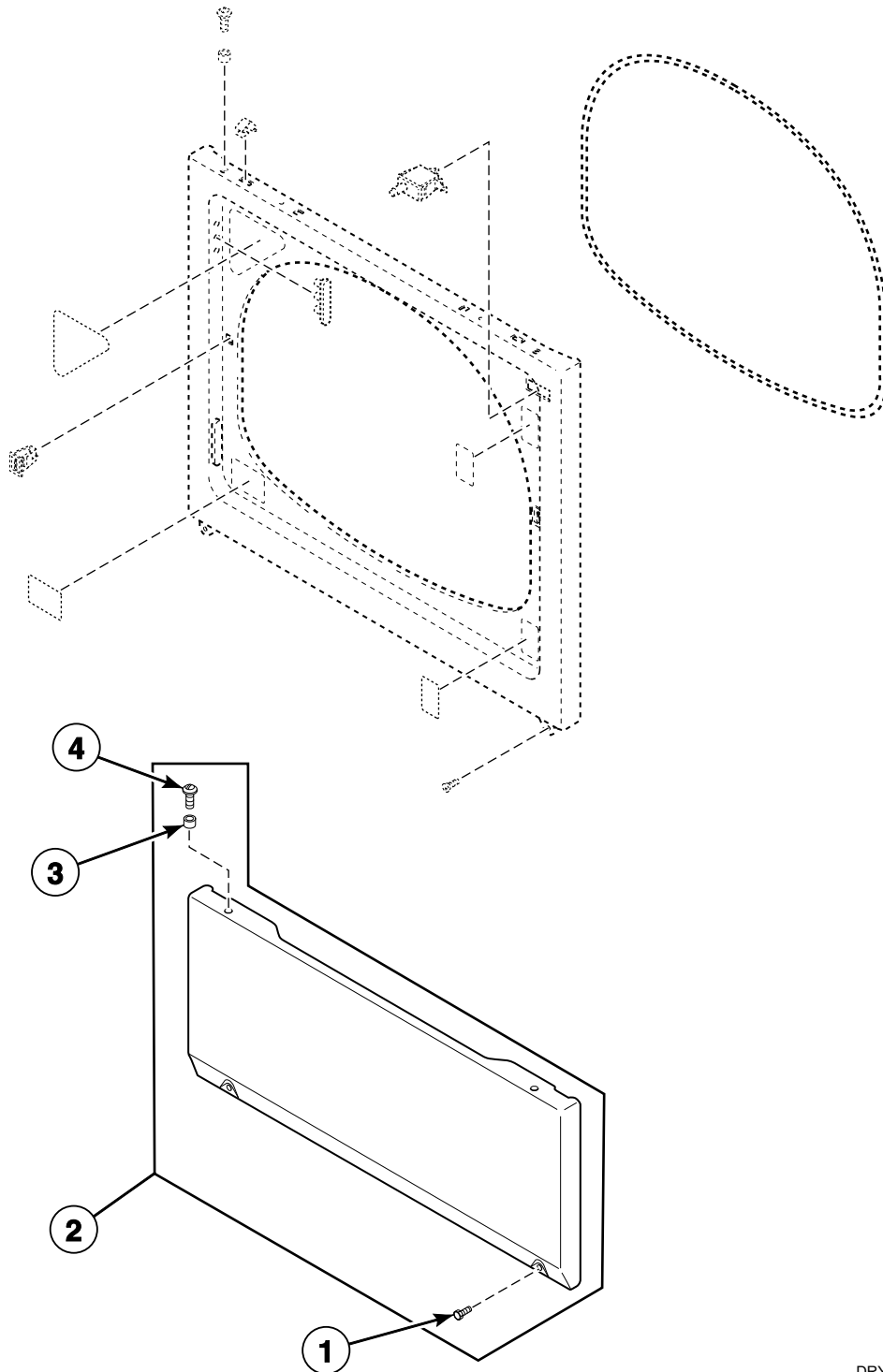


DRY1776P_803403

Dryer Front Panel and Seal

REF	PART NO.	DESCRIPTION	COMMENTS
1	28835	Speed Clip	
2	512973	Switch	
3	511056	Front Panel Seal	
4	512542	Front Panel	Models BT3LLFSG401UN01, BT3LLFSP401UN01, BT3LLFSP402UN01, BT3LXFSG401UN01, BT3LXFSP401UN01, BT3LXFSP402UN01, JT1DMFSG411EN01, JT1DMFSG411EN06, JT2DMFSG411EN01, JT2DMFSG411EN06, NT1LXFSP401UN01, NT2LLFSP401UN01, NT2LLFSP402UN01, NT2LXFSP401UN01, NT2LXFSP402UN01, NT3LLFSP401NN22, NT3LLFSP402NN22, NT3LLFSP401UN01, NT3LLFSP402UN01, NT3LXFSP401UN01 and NT3LXFSP402UN01
	510066WP	Front Panel	All other models
5	503688	Screw	
6	512263	Warning Label	Models STELXFSP431AW01, STELXFSP432AW01, STGLXFSP301AW01 and STGLXFSP302AW01
7	502804	Clean Lint Label	Models STELXFSP431AW01, STELXFSP432AW01, STGLXFSP301AW01 and STGLXFSP302AW01
8	514113	Door Catch Assembly	
9	500253	Caution Label	Models HTELXFSP281CW01, HTELXFSP291CW01, HTELYFSP281CW01, HTELYFSP291CW01, HTENXFSP281CW01, HTENXFSP282CW01, HTENXFSP291CW01, HTENXFSP292CW01, HTENYFSP281CW01, HTENYFSP282CW01, HTENYFSP291CW01, HTENYFSP292CW01, HTGLXFSP091CW01, HTGNXFSP091CW01 and HTGNXFSP092CW01
	500281	Warning/Caution Label	All other models
10	513781W	Front Panel Assembly	Includes 511636WP Door and Liner Assembly, (2) 511036 Hinge, (8) 500226 Screw and items 1-4, 8, 11-13; All models except BT3LLFSG401UN01, BT3LLFSP401UN01, BT3LLFSP402UN01, BT3LXFSG401UN01, BT3LXFSP401UN01, BT3LXFSP402UN01, JT1DMFSG411EN01, JT1DMFSG411EN06, JT2DMFSG411EN01, JT2DMFSG411EN06, NT1LXFSP401UN01, NT2LLFSP401UN01, NT2LLFSP402UN01, NT2LXFSP401UN01, NT2LXFSP402UN01, NT3LLFSP401NN22, NT3LLFSP402NN22, NT3LLFSP401UN01, NT3LLFSP402UN01, NT3LXFSP401UN01 and NT3LXFSP402UN01
11	56079	Panel Locator	
12	512921	Screw	Models BT3LLFSG401UN01, BT3LLFSP401UN01, BT3LLFSP402UN01, BT3LXFSG401UN01, BT3LXFSP401UN01, BT3LXFSP402UN01, JT1DMFSG411EN01, JT1DMFSG411EN06, JT2DMFSG411EN01, JT2DMFSG411EN06, NT1LXFSP401UN01, NT2LLFSP401UN01, NT2LLFSP402UN01, NT2LXFSP401UN01, NT2LXFSP402UN01, NT3LLFSP401NN22, NT3LLFSP402NN22, NT3LLFSP401UN01, NT3LLFSP402UN01, NT3LXFSP401UN01 and NT3LXFSP402UN01
	39733	Screw	All other models
13	510186	Hinge Hole Plug	

Dryer Access Panel

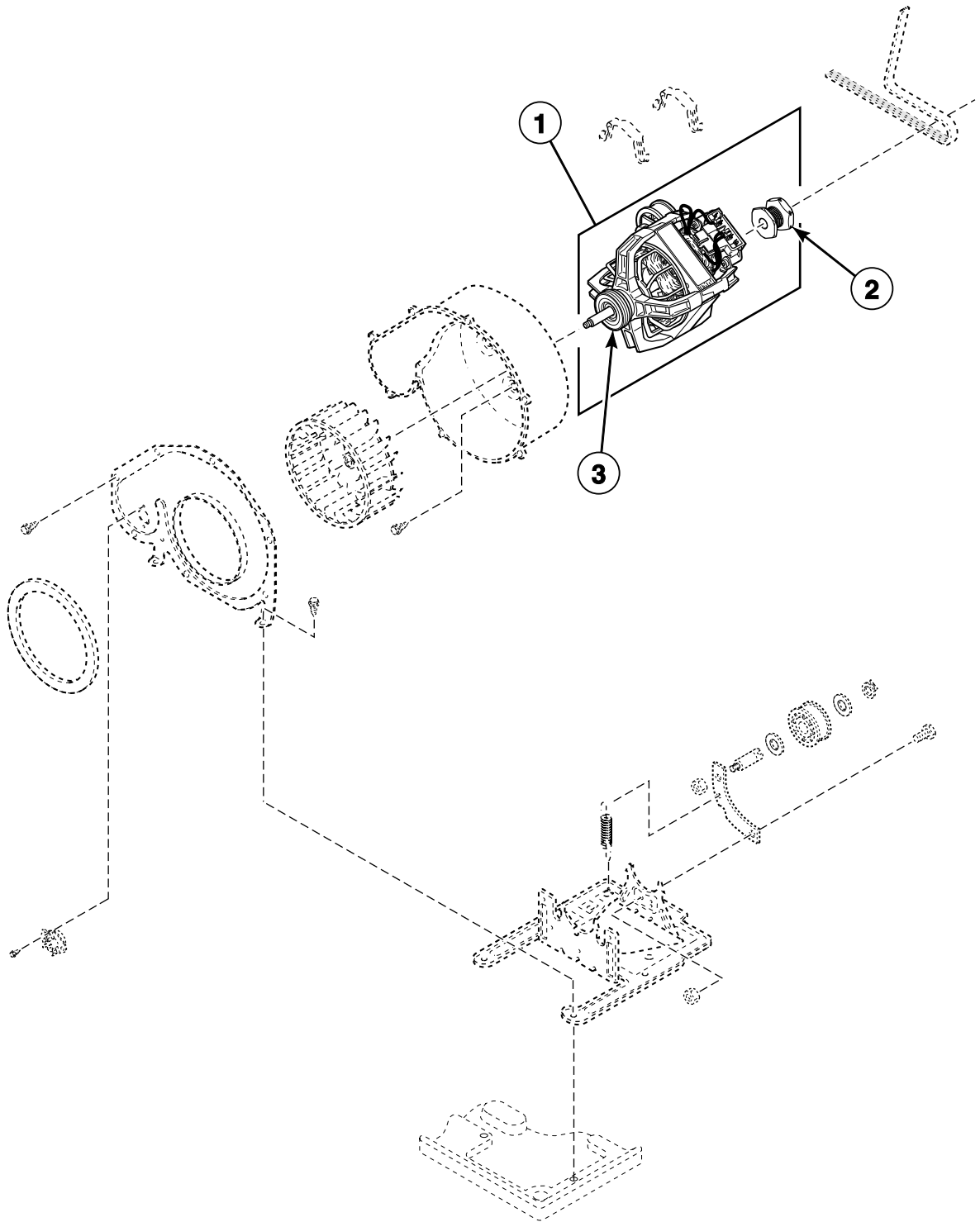


DRY1776PA_803403

Dryer Access Panel

REF	PART NO.	DESCRIPTION	COMMENTS
1	33562	Screw	Slotted hex head
	62853	Screw	Torx head; Optional for added security
2	514251	Access Panel Assembly	Models BT3LLFSG401UN01, BT3LLFSP401UN01, BT3LLFSP402UN01, BT3LXFSG401UN01, BT3LXFSP401UN01, BT3LXFSP402UN01, JT1DMFSG411EN01, JT1DMFSG411EN06, JT2DMFSG411EN01, JT2DMFSG411EN06, NT1LXFSP401UN01, NT2LLFSP401UN01, NT2LLFSP402UN01, NT2LXFSP401UN01, NT2LXFSP402UN01, NT3LLFSP401NN22, NT3LLFSP402NN22, NT3LLFSP401UN01, NT3LLFSP402UN01, NT3LXFSP401UN01 and NT3LXFSP402UN01
	514252W	Access Panel and Guard Assembly	Models HTENXFSP282CW01, HTENXFSP292CW01, HTENYFSP282CW01, HTENYFSP292CW01, STENCFSP172TW01, STENXFSP172TW01 and STENYFSP172TW01; Models starting Serial No. 1303025315
	514250W	Access Panel Assembly	All other models; Models HTENXFSP282CW01, HTENXFSP292CW01, HTENYFSP282CW01, HTENYFSP292CW01, STENCFSP172TW01, STENXFSP172TW01 and STENYFSP172TW01 through Serial No. 1303025314
3	56079	Panel Locator	
4	512921	Screw	Models BT3LLFSG401UN01, BT3LLFSP401UN01, BT3LLFSP402UN01, BT3LXFSG401UN01, BT3LXFSP401UN01, BT3LXFSP402UN01, JT1DMFSG411EN01, JT1DMFSG411EN06, JT2DMFSG411EN01, JT2DMFSG411EN06, NT1LXFSP401UN01, NT2LLFSP401UN01, NT2LLFSP402UN01, NT2LXFSP401UN01, NT2LXFSP402UN01, NT3LLFSP401NN22, NT3LLFSP402NN22, NT3LLFSP401UN01, NT3LLFSP402UN01, NT3LXFSP401UN01 and NT3LXFSP402UN01
	39733	Screw	All other models

Dryer Motor

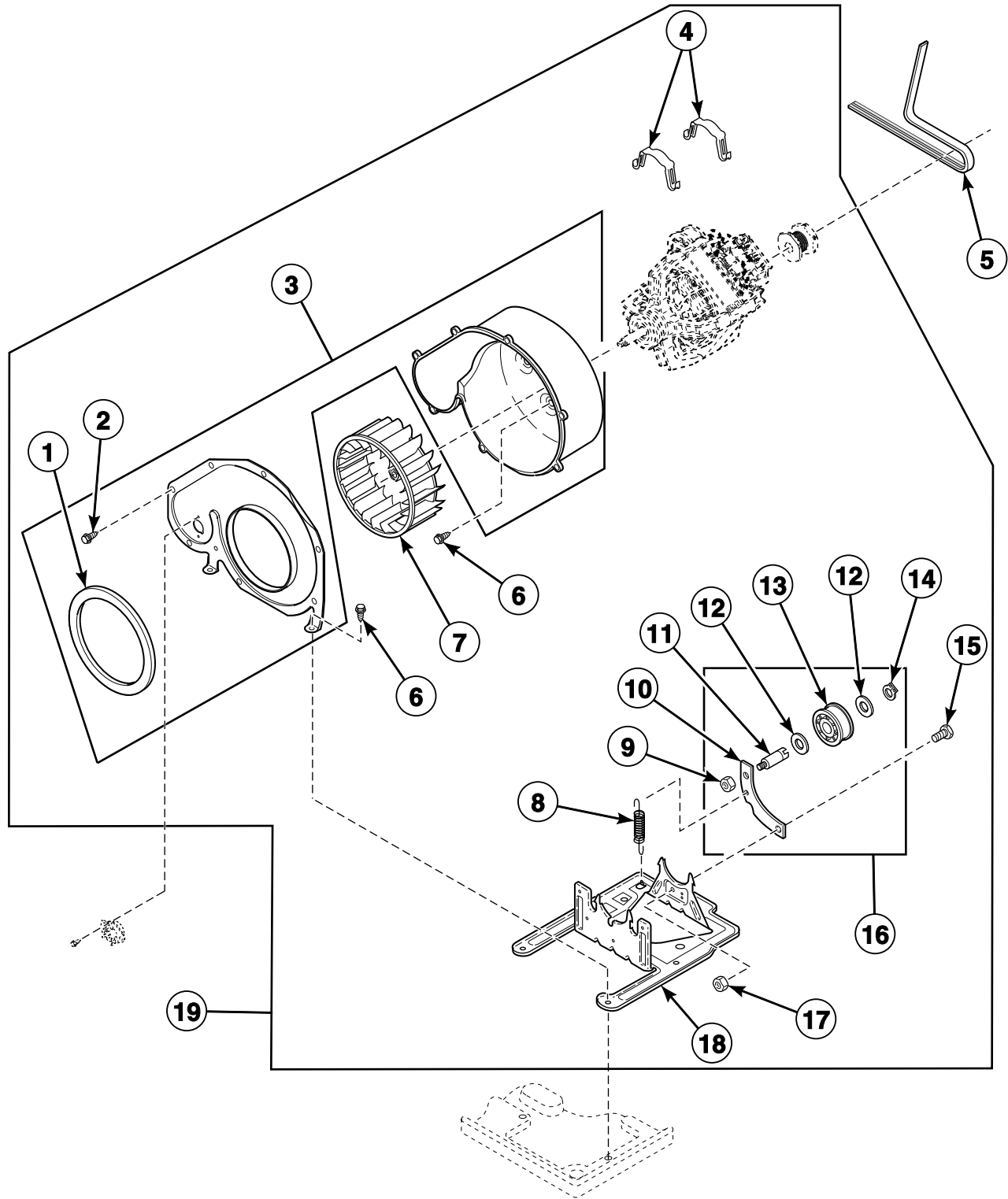


DRY2084PA_803403

Dryer Motor

REF	PART NO.	DESCRIPTION	COMMENTS
1	505869P	Motor and Pulley Assembly	240 Volt/60 Hertz; Includes item 2; Models NTHLXFSP571NW01, NTHLXFSP572NW01, NTHLYFSP571NW01, NTHLYFSP572NW01, STLNXFSP542NW23, STLNYFSP541NW23 and STLNYFSP542NW23
	511629P	Motor and Pulley Assembly	120 Volt/60 Hertz; Includes item 2; Models HTELXFSP281CW01, HTELXFSP291CW01, HTELYFSP281CW01, HTELYFSP291CW01, HTENXFSP281CW01, HTENXFSP282CW01, HTENXFSP291CW01, HTENXFSP292CW01, HTENYFSP281CW01, HTENYFSP282CW01, HTENYFSP291CW01, HTENYFSP292CW01, HTGLXFSP091CW01, HTGNXFSP091CW01, HTGNXFSP092CW01, STELCFSP171TW01, STELXFSP171TW01, STELYFSP171TW01, STENCFSP171TW01, STENCFSP172TW01, STENXFSP171TW01, STENXFSP172TW01, STENYFSP171TW01, STENYFSP172TW01, STGLCFSP111TW01, STGLCFSP111TWNA, STGLXFSG111TW01, STGLXFSP111TW01, STGLYFSP111TW01, STGLYFSP111TWNA, STGNCFSP111TW01, STGNCFSP112TW01, STGNXFSG082JW01, STGNXFSG111TW01, STGNXFSG112TW01, STGNXFSP111TW01, STGNXFSP112TW01, STGNXFSP111TW01 and STGNXFSP112TW01
	505843P	Motor and Pulley Assembly	240 Volt/50 Hertz; Includes item 2; All other models
2	500011	Motor Pulley	60 Hertz
	500222	Motor Pulley	50 Hertz
3	590P3	Motor Hub Ring Kit	

Blower Fan and Belt

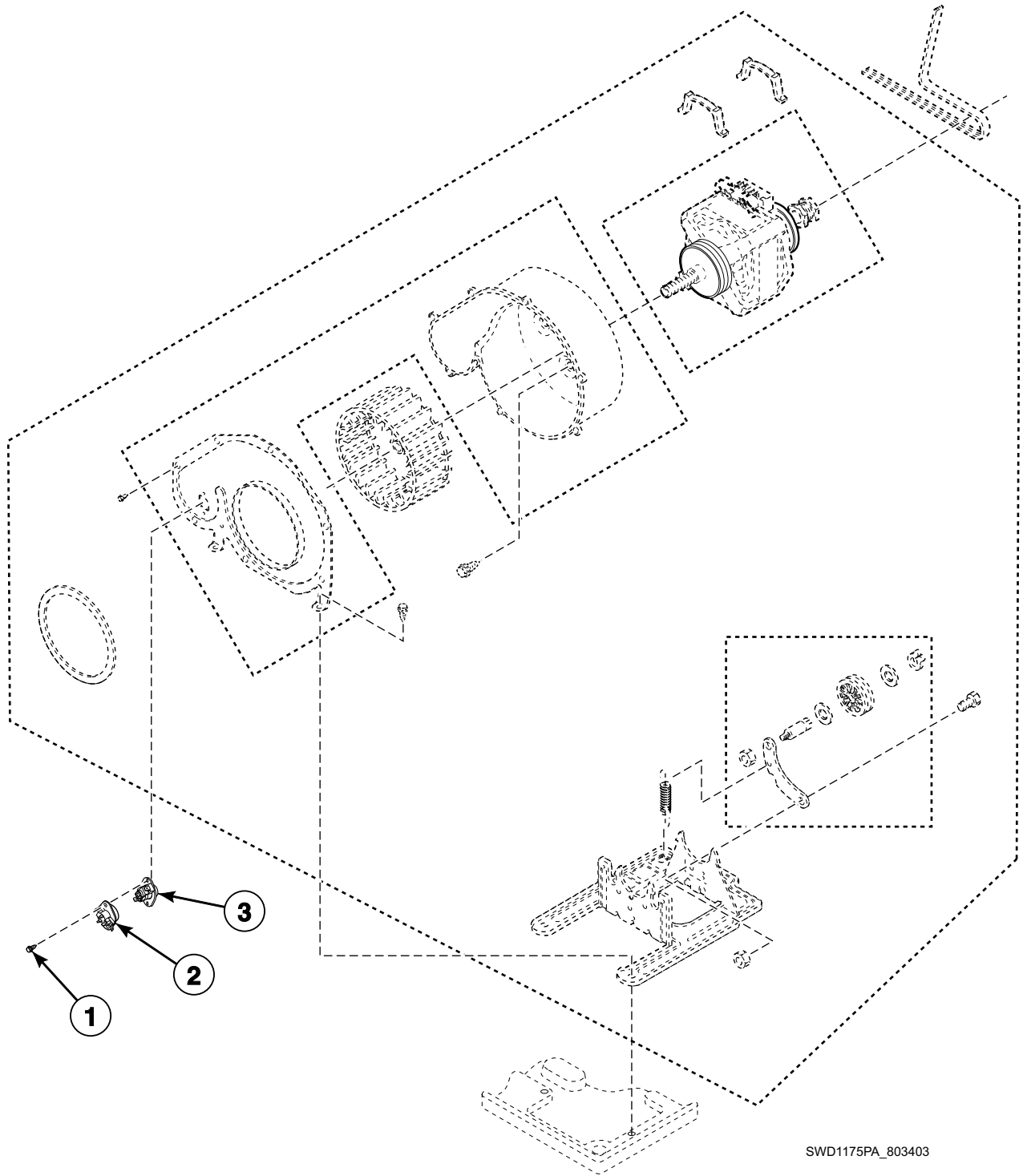


DRY2084P_803403

Blower Fan and Belt

REF	PART NO.	DESCRIPTION	COMMENTS
1	510238P	Blower Housing Seal	
2	31260	Screw	
3	511969WP	Blower Housing	Includes items 1 and 2
4	510180	Motor Mount Clamp	
5	511255P	Cylinder Belt	
6	503688	Screw	
7	510139P	Blower Fan Assembly	
8	510185	Idler Spring	
9	56156	Nut	
10	510133	Idler Lever	
11	56461P	Shaft	
12	52549	Washer	
13	510142P	Idler Wheel and Bearing Assembly	
14	23748	Retaining Ring	
15	500824	Screw	
16	510158	Idler Lever and Wheel Assembly	Includes items 9-14
17	52566	Nut	
18	510060	Motor Mount	
19	510717P	Blower and Fan Kit	120 Volt/60 Hertz; Includes items 1-4, 6-18 and motor assembly; Models HTELCFSP281CW01, HTELCFSP291CW01, HTELYFSP281CW01, HTELYFSP291CW01, HTENXFSP281CW01, HTENXFSP282CW01, HTENXFSP291CW01, HTENXFSP292CW01, HTENYFSP281CW01, HTENYFSP282CW01, HTENYFSP291CW01, HTENYFSP292CW01, HTGLXFSP091CW01, HTGNXFSP091CW01, HTGNXFSP092CW01, STELCFSP171TW01, STELCFSP171TW01, STELYFSP171TW01, STENCFSP171TW01, STENCFSP172TW01, STENXFSP171TW01, STENXFSP172TW01, STENYFSP171TW01, STENYFSP172TW01, STGLCFSP111TW01, STGLCFSP111TWNA, STGLXFSG111TW01, STGLXFSP111TW01, STGLYFSP111TW01, STGLYFSP111TWNA, STGNCFSP111TW01, STGNCFSP112TW01, STGNXFSG082JW01, STGNXFSG111TW01, STGNXFSG112TW01, STGNXFSP111TW01, STGNXFSP112TW01, STGNYFSP111TW01 and STGNYFSP112TW01

Thermistor and Thermostat

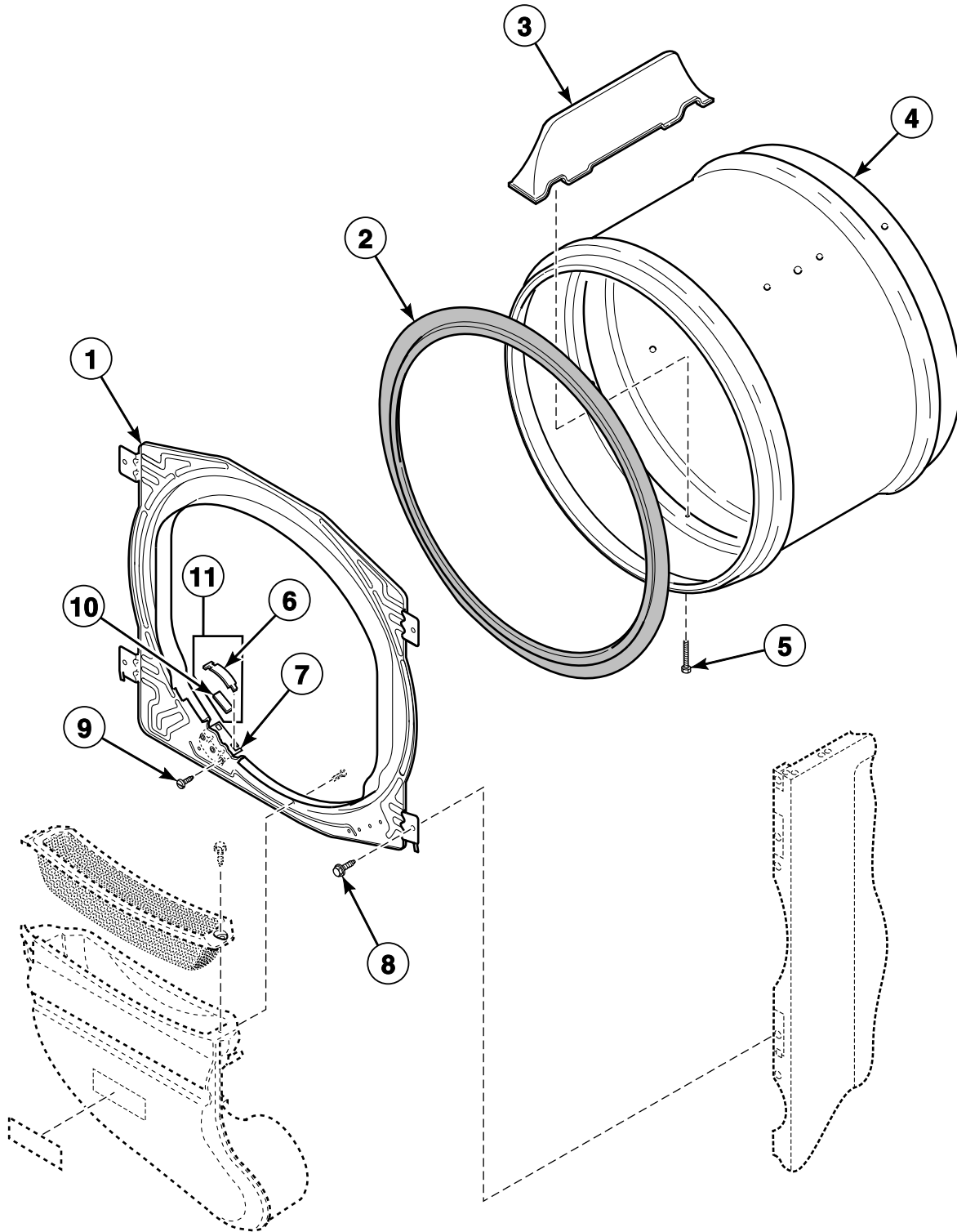


SWD1175PA_803403

Thermistor and Thermostat

REF	PART NO.	DESCRIPTION	COMMENTS
1	23222	Screw	
2	510523	Thermistor Assembly	Models HTELCFSP281CW01, HTELCFSP291CW01, HTELYFSP281CW01, HTELYFSP291CW01, HTENXFSP281CW01, HTENXFSP282CW01, HTENXFSP291CW01, HTENXFSP292CW01, HTENYFSP281CW01, HTENYFSP282CW01, HTENYFSP291CW01, HTENYFSP292CW01, HTGLXFSP091CW01, HTGNXFSP091CW01, HTGNXFSP092CW01, STELCFSP171TW01, STELCFSP171TW01, STELYFSP171TW01, STENCFSP171TW01, STENCFSP172TW01, STENXFSP171TW01, STENXFSP172TW01, STENYFSP171TW01, STENYFSP172TW01, STGLCFSP111TW01, STGLCFSP111TWNA, STGLXFSG111TW01, STGLXFSP111TW01, STGLYFSP111TW01, STGLYFSP111TWNA, STGNCFSP111TW01, STGNCFSP112TW01, STGNXFSG082JW01, STGNXFSG111TW01, STGNXFSG112TW01, STGNXFSP111TW01, STGNXFSP112TW01, STGNYFSP111TW01, STGNYFSP112TW01, STLNXFSP542NW23, STLNYFSP541NW23 and STLNYFSP542NW23
	502366	Thermistor Assembly	All other models
3	M411941	Manual Reset Thermostat	Models STGLXFSP301AW01 and STGLXFSP302AW01

Front Bulkhead, Felt Seal and Cylinder

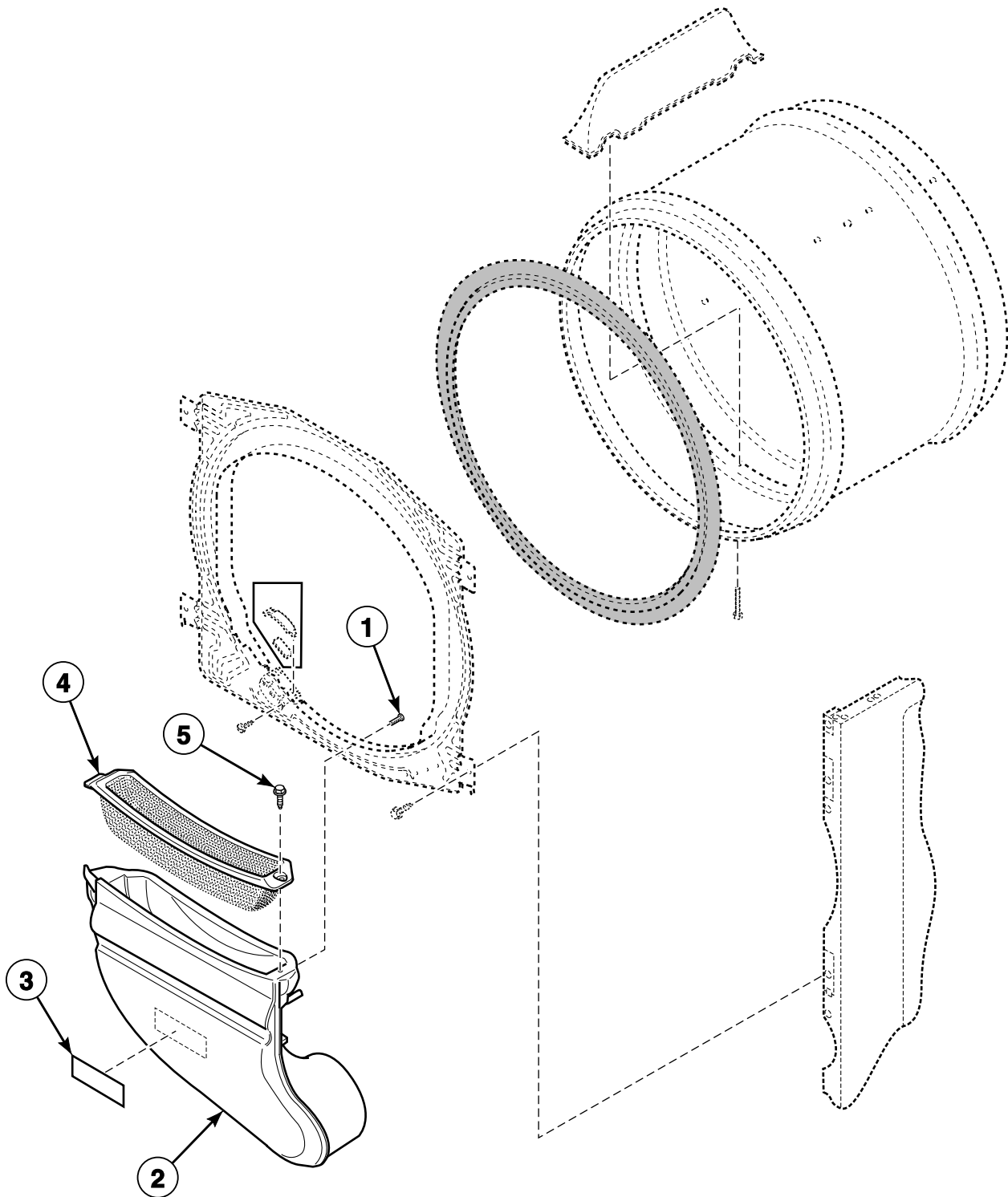


SWD1174P_803403

Front Bulkhead, Felt Seal and Cylinder

REF	PART NO.	DESCRIPTION	COMMENTS
1	510266P	Front Bulkhead Assembly	Unpainted; Includes item 2
2	510207P	Cylinder Seal Assembly	
	511637P	Adhesive	For cylinder seal
	RB170001	Seal Kit	Includes 2 cylinder seals, 510238P Blower Housing Seal and 511637P Adhesive
3	510102LG	Cylinder Baffle	Models HTENXFSP282CW01, HTENXFSP292CW01, HTENYFSP282CW01, HTENYFSP292CW01, STENCFSP172TW01, STENXFSP172TW01 and STENYFSP172TW01 starting Serial No. 1303025315; Models BT3LLFSG401UN01, BT3LLFSP401UN01, BT3LLFSP402UN01, BT3LXFSG401UN01, BT3LXFSP401UN01, BT3LXFSP402UN01, JT1DMFSG411EN01, JT1DMFSG411EN06, JT2DMFSG411EN01, JT2DMFSG411EN06, NT1LXFSP401UN01, NT2LLFSP401UN01, NT2LLFSP402UN01, NT2LXFSP401UN01, NT2LXFSP402UN01, NT3LLFSP401NN22, NT3LLFSP402NN22, NT3LLFSP401UN01, NT3LLFSP402UN01, NT3LXFSP401UN01 and NT3LXFSP402UN01
	510102W	Cylinder Baffle	All other models; Models HTENXFSP282CW01, HTENXFSP292CW01, HTENYFSP282CW01, HTENYFSP292CW01, STENCFSP172TW01, STENXFSP172TW01 and STENYFSP172TW01 through Serial No. 1303025314
4	505929LG	Cylinder Assembly	Models BT3LLFSG401UN01, BT3LLFSP401UN01, BT3LLFSP402UN01, BT3LXFSG401UN01, BT3LXFSP401UN01, BT3LXFSP402UN01, JT1DMFSG411EN01, JT1DMFSG411EN06, JT2DMFSG411EN01, JT2DMFSG411EN06, NT1LXFSP401UN01, NT2LLFSP401UN01, NT2LLFSP402UN01, NT2LXFSP401UN01, NT2LXFSP402UN01, NT3LLFSP401NN22, NT3LLFSP402NN22, NT3LLFSP401UN01, NT3LLFSP402UN01, NT3LXFSP401UN01 and NT3LXFSP402UN01; Stainless steel; Includes item 3
	510265LG	Cylinder Assembly	Models HTENXFSP282CW01, HTENXFSP292CW01, HTENYFSP282CW01, HTENYFSP292CW01, STENCFSP172TW01, STENXFSP172TW01 and STENYFSP172TW01; Models starting Serial No. 1303025315; Includes item 3
	510265WP	Cylinder Assembly	All other models; Models HTENXFSP282CW01, HTENXFSP292CW01, HTENYFSP282CW01, HTENYFSP292CW01, STENCFSP172TW01, STENXFSP172TW01 and STENYFSP172TW01 through Serial No. 1303025314; Galvanized; Includes item 3
5	62588	Screw	
6	510188	Cylinder Glide	
7	510145	Cylinder Glide Bracket	
8	503688	Screw	
9	505295	Screw	
10	510189	Felt Pad	
11	RB170003	Glide Kit	Includes items 6 and 7

Air Duct Assembly

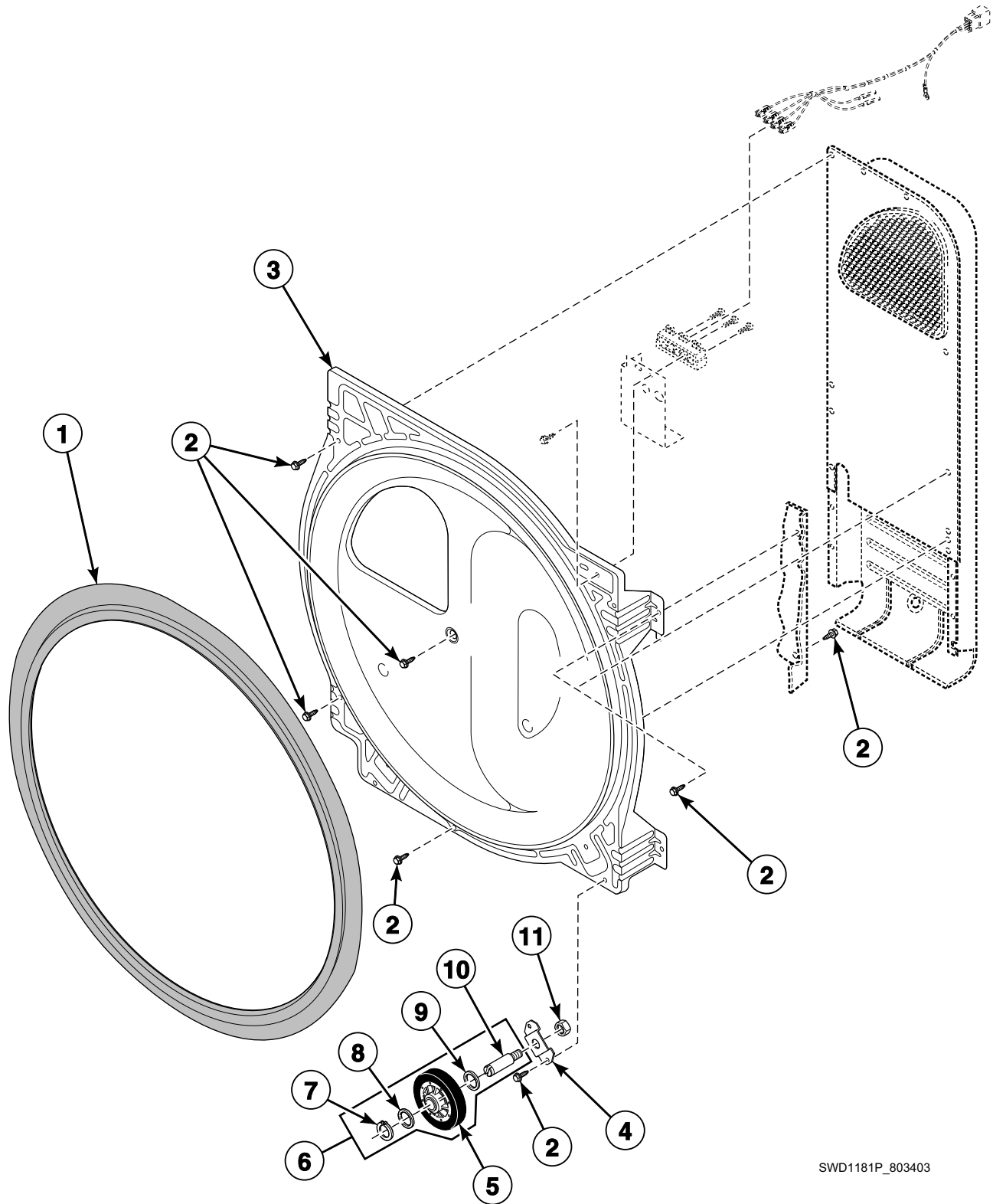


SWD1174PA_803403

Air Duct Assembly

REF	PART NO.	DESCRIPTION	COMMENTS
1	52864	Screw	
2	510151LG	Air Duct Assembly	Models BT3LLFSG401UN01, BT3LLFSP401UN01, BT3LLFSP402UN01, BT3LXFSG401UN01, BT3LXFSP401UN01, BT3LXFSP402UN01, JT1DMFSG411EN01, JT1DMFSG411EN06, JT2DMFSG411EN01, JT2DMFSG411EN06, NT1LXFSP401UN01, NT2LLFSP401UN01, NT2LLFSP402UN01, NT2LXFSP401UN01, NT2LXFSP402UN01, NT3LLFSP401NN22, NT3LLFSP402UN01, NT3LLFSP401UN01, NT3LLFSP402UN01, NT3LXFSP401UN01 and NT3LXFSP402UN01; Models HTENXFSP282CW01, HTENXFSP292CW01, HTENYFSP282CW01, HTENYFSP292CW01, STENCFSP172TW01, STENXFSP172TW01 and STENYFSP172TW01 starting Serial No. 1303025315
	510151W	Air Duct Assembly	Models HTENXFSP282CW01, HTENXFSP292CW01, HTENYFSP282CW01, HTENYFSP292CW01, STENCFSP172TW01, STENXFSP172TW01 and STENYFSP172TW01 through Serial No. 1303025314; All other models
3	61294	Fuse Notice Label	Electric models
4	503980LG	Lint Filter	Models BT3LLFSG401UN01, BT3LLFSP401UN01, BT3LLFSP402UN01, BT3LXFSG401UN01, BT3LXFSP401UN01, BT3LXFSP402UN01, JT1DMFSG411EN01, JT1DMFSG411EN06, JT2DMFSG411EN01, JT2DMFSG411EN06, NT1LXFSP401UN01, NT2LLFSP401UN01, NT2LLFSP402UN01, NT2LXFSP401UN01, NT2LXFSP402UN01, NT3LLFSP401NN22, NT3LLFSP402UN01, NT3LLFSP401UN01, NT3LLFSP402UN01, NT3LXFSP401UN01 and NT3LXFSP402UN01; Models HTENXFSP282CW01, HTENXFSP292CW01, HTENYFSP282CW01, HTENYFSP292CW01, STENCFSP172TW01, STENXFSP172TW01 and STENYFSP172TW01 starting Serial No. 1303025315
	503980W	Lint Filter	Models HTENXFSP282CW01, HTENXFSP292CW01, HTENYFSP282CW01, HTENYFSP292CW01, STENCFSP172TW01, STENXFSP172TW01 and STENYFSP172TW01 through Serial No. 1303025314; All other models
5	501285	Screw	

Rear Bulkhead, Felt Seal and Cylinder Roller

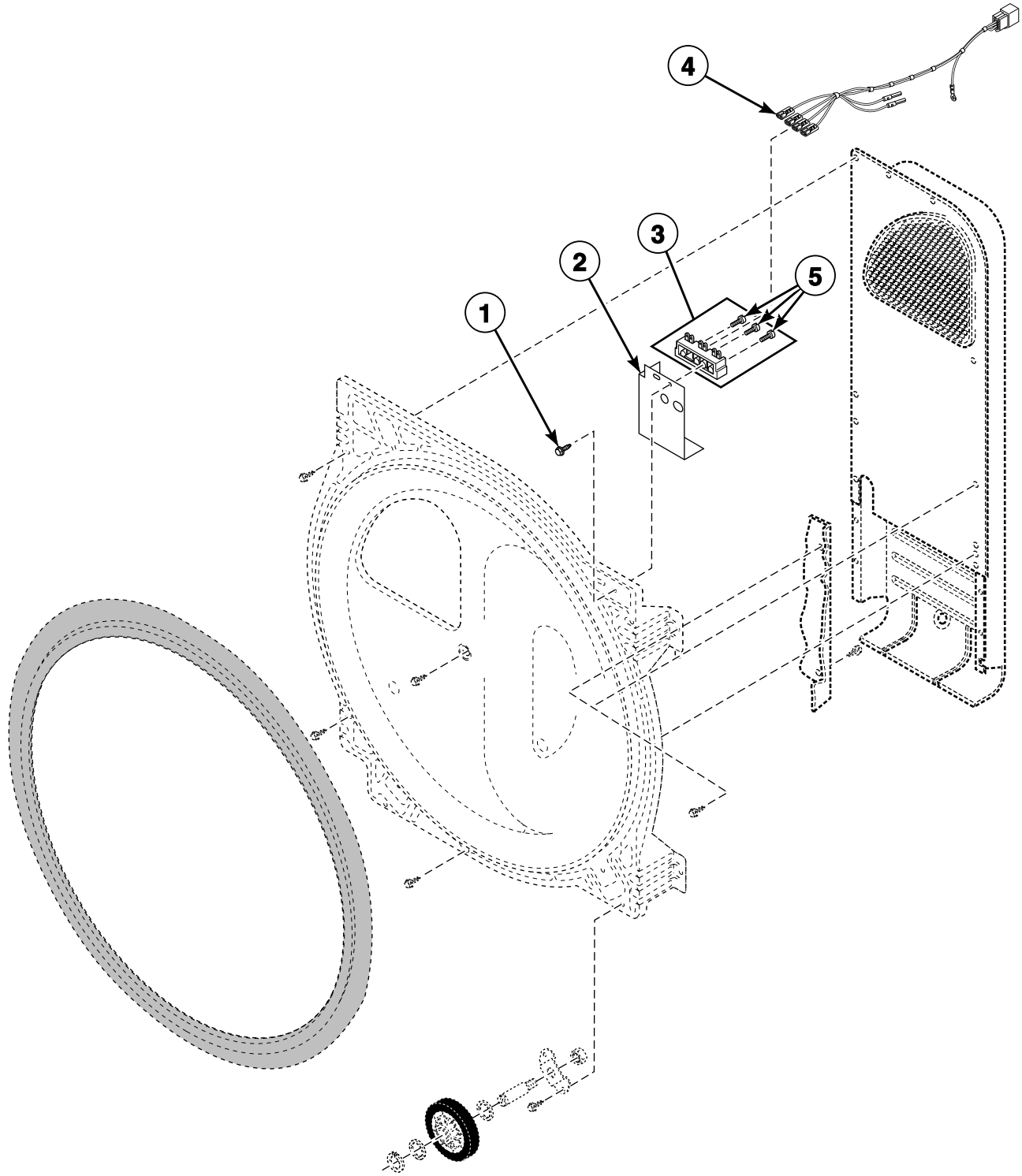


SWD1181P_803403

Rear Bulkhead, Felt Seal and Cylinder Roller

REF	PART NO.	DESCRIPTION	COMMENTS
1	510207P	Cylinder Seal Assembly	
2	503688	Screw	
	511637P	Adhesive	For cylinder seal
	RB170001	Seal Kit	Includes 2 cylinder seals, 510238P Blower Housing Seal and 511637P Adhesive
3	505246	Rear Bulkhead Assembly	Stainless steel; Includes item 1; Models BT3LLFSG401UN01, BT3LLFSP401UN01, BT3LLFSP402UN01, BT3LXFSG401UN01, BT3LXFSP401UN01, BT3LXFSP402UN01, JT1DMFSG411EN01, JT1DMFSG411EN06, JT2DMFSG411EN01, JT2DMFSG411EN06, NT1LXFSP401UN01, NT2LLFSP401UN01, NT2LLFSP402UN01, NT2LXFSP401UN01, NT2LXFSP402UN01, NT3LLFSP401NN22, NT3LLFSP402NN22, NT3LLFSP401UN01, NT3LLFSP402UN01, NT3LXFSP401UN01 and NT3LXFSP402UN01
	511082P	Rear Bulkhead Assembly	Galvanized; Includes item 1; All other models
4	510100	Cylinder Roller Bracket	
5	510708P	Cylinder Roller	
6	RB170002	Roller Kit	Includes items 5 and 7-10
7	23748	Retaining Ring	
8	52549	Washer	
9	504082	Washer	
10	56461P	Shaft	
11	56156	Nut	

Terminal Block



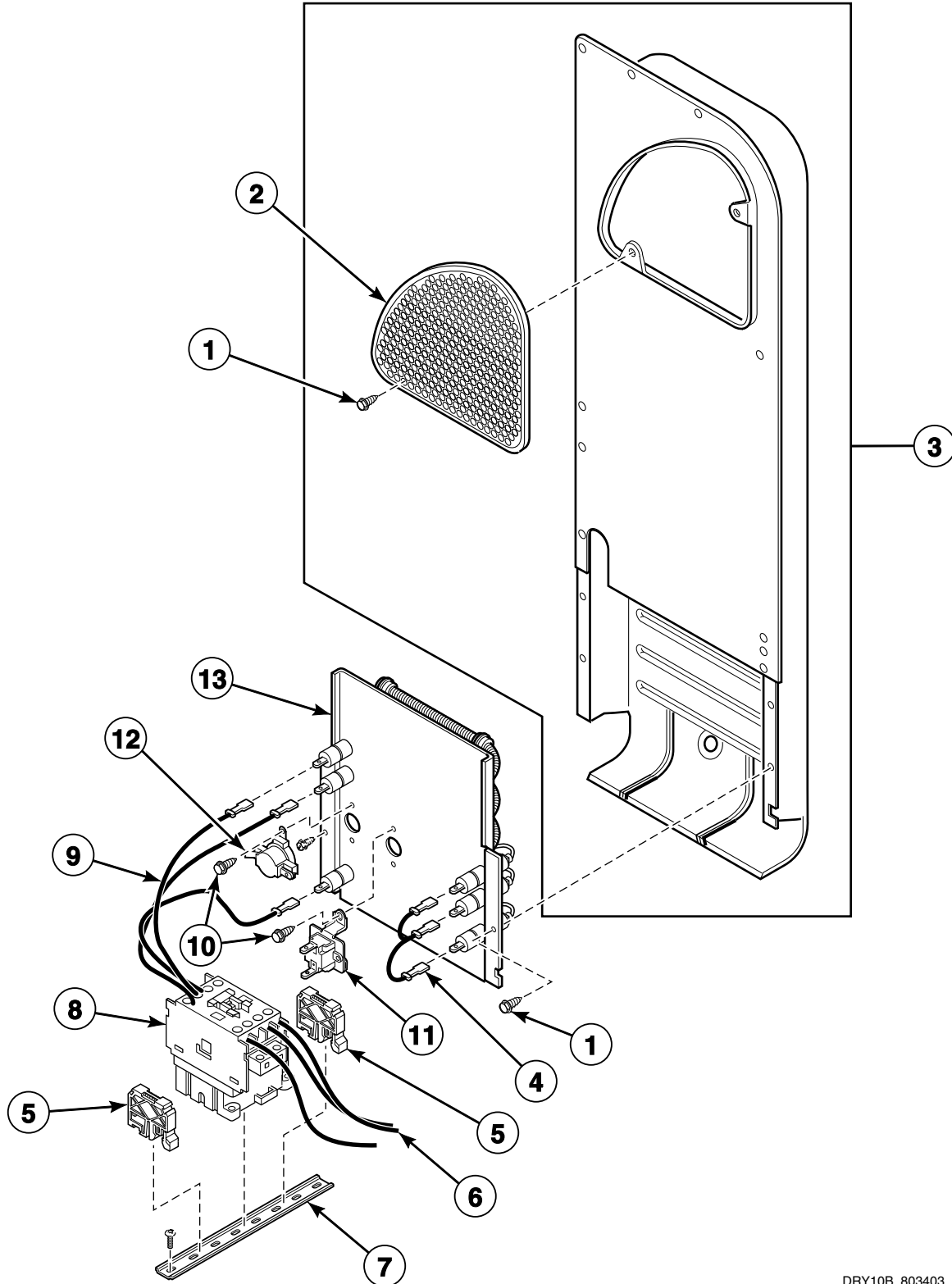
SWD1181PA_803403

Terminal Block

REF	PART NO.	DESCRIPTION	COMMENTS
1	501285	Screw	Electric models
2	505875	Terminal Block Support Bracket	Models BT3LLFSG401UN01, BT3LLFSG401UW01, BT3LLFSG402UW01, BT3LLFSP401UN01, BT3LLFSP402UN01, BT3LLFSP401UW01, BT3LLFSP402UW01, BT3LXFSG401UN01, BT3LXFSG401UW01, BT3LXFSG402UW01, BT3LXFSP401UN01, BT3LXFSP402UN01, BT3LXFSP401UW01, BT3LXFSP402UW01, NT3LLFSG401UW01, NT3LLFSG402UW01, NT3LLFSP401NN22, NT3LLFSP402NN22, NT3LLFSP401NW22, NT3LLFSP402NW22, NT3LLFSP401UN01, NT3LLFSP402UN01, NT3LLFSP401UW01, NT3LLFSP402UW01, NT3LXFSG401UW01, NT3LXFSG402UW01, NT3LXFSP401UN01, NT3LXFSP402UN01, NT3LXFSP401UW01, NT3LXFSP402UW01, NT3LXFSP402NW22, ST3LXFSP401NW22 and ST3LXFSP402NW22
	510237	Terminal Block Shield	All other electric models
3	505876	Terminal Block Assembly	Models BT3LLFSG401UN01, BT3LLFSG401UW01, BT3LLFSG402UW01, BT3LLFSP401UN01, BT3LLFSP402UN01, BT3LLFSP401UW01, BT3LLFSP402UW01, BT3LXFSG401UN01, BT3LXFSG401UW01, BT3LXFSG402UW01, BT3LXFSP401UN01, BT3LXFSP402UN01, BT3LXFSP401UW01, BT3LXFSP402UW01, NT3LLFSG401UW01, NT3LLFSG402UW01, NT3LLFSP401NN22, NT3LLFSP402NN22, NT3LLFSP401NW22, NT3LLFSP402NW22, NT3LLFSP401UN01, NT3LLFSP402UN01, NT3LLFSP401UW01, NT3LLFSP402UW01, NT3LXFSG401UW01, NT3LXFSG402UW01, NT3LXFSP401UN01, NT3LXFSP402UN01, NT3LXFSP401UW01, NT3LXFSP402UW01, NT3LXFSP402NW22, ST3LXFSP401NW22 and ST3LXFSP402NW22
	510190P	Terminal Block Assembly	Includes (3) of item 4; All models except BT3LLFSG401UN01, BT3LLFSG401UW01, BT3LLFSG402UW01, BT3LLFSP401UN01, BT3LLFSP402UN01, BT3LLFSP401UW01, BT3LLFSP402UW01, BT3LXFSG401UN01, BT3LXFSG401UW01, BT3LXFSG402UW01, BT3LXFSP401UN01, BT3LXFSP402UN01, BT3LXFSP401UW01, BT3LXFSP402UW01, NT3LLFSG401UW01, NT3LLFSG402UW01, NT3LLFSP401NN22, NT3LLFSP402NN22, NT3LLFSP401NW22, NT3LLFSP402NW22, NT3LLFSP401UN01, NT3LLFSP402UN01, NT3LLFSP401UW01, NT3LLFSP402UW01, NT3LXFSG401UW01, NT3LXFSG402UW01, NT3LXFSP401UN01, NT3LXFSP402UN01, NT3LXFSP401UW01, NT3LXFSP402UW01, NT3LXFSP402NW22, ST3LXFSP401NW22, ST3LXFSP402NW22, STGLCFSP111TW01, STGLCFSP111TWNA, STGLXFSG111TW01, STGLXFSP111TW01, STGLYFSP111TW01, STGLYFSP111TWNA, STGNCFSP111TW01, STGNCFSP112TW01, STGNXFSG082JW01, STGNXFSG111TW01, STGNXFSG112TW01, STGNXFSP111TW01, STGNXFSP112TW01, STGNXFSP111TW01 and STGNXFSP112TW01
4	803150P	Power Harness Assembly	Power to washer; Models HTELXFSP281CW01, HTELXFSP291CW01, HTELYFSP281CW01, HTELYFSP291CW01, HTENXFSP281CW01, HTENXFSP282CW01, HTENXFSP291CW01, HTENXFSP292CW01, HTENYFSP281CW01, HTENYFSP282CW01, HTENYFSP291CW01, HTENYFSP292CW01, HTGLXFSP091CW01, HTGNXFSP091CW01 and HTGNXFSP092CW01
5	61199	Screw	

Heater Duct and Element Assembly (Drawing 1 of 2)

Models BT3LLFSG401UN01, BT3LLFSG401UW01, BT3LLFSG402UW01, BT3LLFSP401UN01, BT3LLFSP402UN01, BT3LLFSP401UW01, BT3LLFSP402UW01, BT3LXFSG401UN01, BT3LXFSG401UW01, BT3LXFSG402UW01, BT3LXFSP401UN01, BT3LXFSP402UN01, BT3LXFSP401UW01, BT3LXFSP402UW01, NT3LLFSG401UW01, NT3LLFSG402UW01, NT3LLFSP401NN22, NT3LLFSP402NN22, NT3LLFSP401NW22, NT3LLFSP402NW22, NT3LLFSP401UN01, NT3LLFSP402UN01, NT3LLFSP401UW01, NT3LLFSP402UW01, NT3LXFSG401UW01, NT3LXFSG402UW01, NT3LXFSP401UN01, NT3LXFSP402UN01, NT3LXFSP401UW01, NT3LXFSP402UW01, NT3LXFSP402NW22, ST3LXFSP401NW22 and ST3LXFSP402NW22



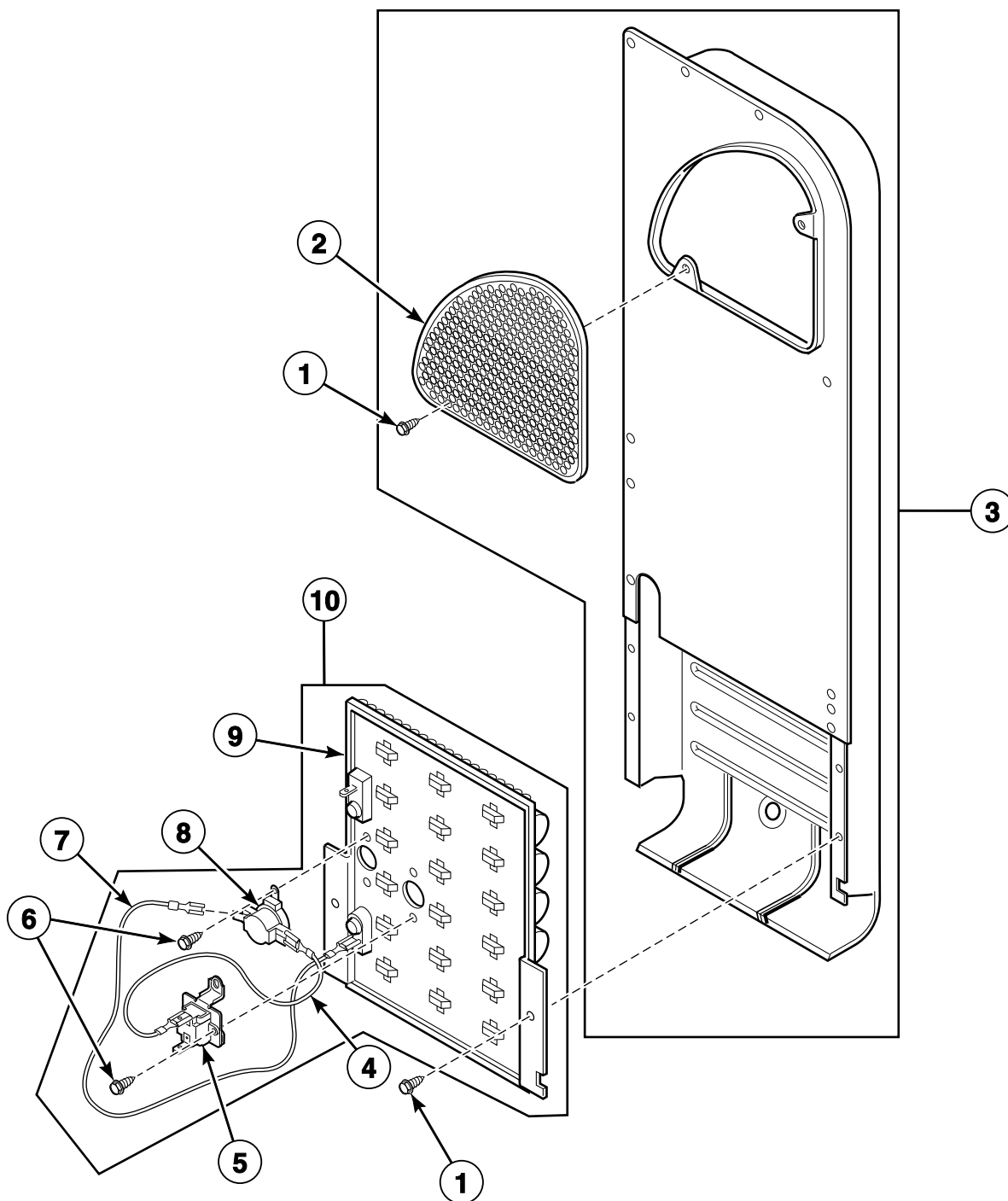
DRY10B_803403

Heater Duct and Element Assembly (Drawing 1 of 2)

REF	PART NO.	DESCRIPTION	COMMENTS
	756P3	Conversion Kit	400 Volt, 4 wire WYE to 240 Volt, 3 wire Delta
1	503688	Screw	
2	500820	Outlet Cover	
3	510025P	Heater Duct and Screw Assembly	Includes items 1 and 2
4	511270	Jumper Wire Assembly	3 Phase
5	70121001	End Stop	
6	511112P	Block to Relay Harness	Terminal block to contactor
7	M412693	Din Rail	
8	F330177P	Contactor	
9	511114P	Relay to Heater Harness	Contactor to heater
10	23222	Screw	
11	511412	Thermal Fuse Assembly	
12	510701	Limit Thermostat	
13	511014P	Heater	400 Volt/3 Phase

Heater Duct and Element Assembly (Drawing 2 of 2)

All Electric Model Dryers Except BT3LLFSG401UN01, BT3LLFSG401UW01, BT3LLFSG402UW01, BT3LLFSP401UN01, BT3LLFSP402UN01, BT3LLFSP401UW01, BT3LLFSP402UW01, BT3LXFSG401UN01, BT3LXFSG401UW01, BT3LXFSG402UW01, BT3LXFSP401UN01, BT3LXFSP402UN01, BT3LXFSP401UW01, BT3LXFSP402UW01, NT3LLFSG401UW01, NT3LLFSG402UW01, NT3LLFSP401NN22, NT3LLFSP402NN22, NT3LLFSP401NW22, NT3LLFSP402NW22, NT3LLFSP401UN01, NT3LLFSP402UN01, NT3LLFSP401UW01, NT3LLFSP402UW01, NT3LXFSG401UW01, NT3LXFSG402UW01, NT3LXFSP401UN01, NT3LXFSP402UN01, NT3LXFSP401UW01, NT3LXFSP402UW01, NT3LXFSP402NW22, ST3LXSP401NW22, ST3LXSP402NW22



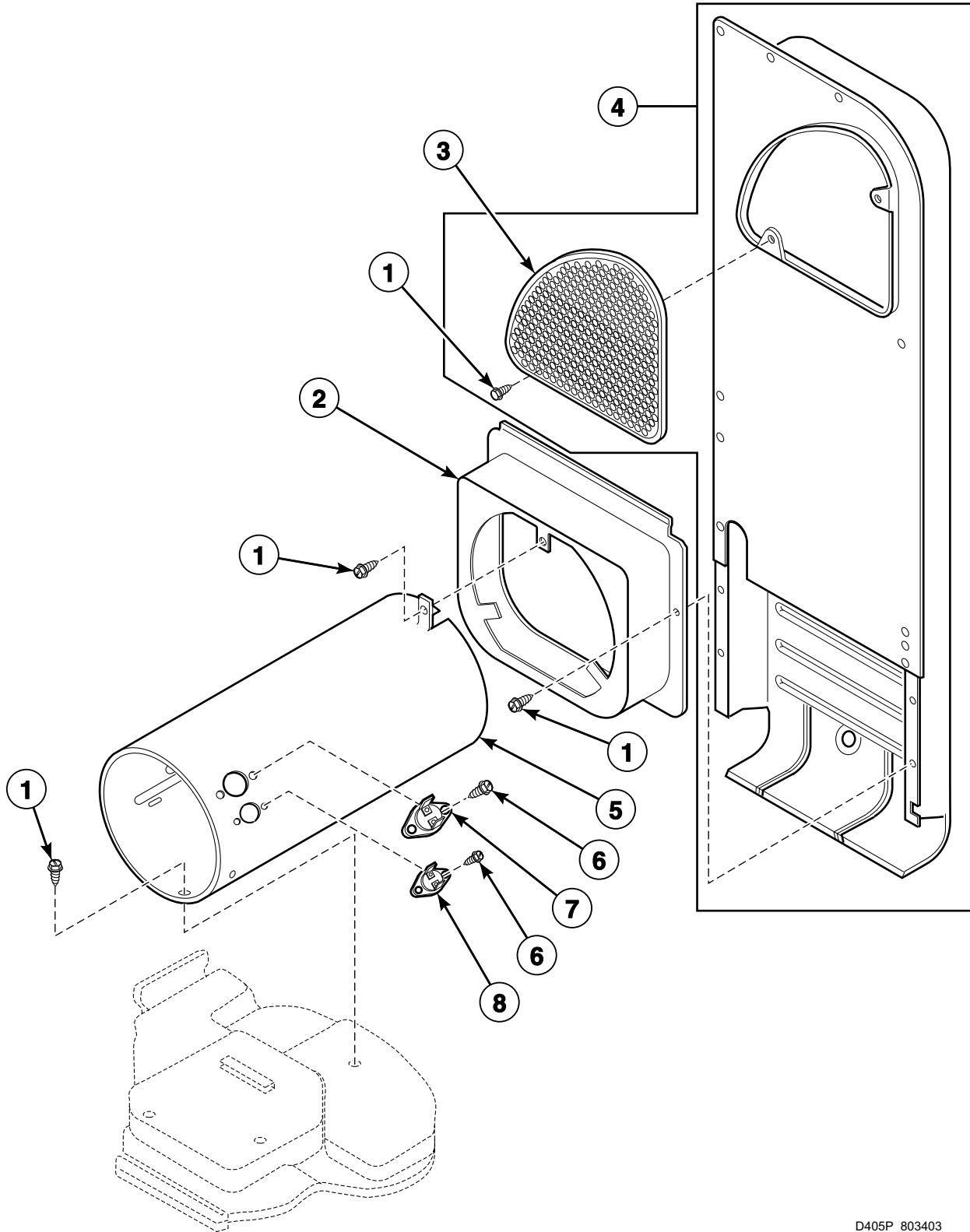
DRY1789P_803403

Heater Duct and Element Assembly (Drawing 2 of 2)

REF	PART NO.	DESCRIPTION	COMMENTS
1	503688	Screw	
2	500820	Outlet Cover	
3	510025P	Heater Duct and Screw Assembly	Includes item 2
4	510528	Wire Assembly	Orange; Thermostat jumper
5	511412	Thermal Fuse Assembly	
6	23222	Screw	
7	510527	Wire Assembly	Black; Fuse jumper
8	510701	Limit Thermostat	
9	510326P	Heater Assembly	Models JT1DEFSP411EW01, JT1DGFSP411EW01, JT1DGFSP411EW06, JT1DMFSG411EN01, JT1DMFSG411EN06, JT1DXFSP411EW01, JTEDEFSP301EW01, JTEDXFSP301EW01, NT1LLFSP411UW06, NT1LLFSP412UW06, NT1LXFSP401UN01, NT1LXFSP401UW01, NT1LXFSP402UW01, NT1LXFSP402UW06 and STEWYFSP302NW25; 4800 Watt; 240 Volt/50 Hertz
	510324P	Heater Assembly	Models HTELYFSP281CW01, HTELYFSP281CW01, HTENXFSP281CW01, HTENXFSP282CW01, HTENYFSP281CW01, HTENYFSP282CW01, NTHLXFSP571NW01, NTHLXFSP572NW01, NTHLYFSP571NW01 and NTHLYFSP572NW01; 5000 Watt; 240 Volt/60 Hertz
	510330P	Heater Assembly	Models HTELYFSP291CW01, HTELYFSP291CW01, HTENXFSP291CW01, HTENXFSP292CW01, HTENYFSP291CW01 and HTENYFSP292CW01; 4250 Watt; 208 Volt/60 Hertz
	510329P	Heater Assembly	Models STELCFSP171TW01, STELCFSP171TW01, STELYFSP171TW01, STENCFSP171TW01, STENCFSP172TW01, STENXFSP171TW01, STENXFSP172TW01, STENYFSP171TW01 and STENYFSP172TW01; 5350 Watt; 240 Volt/60 Hertz
	510327P	Heater Assembly	Models STELCFSP431AW01 and STELCFSP432AW01; 4000 Watt; 240 Volt/50 Hertz
10	61928	Heater Kit Assembly	Includes items 4-9; Models STELCFSP171TW01, STELCFSP171TW01, STELYFSP171TW01, STENCFSP171TW01, STENCFSP172TW01, STENXFSP171TW01, STENXFSP172TW01, STENYFSP171TW01 and STENYFSP172TW01; 4750 Watt; 208 Volt/60 Hertz
	965P3	Heater Kit	Includes items 4-9; Models HTELYFSP291CW01, HTELYFSP291CW01, HTENXFSP291CW01, HTENXFSP292CW01, HTENYFSP291CW01 and HTENYFSP292CW01; 4250 Watt; 208 Volt/60 Hertz
	964P3	Heater Kit	Includes items 4-9; Models STELCFSP171TW01, STELCFSP171TW01, STELYFSP171TW01, STENCFSP171TW01, STENCFSP172TW01, STENXFSP171TW01, STENXFSP172TW01, STENYFSP171TW01 and STENYFSP172TW01; 5350 Watt; 240 Volt/60 Hertz
	61929	Heater Kit Assembly	Includes items 4-9; Models JT1DEFSP411EW01, JT1DGFSP411EW01, JT1DGFSP411EW06, JT1DMFSG411EN01, JT1DMFSG411EN06, JT1DXFSP411EW01, JTEDEFSP301EW01, JTEDXFSP301EW01, NT1LLFSP411UW06, NT1LLFSP412UW06, NT1LXFSP401UN01, NT1LXFSP401UW01, NT1LXFSP402UW01 and NT1LXFSP402UW06; 4800 Watt; 240 Volt/50 Hertz
	61927	Heater Kit Assembly	Includes items 4-9; Models HTELYFSP281CW01, HTELYFSP281CW01, HTENXFSP281CW01, HTENXFSP282CW01, HTENYFSP281CW01, HTENYFSP282CW01, NTHLXFSP571NW01, NTHLXFSP572NW01, NTHLYFSP571NW01 and NTHLYFSP572NW01; 5000 Watt; 240 Volt/60 Hertz
	61930	Heater Kit Assembly	Includes items 4-9; Models STELCFSP431AW01, STELCFSP432AW01 and STEWYFSP302NW25; 4000 Watt; 240 Volt/50 Hertz

Heater Duct Assembly

Gas Model Dryers



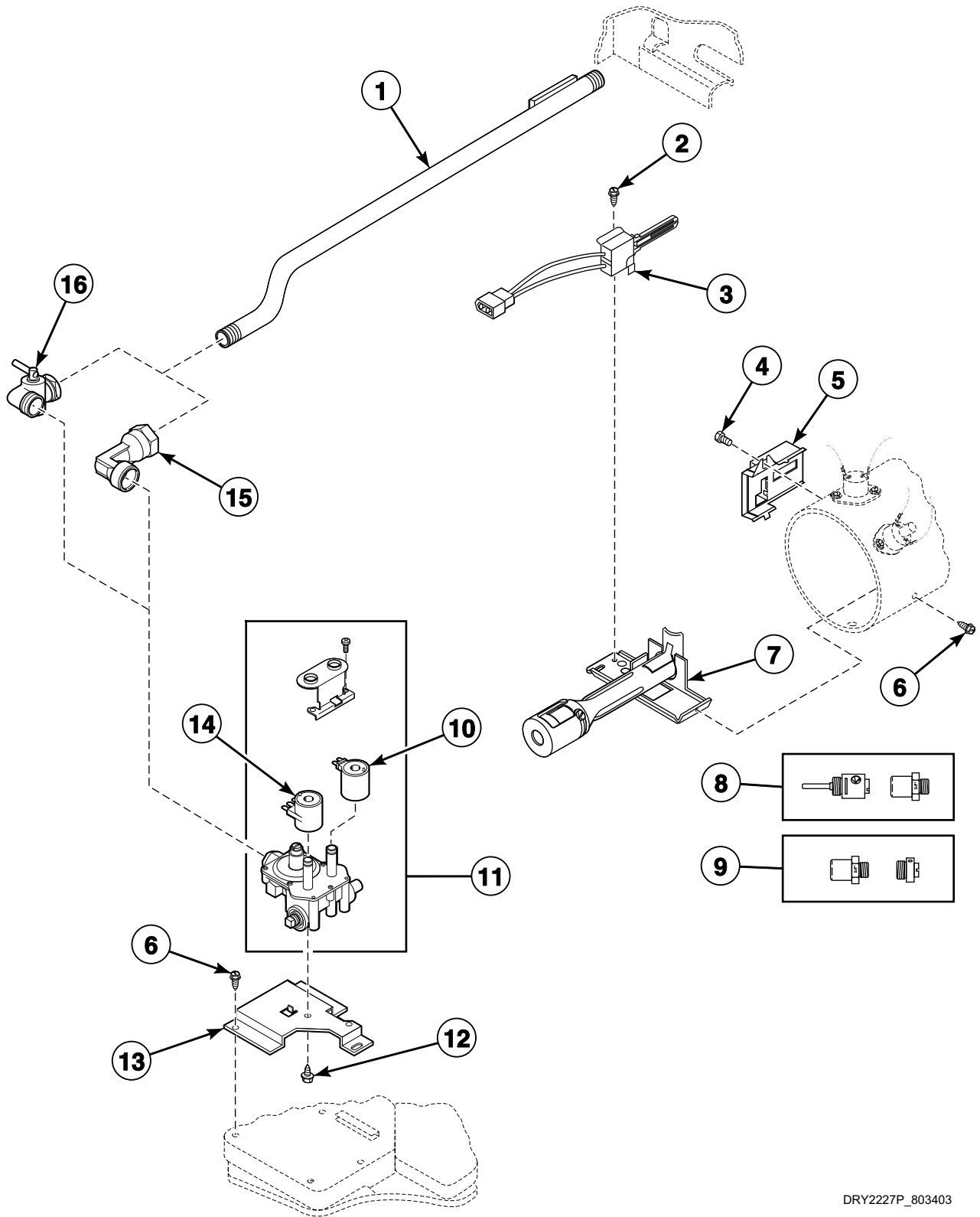
D405P_803403

Heater Duct Assembly

REF	PART NO.	DESCRIPTION	COMMENTS
1	503688	Screw	
2	510101	Heat Duct Shroud	
3	500820	Outlet Cover	
4	510025P	Heater Duct and Screw Assembly	Includes items 1 and 3
5	510131	Combustion Duct	Models JT2DEFSP411EW01, JT2DGFSP411EW01, JT2DGFSP411EW06, JT2DMFSG411EN01, JT2DMFSG411EN06, JT2DXFSP411EW01, JTGDEFSP301EW01, JTGDXFSP301EW01, STGLXFSP301AW01, STGLXFSP302AW01, STLNXFSP542NW23, STLNYFSP541NW23 and STLNYFSP542NW23
	510132	Combustion Duct	All other models
6	51782	Screw	
7	510702	Limit Thermostat	Color code "black"
8	510703	Thermostat	Models HTGLXFSP091CW01, HTGNXFSP091CW01, HTGNXFSP092CW01, NT2LLFSP401UN01, NT2LLFSP402UN01, NT2LLFSP401UW01, NT2LLFSP402UW01, NT2LLFSP401UW06, NT2LLFSP402UW06, NT2LXFSP401UN01, NT2LXFSP402UN01, NT2LXFSP401UW01, NT2LXFSP402UW01, NT2LXFSP402UW06, STGLCFSP111TW01, STGLCFSP111TWNA, STGLXFSG111TW01, STGLXFSP111TW01, STGLYFSP111TW01, STGLYFSP111TWNA, STGNCFSP111TW01, STGNCFSP112TW01, STGNXFSG082JW01, STGNXFSG111TW01, STGNXFSG112TW01, STGNXFSP111TW01, STGNXFSP112TW01, STGNXFSP111TW01 and STGNXFSP112TW01

Gas Valve, Igniter and Gas Conversion Kits

Gas Model Dryers



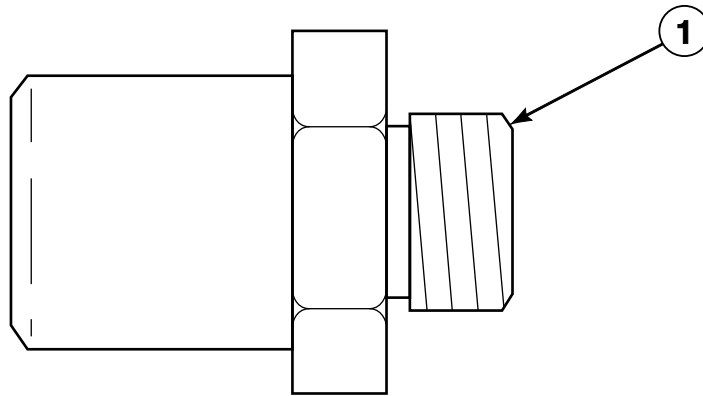
DRY2227P_803403

Gas Valve, Igniter and Gas Conversion Kits

REF	PART NO.	DESCRIPTION	COMMENTS
1	510204	Lead-In Pipe Assembly	
2	51782	Screw	
3	510184P	Igniter and Bracket Assembly	
4	23222	Screw	
5	510213	Sensor	
6	503688	Screw	
7	510149P	Burner Assembly	
8	600P3	L.P. Conversion Kit	Models JT2DEFSP411EW01, JT2DGFSP411EW01, JT2DGFSP411EW06, JT2DMFSG411EN01, JT2DMFSG411EN06, JT2DXFSP411EW01, NT2LLFSP401UN01, NT2LLFSP402UN01, NT2LLFSP401UW01, NT2LLFSP402UW01, NT2LLFSP401UW06, NT2LLFSP402UW06, NT2LXFSP401UN01, NT2LXFSP402UN01, NT2LXFSP401UW01, NT2LXFSP402UW01 and NT2LXFSP402UW06; Used to convert dryer from Natural Gas (N.G.) or Mixed Gas to Liquid Petroleum Gas (L.P.); 25,000 Btu
	458P3	L.P. Conversion Kit	All other models; Used to convert dryers from N.G. or Mixed Gas to L.P.; 25,000 Btu
9	459P3	N.G. Conversion Kit	Used to convert dryers from L.P. to N.G. or Mixed Gas; 25,000 Btu
10	58804B	Secondary Coil	
11	60443P	Valve Assembly	50 Hertz; 25,000 Btu; Models JT2DEFSP411EW01, JT2DGFSP411EW01, JT2DGFSP411EW06, JT2DMFSG411EN01, JT2DMFSG411EN06, JT2DXFSP411EW01, JTGDEFSP301EW01, JTGDXFSP301EW01, NT2LLFSP401UN01, NT2LLFSP402UN01, NT2LLFSP401UW01, NT2LLFSP402UW01, NT2LLFSP401UW06, NT2LLFSP402UW06, NT2LXFSP401UN01, NT2LXFSP402UN01, NT2LXFSP401UW01, NT2LXFSP402UW01, NT2LXFSP402UW06, STGLXFSP301AW01 and STGLXFSP302AW01
	60353P	Gas Valve Assembly	60 Hertz; 25,000 Btu; All other models
12	56124	Screw	
13	510128	Gas Valve Mounting Bracket	
14	58804A	Booster and Holding Coil	
15	513072	Elbow	Models STLNXFSP542NW23, STLNYFSP541NW23 and STLNYFSP542NW23
16	510205	Elbow Shut-Off Valve	All models except STLNXFSP542NW23, STLNYFSP541NW23 and STLNYFSP542NW23

Burner Orifice Spuds - For Higher Elevations

Gas Models

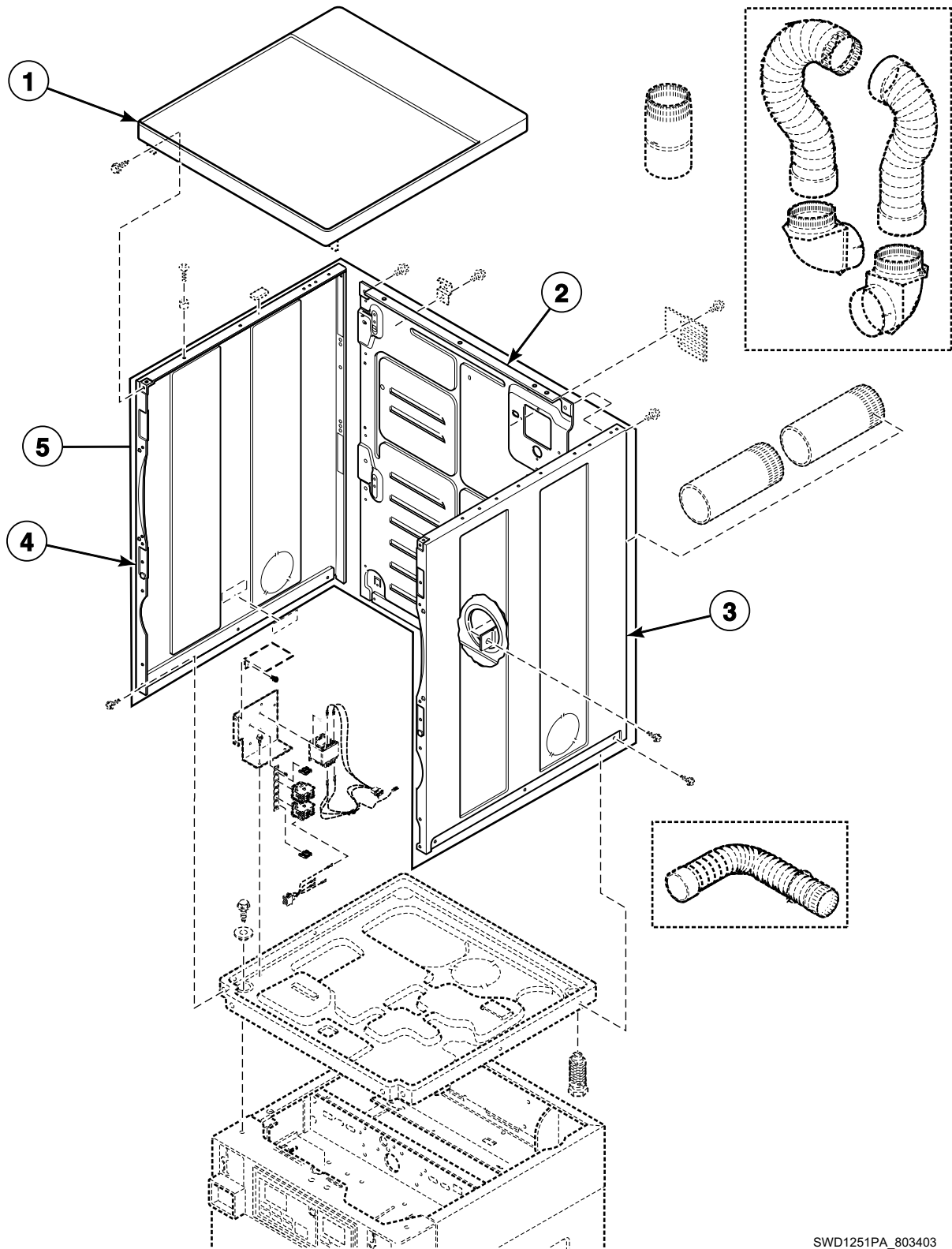


DRY2266P_803403

Burner Orifice Spuds - For Higher Elevations

REF	PART NO.	DESCRIPTION	COMMENTS
1	58755	L.P. Orifice	25,000 Btu; 7500-10,999 feet (2290-3354 m)
	503786	L.P. Orifice	25,000 Btu; 11,000 feet (3355 m) and higher
	58719	Screw Orifice	Natural Gas (N.G.); 25,000 Btu; 7000-8999 feet (2135-2744 m)
	503776	N.G. Orifice	25,000 Btu; 2000-2999 feet (610-914 m)
	510517	N.G. Orifice	25,000 Btu; 3000-5499 feet (915-1679 m)
	503778	N.G. Orifice	25,000 Btu; 5500-6999 feet (1680-2134 m)
	503779	N.G. Orifice	25,000 Btu; 9000-10,499 feet (2745-3199 m)
	503780	N.G. Orifice	25,000 Btu; 10,500 feet (3200 m) and higher

Dryer Cabinet - Panels

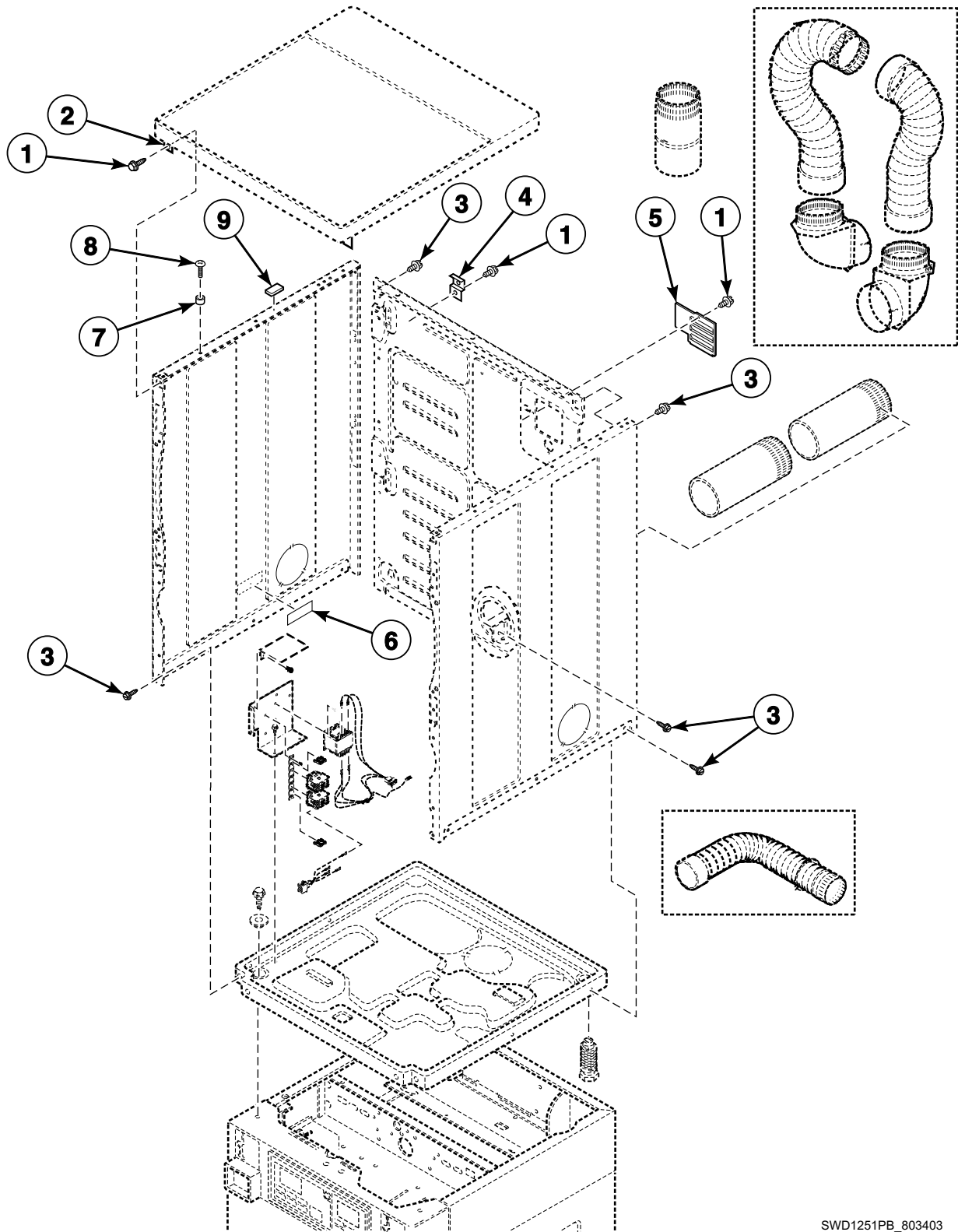


SWD1251PA_803403

Dryer Cabinet - Panels

REF	PART NO.	DESCRIPTION	COMMENTS
	122P4P	Porcelain Touch-Up Paint	White
	370P4P	Porcelain Touch-Up Paint	Bisque
1	803144P	Top Kit	Models BT3LLFSG401UN01, BT3LLFSP401UN01, BT3LLFSP402UN01, BT3LXFSG401UN01, BT3LXFSP401UN01, BT3LXFSP402UN01, JT1DMFSG411EN01, JT1DMFSG411EN06, JT2DMFSG411EN01, JT2DMFSG411EN06, NT1LXFSP401UN01, NT2LLFSP401UN01, NT2LLFSP402UN01, NT2LXFSP401UN01, NT2LXFSP402UN01, NT3LLFSP401NN22, NT3LLFSP402NN22, NT3LLFSP401UN01, NT3LLFSP402UN01, NT3LXFSP401UN01 and NT3LXFSP402UN01
	510032WP	Top Kit	All other models
2	510005P	Cabinet Rear Panel	
3	512539	Cabinet Side Panel	Right; Stainless steel; Models BT3LLFSG401UN01, BT3LLFSP401UN01, BT3LLFSP402UN01, BT3LXFSG401UN01, BT3LXFSP401UN01, BT3LXFSP402UN01, JT1DMFSG411EN01, JT1DMFSG411EN06, JT2DMFSG411EN01, JT2DMFSG411EN06, NT1LXFSP401UN01, NT2LLFSP401UN01, NT2LLFSP402UN01, NT2LXFSP401UN01, NT2LXFSP402UN01, NT3LLFSP401NN22, NT3LLFSP402NN22, NT3LLFSP401UN01, NT3LLFSP402UN01, NT3LXFSP401UN01 and NT3LXFSP402UN01
	510002GP	Cabinet Side Panel	Right; Gray; Models BT3LLFSG401UN01, BT3LLFSP401UN01, BT3LLFSP402UN01, BT3LXFSG401UN01, BT3LXFSP401UN01, BT3LXFSP402UN01, JT1DMFSG411EN01, JT1DMFSG411EN06, JT2DMFSG411EN01, JT2DMFSG411EN06, NT1LXFSP401UN01, NT2LLFSP401UN01, NT2LLFSP402UN01, NT2LXFSP401UN01, NT2LXFSP402UN01, NT3LLFSP401NN22, NT3LLFSP402NN22, NT3LLFSP401UN01 and NT3LXFSP402UN01
	510002WP	Cabinet Side Panel	Right; White; All other models
4	512538	Cabinet Side Panel	Left; Stainless steel; Models BT3LLFSG401UN01, BT3LLFSP401UN01, BT3LLFSP402UN01, BT3LXFSG401UN01, BT3LXFSP401UN01, BT3LXFSP402UN01, JT1DMFSG411EN01, JT1DMFSG411EN06, JT2DMFSG411EN01, JT2DMFSG411EN06, NT1LXFSP401UN01, NT2LLFSP401UN01, NT2LLFSP402UN01, NT2LXFSP401UN01, NT2LXFSP402UN01, NT3LLFSP401NN22, NT3LLFSP402NN22, NT3LLFSP401UN01, NT3LLFSP402UN01, NT3LXFSP401UN01 and NT3LXFSP402UN01
	510001GP	Cabinet Side Panel	Left; Gray; Models BT3LLFSG401UN01, BT3LLFSP401UN01, BT3LLFSP402UN01, BT3LXFSG401UN01, BT3LXFSP401UN01, BT3LXFSP402UN01, JT1DMFSG411EN01, JT1DMFSG411EN06, JT2DMFSG411EN01, JT2DMFSG411EN06, NT1LXFSP401UN01, NT2LLFSP401UN01, NT2LLFSP402UN01, NT2LXFSP401UN01, NT2LXFSP402UN01, NT3LLFSP401NN22, NT3LLFSP402NN22, NT3LLFSP401UN01 and NT3LXFSP402UN01
	510001WP	Cabinet Side Panel	Left; White; All other models
5	727P3W	Panel Kit	Includes items 2-4 and attaching hardware; All models except BT3LLFSG401UN01, BT3LLFSP401UN01, BT3LLFSP402UN01, BT3LXFSG401UN01, BT3LXFSP401UN01, BT3LXFSP402UN01, JT1DMFSG411EN01, JT1DMFSG411EN06, JT2DMFSG411EN01, JT2DMFSG411EN06, NT1LXFSP401UN01, NT2LLFSP401UN01, NT2LLFSP402UN01, NT2LXFSP401UN01, NT2LXFSP402UN01, NT3LLFSP401NN22, NT3LLFSP402NN22, NT3LLFSP401UN01, NT3LLFSP402UN01, NT3LXFSP401UN01 and NT3LXFSP402UN01

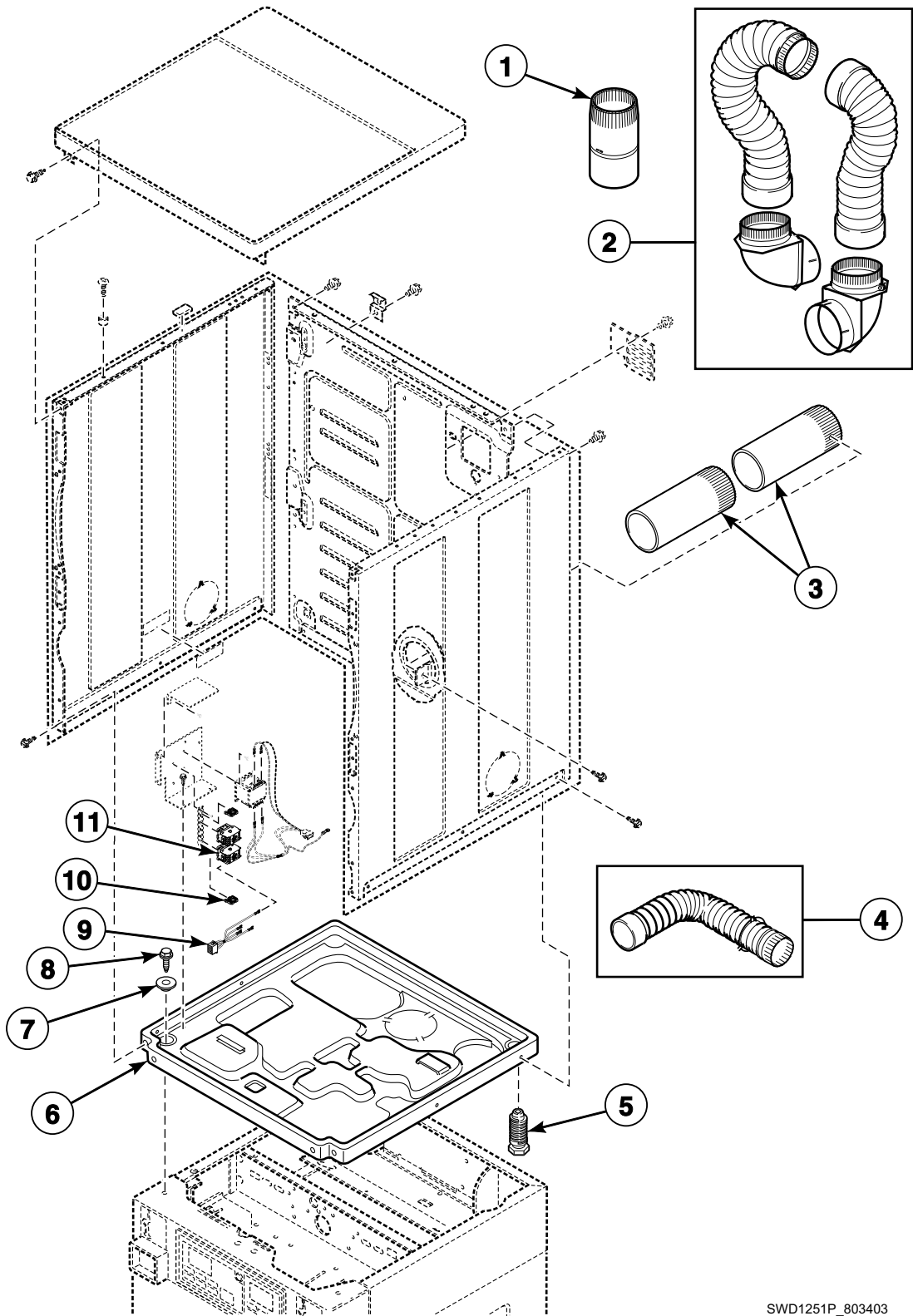
Dryer Cabinet - Hardware



Dryer Cabinet - Hardware

REF	PART NO.	DESCRIPTION	COMMENTS
1	503661	Screw	
2	510146	Bracket	
3	503688	Screw	
4	510136	Top Hinge	
5	510903	Access Panel Plate	
6	61294	Fuse Notice Label	Electric models
7	56079	Panel Locator	
8	512921	Screw	Use with stainless steel side panels
	39733	Screw	Use with painted side panels
9	56128	Bumper Pad	

Dryer Exhaust Duct and Base (Drawing 1 of 2)

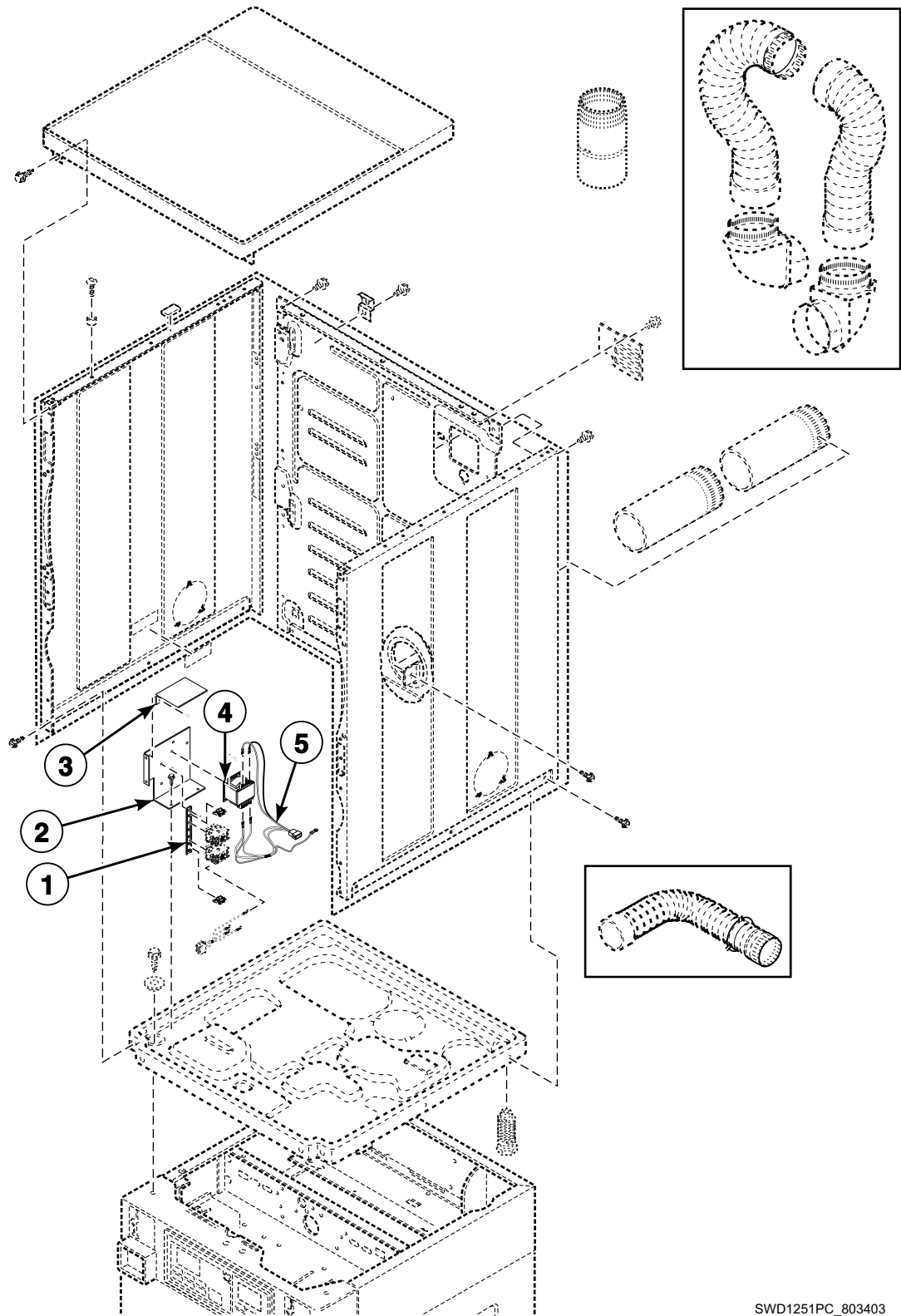


SWD1251P_803403

Dryer Exhaust Duct and Base (Drawing 1 of 2)

REF	PART NO.	DESCRIPTION	COMMENTS
1	58786	Damper	
2	521P3	Flexible Venting Kit	
3	510137	Exhaust Duct	Each dryer requires 2 pieces
4	528P3	Directional Exhaust Kit	Used to vent dryer out the sides
5	510135	Leveling Leg	
6	513901	Dryer Base	
7	501307	Washer	
8	36048	Screw	
9	511327	Harness Assembly	Models JT2DEFSP411EW01, JT2DGFSP411EW01, JT2DGFSP411EW06, JT2DMFSG411EN01, JT2DMFSG411EN06, JT2DXFSP411EW01, JTGDEFSP301EW01, JTGDXFSP301EW01, NT2LLFSP401UN01, NT2LLFSP402UN01, NT2LLFSP401UW01, NT2LLFSP402UW01, NT2LLFSP401UW06, NT2LLFSP402UW06, NT2LXFSP401UN01, NT2LXFSP402UN01, NT2LXFSP401UW01, NT2LXFSP402UW01 and NT2LXFSP402UW06
10	70121001	End Stop	Models JT2DEFSP411EW01, JT2DGFSP411EW01, JT2DGFSP411EW06, JT2DMFSG411EN01, JT2DMFSG411EN06, JT2DXFSP411EW01, JTGDEFSP301EW01, JTGDXFSP301EW01, NT2LLFSP401UN01, NT2LLFSP402UN01, NT2LLFSP401UW01, NT2LLFSP402UW01, NT2LLFSP401UW06, NT2LLFSP402UW06, NT2LXFSP401UN01, NT2LXFSP402UN01, NT2LXFSP401UW01, NT2LXFSP402UW01 and NT2LXFSP402UW06
11	70323701P	Contactora	Models JT2DEFSP411EW01, JT2DGFSP411EW01, JT2DGFSP411EW06, JT2DMFSG411EN01, JT2DMFSG411EN06, JT2DXFSP411EW01, JTGDEFSP301EW01, JTGDXFSP301EW01, NT2LLFSP401UN01, NT2LLFSP402UN01, NT2LLFSP401UW01, NT2LLFSP402UW01, NT2LLFSP401UW06, NT2LLFSP402UW06, NT2LXFSP401UN01, NT2LXFSP402UN01, NT2LXFSP401UW01, NT2LXFSP402UW01 and NT2LXFSP402UW06

Dryer Exhaust Duct and Base (Drawing 2 of 2)



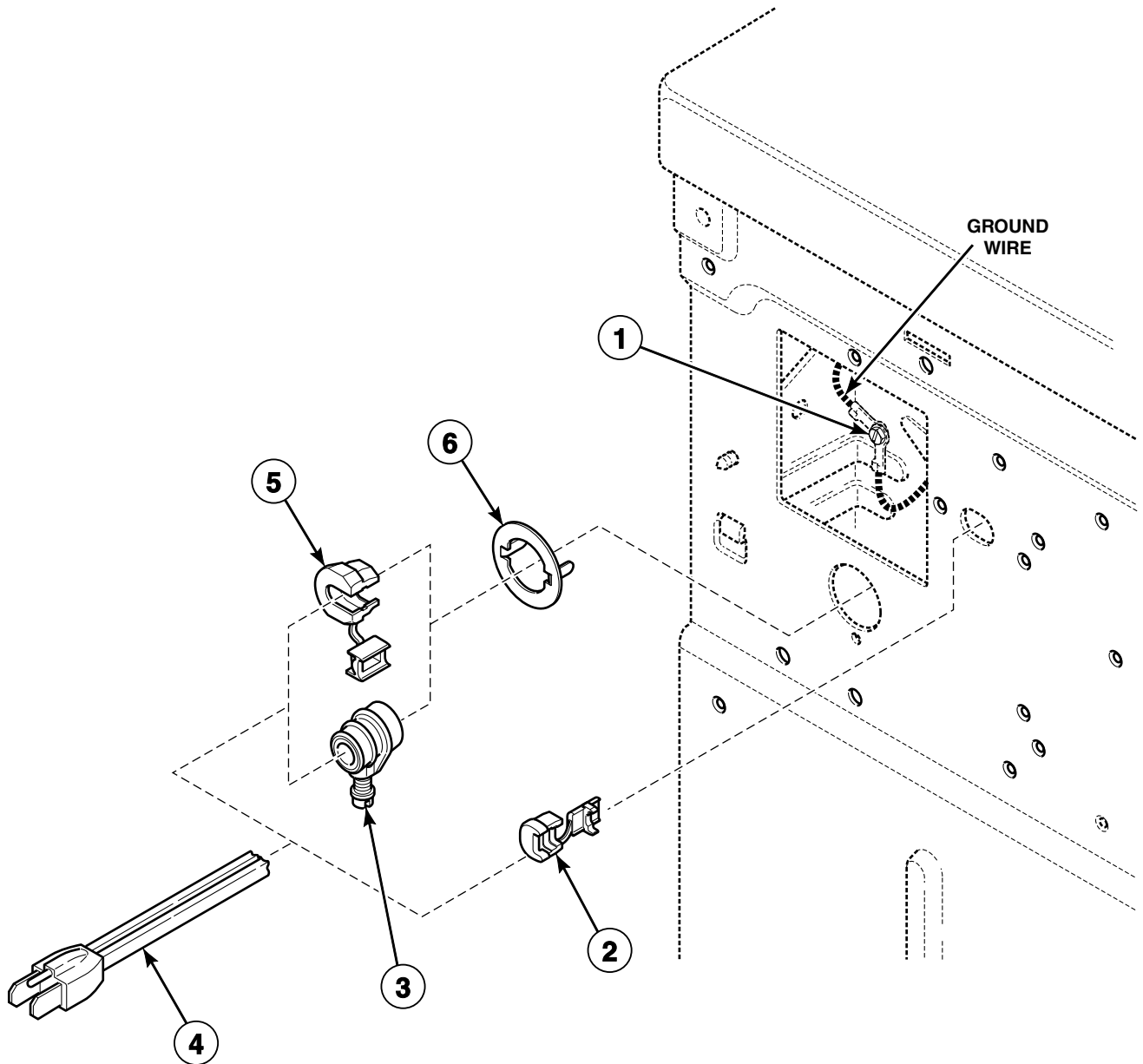
SWD1251PC_803403

Dryer Exhaust Duct and Base (Drawing 2 of 2)

REF	PART NO.	DESCRIPTION	COMMENTS
1	M412693	Din Rail	Models JT2DEFSP411EW01, JT2DGFSP411EW01, JT2DGFSP411EW06, JT2DMFSG411EN01, JT2DMFSG411EN06, JT2DXFSP411EW01, JTGDEFSP301EW01, JTGDXFSP301EW01, NT2LLFSP401UN01, NT2LLFSP402UN01, NT2LLFSP401UW01, NT2LLFSP402UW01, NT2LLFSP401UW06, NT2LLFSP402UW06, NT2LXFSP401UN01, NT2LXFSP402UN01, NT2LXFSP401UW01, NT2LXFSP402UW01 and NT2LXFSP402UW06
2	511859	Contacto Bracket	Models JT2DEFSP411EW01, JT2DGFSP411EW01, JT2DGFSP411EW06, JT2DMFSG411EN01, JT2DMFSG411EN06, JT2DXFSP411EW01, JTGDEFSP301EW01, JTGDXFSP301EW01, NT2LLFSP401UN01, NT2LLFSP402UN01, NT2LLFSP401UW01, NT2LLFSP402UW01, NT2LLFSP401UW06, NT2LLFSP402UW06, NT2LXFSP401UN01, NT2LXFSP402UN01, NT2LXFSP401UW01, NT2LXFSP402UW01, NT2LXFSP402UW06, STGLXFSP301AW01, STGLXFSP302AW01, STLNXFSP542NW23, STLNYFSP541NW23 and STLNYFSP542NW23
3	801101	Card Reader Shield	Models JT2DEFSP411EW01, JT2DGFSP411EW01, JT2DGFSP411EW06, JT2DMFSG411EN01, JT2DMFSG411EN06, JT2DXFSP411EW01, JTGDEFSP301EW01, JTGDXFSP301EW01, NT2LLFSP401UN01, NT2LLFSP402UN01, NT2LLFSP401UW01, NT2LLFSP402UW01, NT2LLFSP401UW06, NT2LLFSP402UW06, NT2LXFSP401UN01, NT2LXFSP402UN01, NT2LXFSP401UW01, NT2LXFSP402UW01 and NT2LXFSP402UW06
4	511658P	Transformer Kit	Models JT2DEFSP411EW01, JT2DGFSP411EW01, JT2DGFSP411EW06, JT2DMFSG411EN01, JT2DMFSG411EN06, JT2DXFSP411EW01, JTGDEFSP301EW01, JTGDXFSP301EW01, NT2LLFSP401UN01, NT2LLFSP402UN01, NT2LLFSP401UW01, NT2LLFSP402UW01, NT2LLFSP401UW06, NT2LLFSP402UW06, NT2LXFSP401UN01, NT2LXFSP402UN01, NT2LXFSP401UW01, NT2LXFSP402UW01, NT2LXFSP402UW06, STGLXFSP301AW01, STGLXFSP302AW01, STLNXFSP542NW23, STLNYFSP541NW23 and STLNYFSP542NW23
5	511303	Wire Harness Assembly	Transformer adapter; Includes 502592 Fuse, 3.15 Amp, 250 Volt; Models JT2DEFSP411EW01, JT2DGFSP411EW01, JT2DGFSP411EW06, JT2DMFSG411EN01, JT2DMFSG411EN06, JT2DXFSP411EW01, JTGDEFSP301EW01, JTGDXFSP301EW01, NT2LLFSP401UN01, NT2LLFSP402UN01, NT2LLFSP401UW01, NT2LLFSP402UW01, NT2LLFSP401UW06, NT2LLFSP402UW06, NT2LXFSP401UN01, NT2LXFSP402UN01, NT2LXFSP401UW01, NT2LXFSP402UW01, NT2LXFSP402UW06, STGLXFSP301AW01, STGLXFSP302AW01, STLNXFSP542NW23, STLNYFSP541NW23 and STLNYFSP542NW23

Dryer Power Cord

Models HTGLXFSP091CW01, HTGNXFSP091CW01, HTGNXFSP092CW01, JT2DEFSP411EW01, JT2DGFSP411EW01, JT2DGFSP411EW06, JT2DMFSG411EN01, JT2DMFSG411EN06, JT2DXFSP411EW01, JTGDEFSP301EW01, JTGDXFSP301EW01, NT1LXFSP401UN01, NT1LXFSP401UW01, NT1LXFSP402UW01, NT1LXFSP402UW06, NT2LLFSP401UN01, NT2LLFSP402UN01, NT2LLFSP401UW01, NT2LLFSP402UW01, NT2LLFSP401UW06, NT2LLFSP402UW06, NT2LXFSP401UN01, NT2LXFSP402UN01, NT2LXFSP401UW01, NT2LXFSP402UW01, NT2LXFSP402UW06, STELXFSP431AW01, STELXFSP432AW01, STGLCFSP111TW01, STGLCFSP111TWNA, STGLXFSG111TW01, STGLXFSP111TW01, STGLXFSP301AW01, STGLXFSP302AW01, STGLYFSP111TW01, STGLYFSP111TWNA, STGNCFSP111TW01, STGNCFSP112TW01, STGNXFSG082JW01, STGNXFSG111TW01, STGNXFSG112TW01, STGNXFSP111TW01, STGNXFSP112TW01, STGNYFSP111TW01, STGNYFSP112TW01, STLNXFSP542NW23, STLNYFSP541NW23 and STLNYFSP542NW23

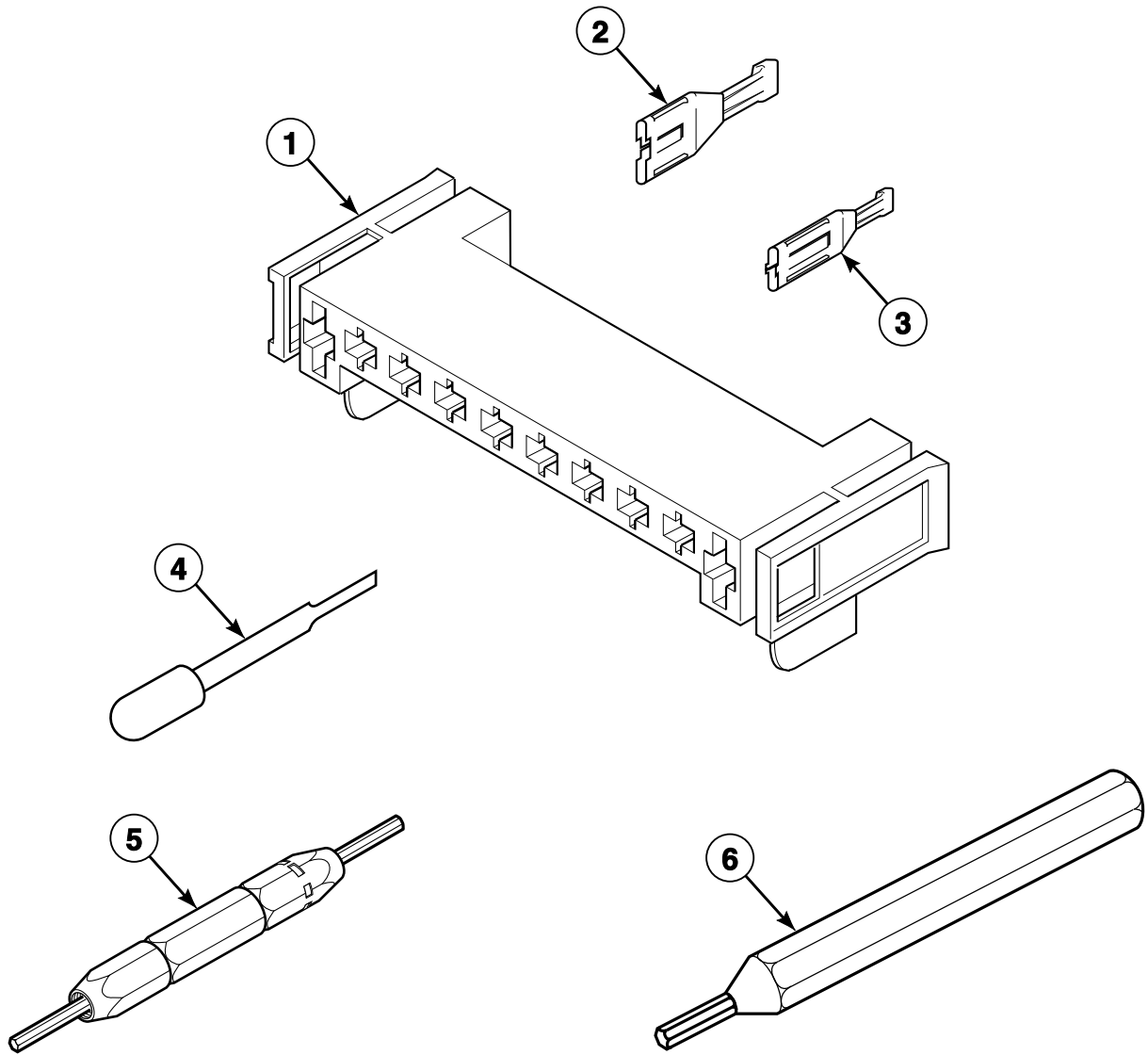


SWD1230P_803403

Dryer Power Cord

REF	PART NO.	DESCRIPTION	COMMENTS
1	20530	Screw	
2	38384	Strain Relief	Models STGLCFSP111TW01, STGLCFSP111TWNA, STGLXFSG111TW01, STGLXFSP111TW01, STGLYFSP111TW01, STGLYFSP111TWNA, STGNCFSP111TW01, STGNCFSP112TW01, STGNXFSG082JW01, STGNXFSG111TW01, STGNXFSG112TW01, STGNXFSP111TW01, STGNXFSP112TW01, STGNYFSP111TW01 and STGNYFSP112TW01
3	502500	Strain Relief	Models JT2DEFSP411EW01, JT2DGFSP411EW01, JT2DGFSP411EW06, JT2DMFSG411EN01, JT2DMFSG411EN06, JT2DXFSP411EW01, JTGDEFSP301EW01, JTGDXFSP301EW01, NT2LLFSP401UN01, NT2LLFSP402UN01, NT2LLFSP401UW01, NT2LLFSP402UW01, NT2LLFSP401UW06, NT2LLFSP402UW06, NT2LXFSP401UN01, NT2LXFSP402UN01, NT2LXFSP401UW01, NT2LXFSP402UW01 and NT2LXFSP402UW06
4	513329	Lead-In Cord	Models JT2DEFSP411EW01, JT2DGFSP411EW01, JT2DGFSP411EW06, JT2DMFSG411EN01, JT2DMFSG411EN06, JT2DXFSP411EW01, JTGDEFSP301EW01 and JTGDXFSP301EW01
	512019	Lead-In Cord	Models STGLXFSP301AW01 and STGLXFSP302AW01
	59373	Lead-In Cord	Models STLNXFSP542NW23, STLNYFSP541NW23 and STLNYFSP542NW23
	506081	Power Cord Assembly	Models NT2LLFSP401UN01, NT2LLFSP402UN01, NT2LLFSP401UW01, NT2LLFSP402UW01, NT2LLFSP401UW06, NT2LLFSP402UW06, NT2LXFSP401UN01, NT2LXFSP402UN01, NT2LXFSP401UW01, NT2LXFSP402UW01 and NT2LXFSP402UW06
	503597	Lead-In Cord Assembly	Models NT1LXFSP401UN01, NT1LXFSP401UW01, NT1LXFSP402UW01 and NT1LXFSP402UW06
	58992	Power Cord Assembly	Model HTGLXFSP091CW01
	61605P	Lead-In Cord Kit	Models STELXFSP431AW01 and STELXFSP432AW01
	59308	Lead-In Cord	All other models
5	52113	Strain Relief	Models NT1LXFSP401UN01, NT1LXFSP401UW01, NT1LXFSP402UW01, NT1LXFSP402UW06, STELXFSP431AW01, STELXFSP432AW01, STLNXFSP542NW23, STLNYFSP541NW23 and STLNYFSP542NW23
	52151	Strain Relief	Models HTGLXFSP091CW01, HTGNXFSP091CW01 and HTGNXFSP092CW01
	60298	Strain Relief	Models STGLXFSP301AW01 and STGLXFSP302AW01
6	502496	Strain Relief Adapter	Models HTGLXFSP091CW01, JT2DEFSP411EW01, JT2DGFSP411EW01, JT2DGFSP411EW06, JT2DMFSG411EN01, JT2DMFSG411EN06, JT2DXFSP411EW01, JTGDEFSP301EW01, JTGDXFSP301EW01, NT1LXFSP401UN01, NT1LXFSP401UW01, NT1LXFSP402UW01, NT1LXFSP402UW06, NT2LLFSP401UN01, NT2LLFSP402UN01, NT2LLFSP401UW01, NT2LLFSP402UW01, NT2LLFSP401UW06, NT2LLFSP402UW06, NT2LXFSP401UN01, NT2LXFSP402UN01, NT2LXFSP401UW01, NT2LXFSP402UW01, NT2LXFSP402UW06, STELXFSP431AW01, STELXFSP432AW01, STGLXFSP301AW01, STGLXFSP302AW01, STLNXFSP542NW23, STLNYFSP541NW23 and STLNYFSP542NW23

Dryer Motor Connection Block, Terminal Extractor Tools

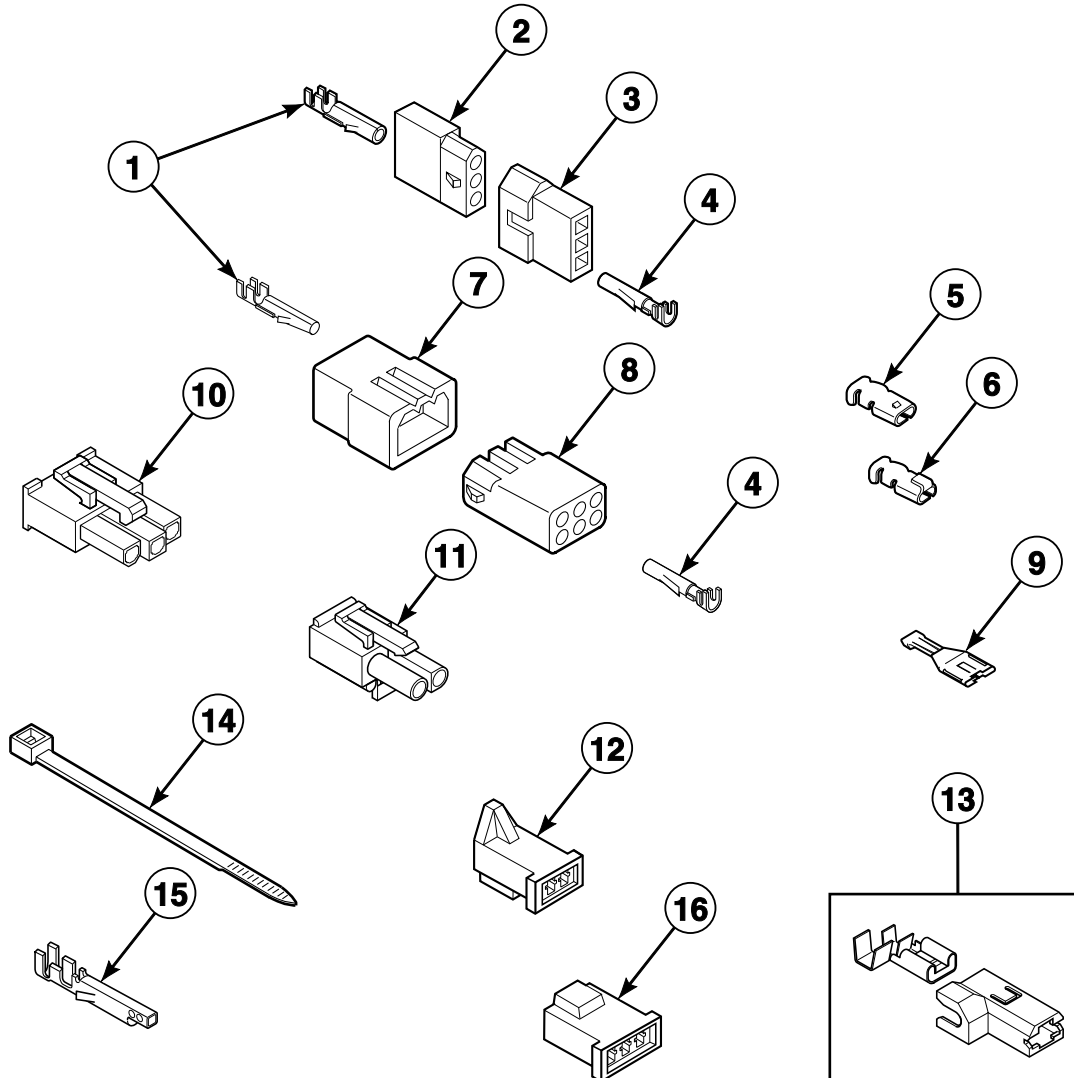


SWD1216P_803403

Dryer Motor Connection Block, Terminal Extractor Tools

REF	PART NO.	DESCRIPTION	COMMENTS
1	500338	10 Position Housing	Molex; 10 circuit
2	00255	Female Terminal	1/4 inch; For (1) 12 gauge wire
	00256	Female Terminal	1/4 inch; For (1) or (2) 18 gauge wires
3	00188	Female Terminal	For 1 or 2 wire applications
4	283P4	Terminal Extractor Tool	For use on Molex connectors
5	190P4	Extractor Tool	For use on electric dryer terminals
6	128P4	Extractor Tool	For use on gas dryer terminals

Terminals

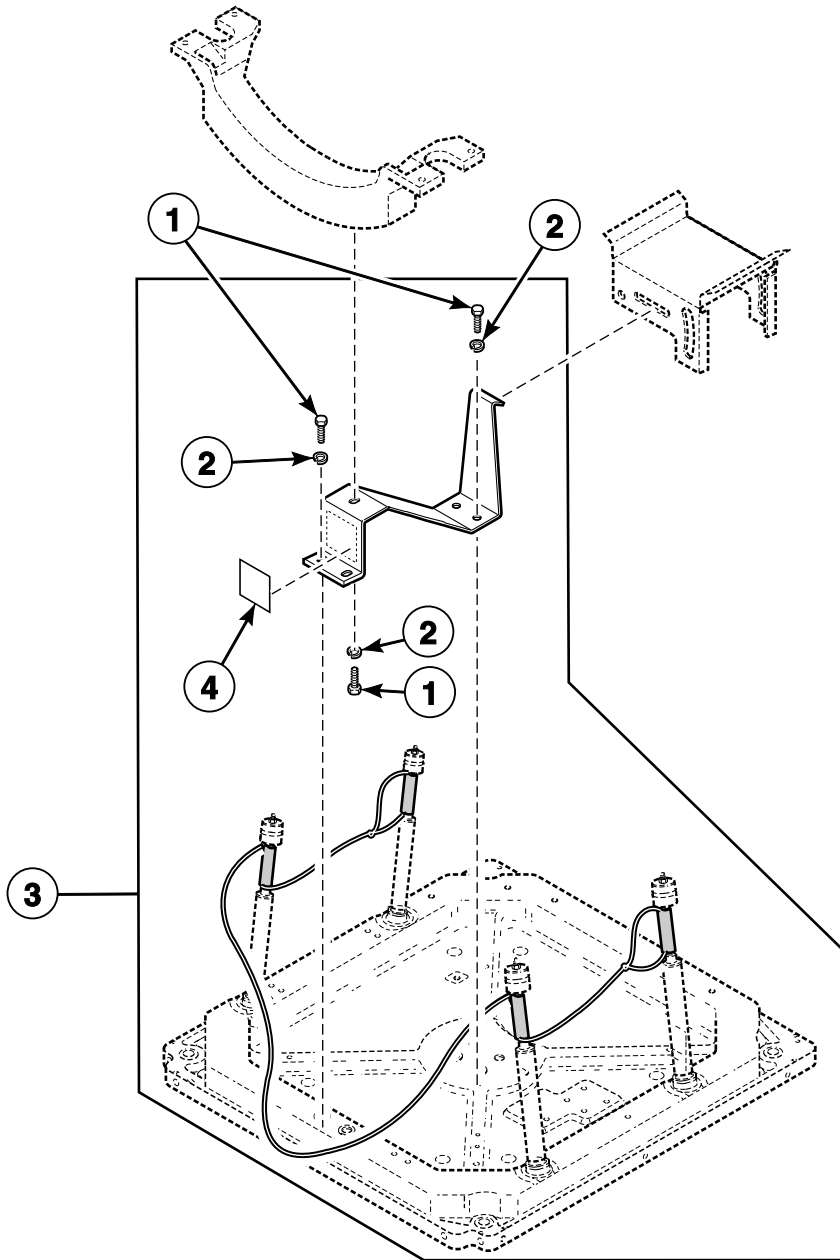


SWD1143P_803403

Terminals

REF	PART NO.	DESCRIPTION	COMMENTS
1	00117	Female Pin Terminal	
2	23039	3 Circuit Receptacle	
3	23040	Plug	
4	00116	Male Pin Terminal	
5	00189	Female Spade Terminal	Gas models
6	00361	Female Piggyback Terminal	Gas models
7	23033	9 Circuit Plug	
8	26708	6 Circuit Receptacle	
9	00256	Female Terminal	
10	36170	3 Circuit Receptacle	
11	501223	2 Circuit Receptacle	
12	58799	2 Circuit Connector	Gas models
13	00221	Insulated Female Flag Terminal	
14	55881	Harness Strap	
15	00252	Terminal	
16	58800	3 Circuit Connector	Gas models

Shipping Materials

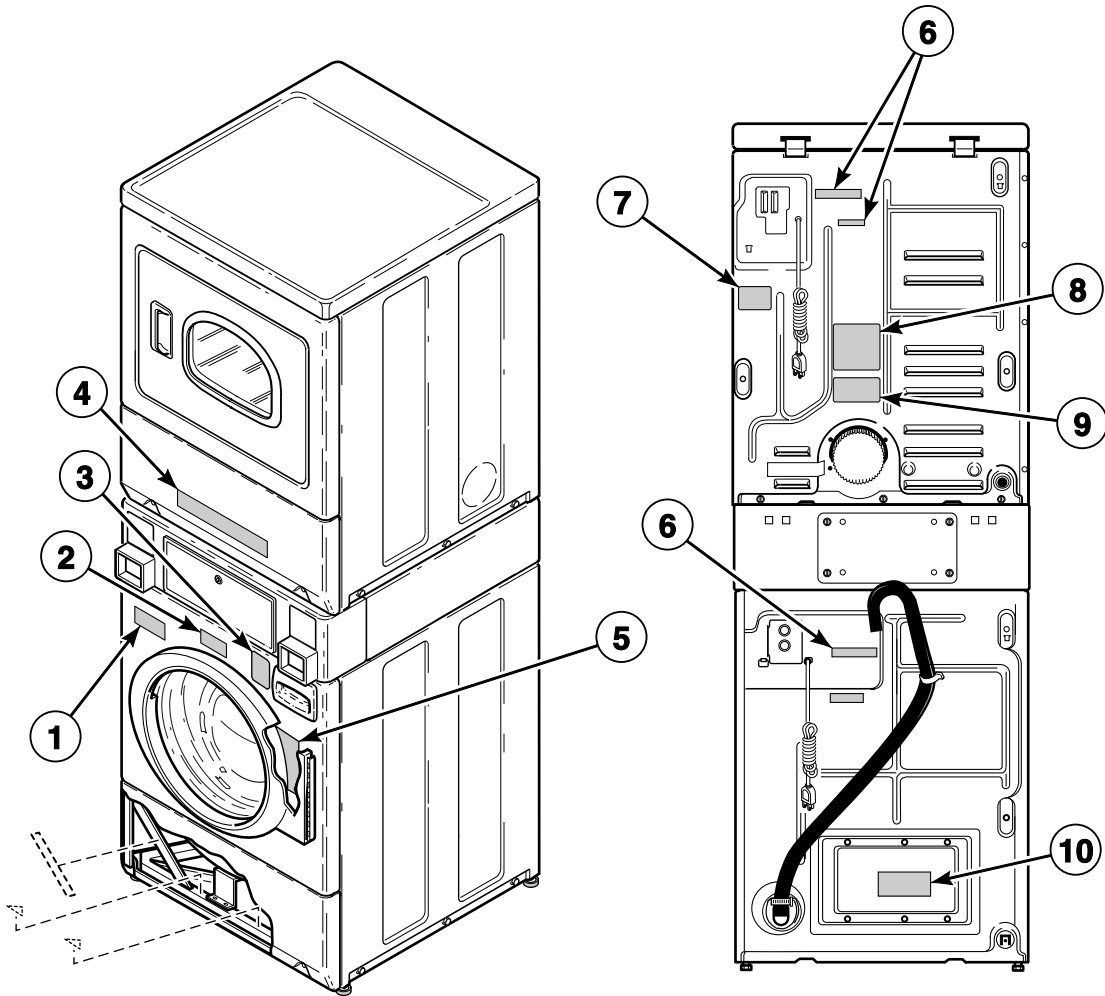


FLW1030P_803403

Shipping Materials

REF	PART NO.	DESCRIPTION	COMMENTS
1	M400043	Screw	
2	M400014	Washer	
3	930P3	Shipping Materials Kit	Includes items 1, 2, 4, shipping bracket, and shipping cord and brace assembly
4	686901	Shipping Bracket Label	

Labels (Drawing 1 of 3)

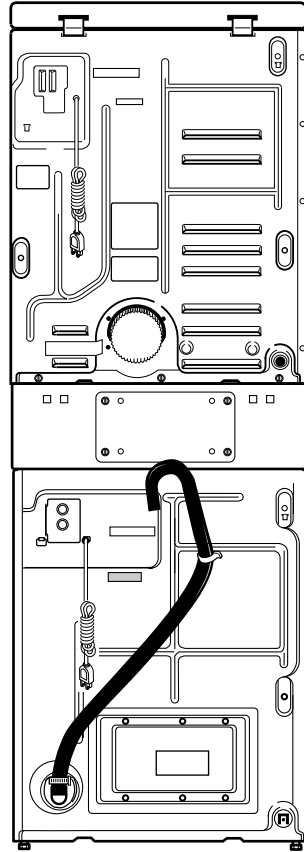
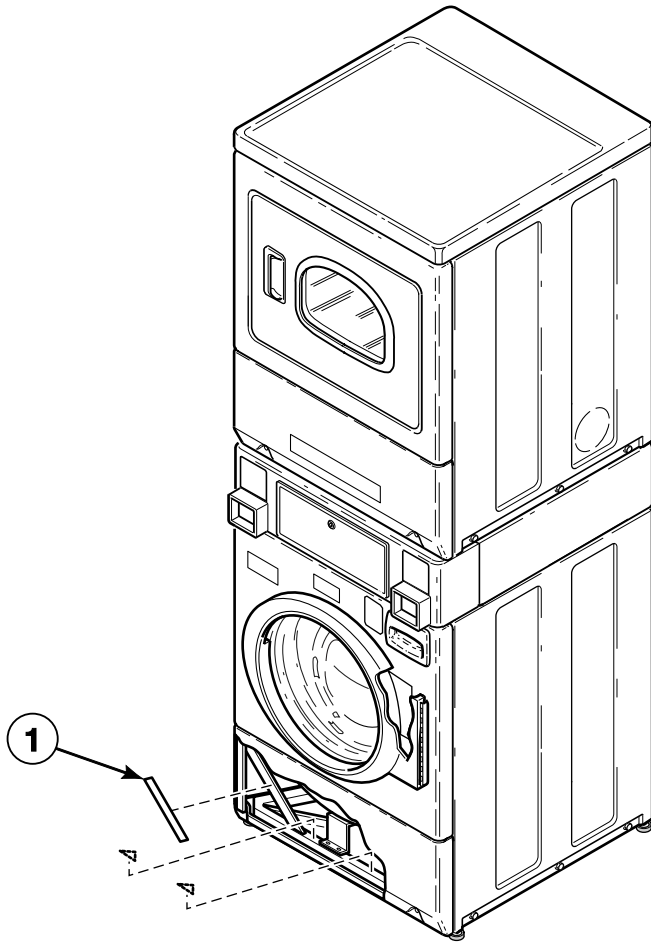


SWD1269P_803403

Labels (Drawing 1 of 3)

REF	PART NO.	DESCRIPTION	COMMENTS
1	803011	Notice Label	Models HTELCFSP281CW01, HTELCFSP291CW01, HTELYFSP281CW01, HTELYFSP291CW01, HTENXFSP281CW01, HTENXFSP282CW01, HTENXFSP291CW01, HTENXFSP292CW01, HTENYFSP281CW01, HTENYFSP282CW01, HTENYFSP291CW01, HTENYFSP292CW01, HTGLXFSP091CW01, HTGNXFSP091CW01, HTGNXFSP092CW01, NTHLXFSP571NW01, NTHLXFSP572NW01, NTHLYFSP571NW01, NTHLYFSP572NW01, STELCFSP171TW01, STELCFSP171TW01, STELCFSP431AW01, STELCFSP432AW01, STELYFSP171TW01, STENCFSP171TW01, STENCFSP172TW01, STENXFSP171TW01, STENXFSP172TW01, STENYFSP171TW01, STENYFSP172TW01, STEWYFSP302NW25, STGLCFSP111TW01, STGLCFSP111TWNA, STGLXFSG111TW01, STGLXFSP111TW01, STGLXFSP301AW01, STGLXFSP302AW01, STGLYFSP111TW01, STGLYFSP111TWNA, STGNCFSP111TW01, STGNCFSP112TW01, STGNXFSG082JW01, STGNXFSG111TW01, STGNXFSG112TW01, STGNXFSP111TW01, STGNXFSP112TW01, STGNYFSP111TW01, STGNYFSP112TW01, STLNXFSP542NW23, STLNYFSP541NW23 and STLNYFSP542NW23
2	803323	Nameplate Overlay	Models JT1DEFSP411EW01, JT1DGFSP411EW01, JT1DGFSP411EW06, JT1DMFSG411EN01, JT1DMFSG411EN06, JT1DXFSP411EW01, JT2DEFSP411EW01, JT2DGFSP411EW01, JT2DGFSP411EW06, JT2DMFSG411EN01, JT2DMFSG411EN06, JT2DXFSP411EW01, JTEDEFSP301EW01, JTEDXFSP301EW01, JTGDEFSP301EW01 and JTGDXFSP301EW01
3	802074	Oversudsing Label	English
	802838	Oversudsing Label	Spanish
	802839	Oversudsing Label	Quebec French
4	505052	Instruction Label	English
	513543	Instruction Label	French/English
5	802367	Door Locked Warning Label	
6	505281	Disconnect Power Warning Label	English
	502511	Electrical Shock Label	Icon
7	62104	Voltage Warning Label	Models HTELCFSP291CW01, HTELYFSP291CW01, HTENXFSP291CW01, HTENXFSP292CW01, HTENYFSP291CW01 and HTENYFSP292CW01
	500493	30 Amp Notice Label	Model STEWYFSP302NW25
8	502791	Venting Instruction Label	
9	500497	Exhaust Warning Label	
10	500049	Warning Label	English
	500314	Warning Label	Quebec French
	502511	Electrical Shock Label	Icon

Labels (Drawing 2 of 3)

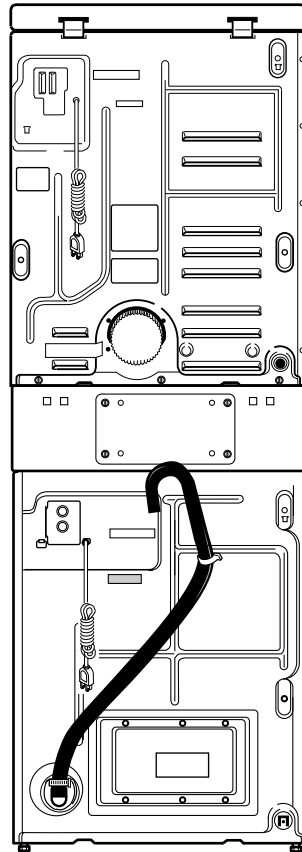
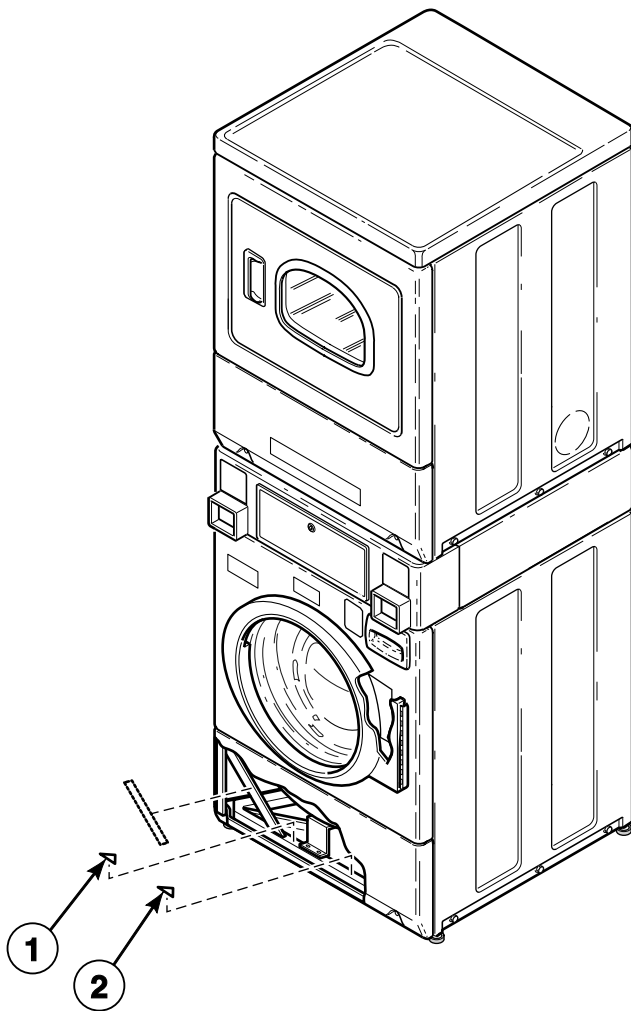


SWD1269PA_803403

Labels (Drawing 2 of 3)

REF	PART NO.	DESCRIPTION	COMMENTS
1	803522	Warning Label	Models HTELCFSP281CW01, HTELCFSP291CW01, HTELYFSP281CW01, HTELYFSP291CW01, HTENXFSP281CW01, HTENXFSP282CW01, HTENXFSP291CW01, HTENXFSP292CW01, HTENYFSP281CW01, HTENYFSP282CW01, HTENYFSP291CW01, HTENYFSP292CW01, HTGLXFSP091CW01, HTGNXFSP091CW01, HTGNXFSP092CW01, NT3LXFSP402NW22, ST3LXFSP401NW22, ST3LXFSP402NW22, STELCFSP171TW01, STELCFSP171TW01, STELCFSP431AW01, STELCFSP432AW01, STELYFSP171TW01, STENCFSP171TW01, STENCFSP172TW01, STENXFSP171TW01, STENXFSP172TW01, STENYFSP171TW01, STENYFSP172TW01, STEWYFSP302NW25, STGLCFSP111TW01, STGLCFSP111TWNA, STGLXFSG111TW01, STGLXFSP111TW01, STGLXFSP301AW01, STGLXFSP302AW01, STGLYFSP111TW01, STGLYFSP111TWNA, STGNCFSP111TW01, STGNCFSP112TW01, STGNXFSG111TW01, STGNXFSG112TW01, STGNXFSP111TW01, STGNXFSP112TW01, STGNYFSP111TW01 and STGNYFSP112TW01

Labels (Drawing 3 of 3)

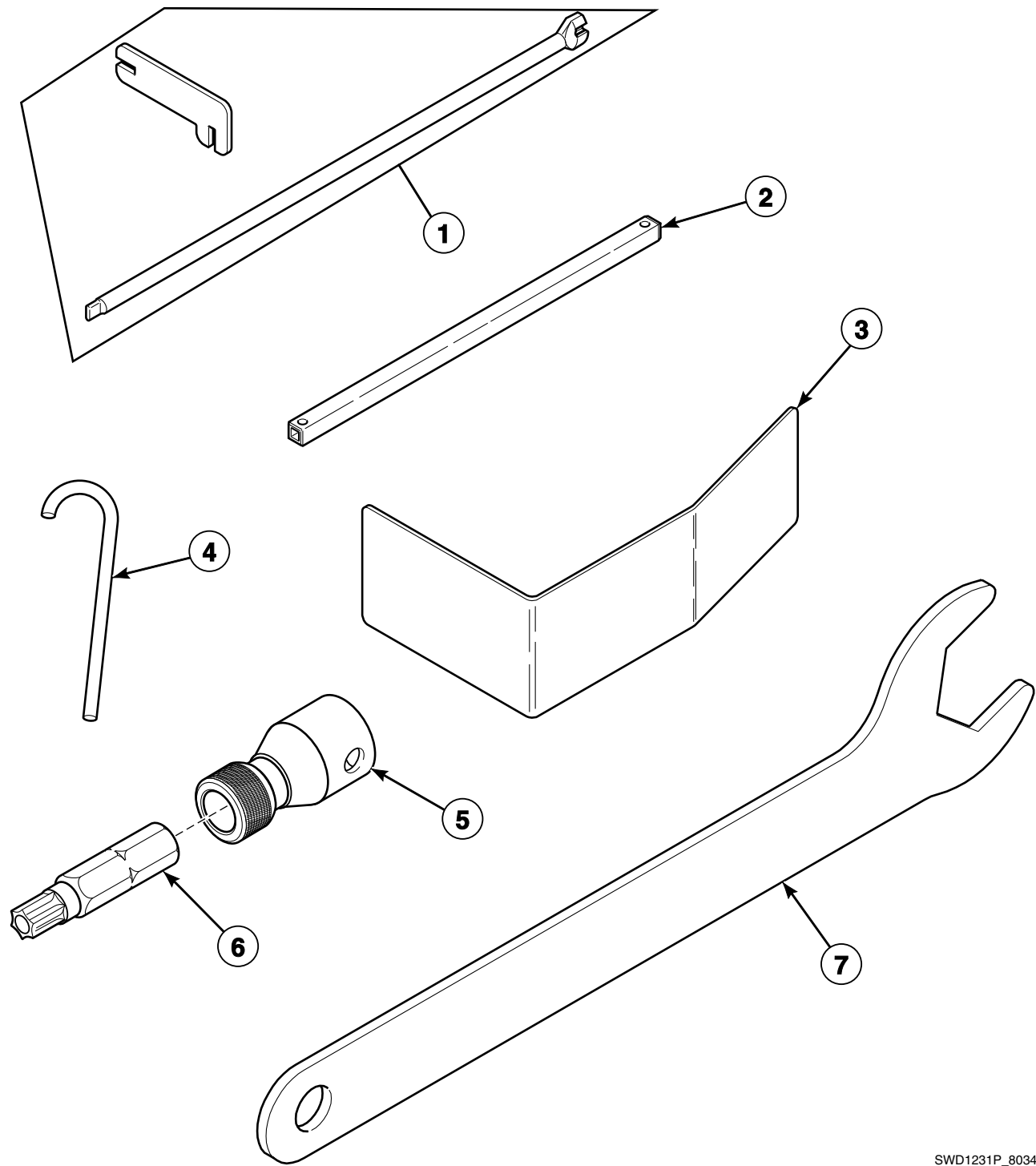


SWD1269PB_803403

Labels (Drawing 3 of 3)

REF	PART NO.	DESCRIPTION	COMMENTS
1	F8211201	Electrical Shock Label	Models BT3LLFSG401UN01, BT3LLFSG401UW01, BT3LLFSG402UW01, BT3LLFSP401UN01, BT3LLFSP402UN01, BT3LLFSP401UW01, BT3LLFSP402UW01, BT3LXFSG401UN01, BT3LXFSG401UW01, BT3LXFSG402UW01, BT3LXFSP401UN01, BT3LXFSP402UN01, BT3LXFSP401UW01, BT3LXFSP402UW01, JT1DEFSP411EW01, JT1DGFSP411EW01, JT1DGFSP411EW06, JT1DMFSG411EN01, JT1DMFSG411EN06, JT1DXFSP411EW01, JT2DEFSP411EW01, JT2DGFSP411EW01, JT2DGFSP411EW06, JT2DMFSG411EN01, JT2DMFSG411EN06, JT2DXFSP411EW01, JTEDEFSP301EW01, JTEDXFSP301EW01, JTGDEFSP301EW01, JTGDXFSP301EW01, NT1LLFSP411UW06, NT1LLFSP412UW06, NT1LXFSP401UN01, NT1LXFSP401UW01, NT1LXFSP402UW01, NT1LXFSP402UW06, NT2LLFSP401UN01, NT2LLFSP402UN01, NT2LLFSP401UW01, NT2LLFSP402UW01, NT2LLFSP401UW06, NT2LLFSP402UW06, NT2LXFSP401UN01, NT2LXFSP402UN01, NT2LXFSP401UW01, NT2LXFSP402UW01, NT2LXFSP402UW06, NT3LLFSG401UW01, NT3LLFSG402UW01, NT3LLFSP401NN22, NT3LLFSP402NN22, NT3LLFSP401NW22, NT3LLFSP402NW22, NT3LLFSP401UN01, NT3LLFSP402UN01, NT3LLFSP401UW01, NT3LLFSP402UW01, NT3LXFSG401UW01, NT3LXFSG402UW01, NT3LXFSP401UN01, NT3LXFSP402UN01, NT3LXFSP401UW01, NT3LXFSP402UW01, NTHLXFSP571NW01, NTHLXFSP572NW01, NTHLYFSP571NW01, NTHLYFSP572NW01, STEWYFSP302NW25, STGNXFSG082JW01, STLNXFSP542NW23, STLNYFSP541NW23 and STLNYFSP542NW23
2	F8211301	Pinched Fingers Label	Models BT3LLFSG401UN01, BT3LLFSG401UW01, BT3LLFSG402UW01, BT3LLFSP401UN01, BT3LLFSP402UN01, BT3LLFSP401UW01, BT3LLFSP402UW01, BT3LXFSG401UN01, BT3LXFSG401UW01, BT3LXFSG402UW01, BT3LXFSP401UN01, BT3LXFSP402UN01, BT3LXFSP401UW01, BT3LXFSP402UW01, JT1DEFSP411EW01, JT1DGFSP411EW01, JT1DGFSP411EW06, JT1DMFSG411EN01, JT1DMFSG411EN06, JT1DXFSP411EW01, JT2DEFSP411EW01, JT2DGFSP411EW01, JT2DGFSP411EW06, JT2DMFSG411EN01, JT2DMFSG411EN06, JT2DXFSP411EW01, JTEDEFSP301EW01, JTEDXFSP301EW01, JTGDEFSP301EW01, JTGDXFSP301EW01, NT1LLFSP411UW06, NT1LLFSP412UW06, NT1LXFSP401UN01, NT1LXFSP401UW01, NT1LXFSP402UW01, NT1LXFSP402UW06, NT2LLFSP401UN01, NT2LLFSP402UN01, NT2LLFSP401UW01, NT2LLFSP402UW01, NT2LLFSP401UW06, NT2LLFSP402UW06, NT2LXFSP401UN01, NT2LXFSP402UN01, NT2LXFSP401UW01, NT2LXFSP402UW01, NT2LXFSP402UW06, NT3LLFSG401UW01, NT3LLFSG402UW01, NT3LLFSP401NN22, NT3LLFSP402NN22, NT3LLFSP401NW22, NT3LLFSP402NW22, NT3LLFSP401UN01, NT3LLFSP402UN01, NT3LLFSP401UW01, NT3LLFSP402UW01, NT3LXFSG401UW01, NT3LXFSG402UW01, NT3LXFSP401UN01, NT3LXFSP402UN01, NT3LXFSP401UW01, NT3LXFSP402UW01, NTHLXFSP571NW01, NTHLXFSP572NW01, NTHLYFSP571NW01, NTHLYFSP572NW01, STEWYFSP302NW25, STLNXFSP542NW23, STLNYFSP541NW23 and STLNYFSP542NW23

Special Tools



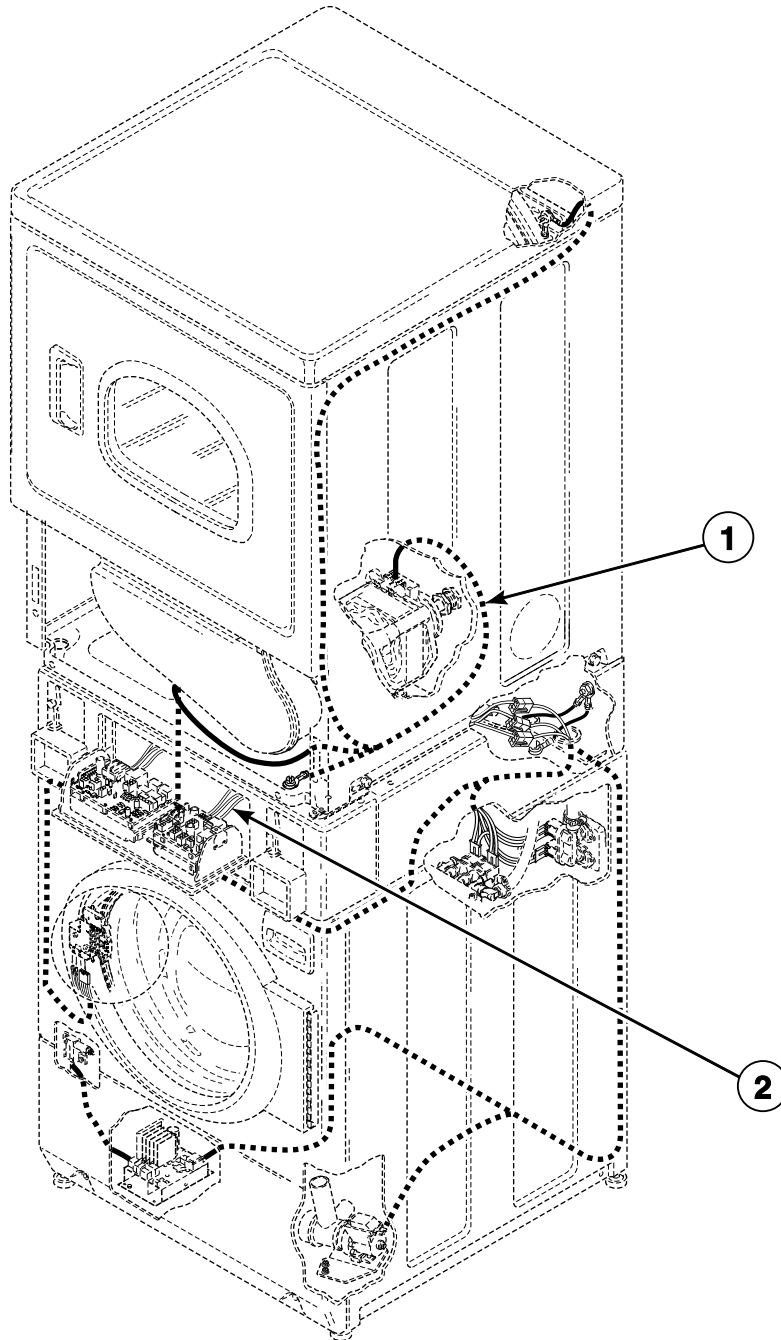
SWD1231P_803403

Special Tools

REF	PART NO.	DESCRIPTION	COMMENTS
1	CK096	Mounting Tool Kit	Use to install and remove electronic coin drop kits
2	310P4	Ratchet Extension Tool	1/4 inch; Use to install and remove non-electronic coin drops
3	318P4	Dispenser Drawer Tool	Use to remove dispenser drawer
4	802336	Pulley Bolt Tightening Fixture	Use to install inner basket
5	24161	Bit Holder	
6	282P4	Torx Bit	
7	392P4	Wrench	Use for adjusting leveling leg nuts

Dryer Wire Harnesses and Wires (Drawing 1 of 3)

Models JT2DEFSP411EW01, JT2DGFSP411EW01, JT2DGFSP411EW06, JT2DMFSG411EN01, JT2DMFSG411EN06, JT2DXFSP411EW01, JTGDEFSP301EW01, JTGDXFSP301EW01, NT2LLFSP401UN01, NT2LLFSP402UN01, NT2LLFSP401UW01, NT2LLFSP402UW01, NT2LLFSP401UW06, NT2LLFSP402UW06, NT2LXFSP401UN01, NT2LXFSP402UN01, NT2LXFSP401UW01, NT2LXFSP402UW01 and NT2LXFSP402UW06



SWD1197P_803403

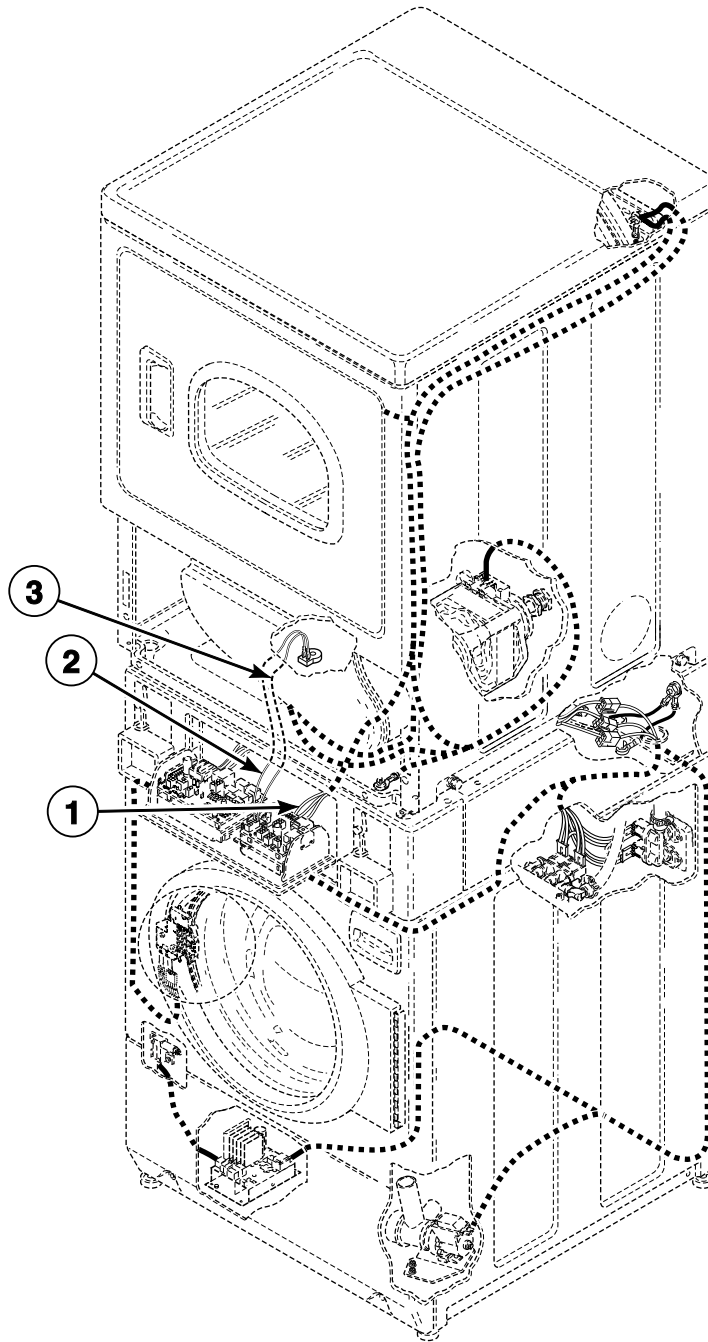
Dryer Wire Harnesses and Wires (Drawing 1 of 3)

REF	PART NO.	DESCRIPTION	COMMENTS
	45001	18 Gauge Wire	Black; Order wire by foot, terminals/connectors as required
	45380	12 Gauge Wire	Orange; Order wire by foot, terminals/connectors as required
1	511753	Wire Harness Assembly	
2	511757	Wire Harness Assembly	

NOTE: Individual wires are not available separately. Order complete harness, or order wire by the foot. When applying terminals to wires, it is recommended that the terminals be soldered to the wires.

Dryer Wire Harnesses and Wires (Drawing 2 of 3)

All Models Except JT2DEFSP411EW01, JT2DGFSP411EW01, JT2DGFSP411EW06, JT2DMFSG411EN01, JT2DMFSG411EN06, JT2DXFSP411EW01, JTGDEFSP301EW01, JTGDXFSP301EW01, NT2LLFSP401UN01, NT2LLFSP402UN01, NT2LLFSP401UW01, NT2LLFSP402UW01, NT2LLFSP401UW06, NT2LLFSP402UW06, NT2LXFSP401UN01, NT2LXFSP402UN01, NT2LXFSP401UW01, NT2LXFSP402UW01 and NT2LXFSP402UW06



SWD1253P_803403

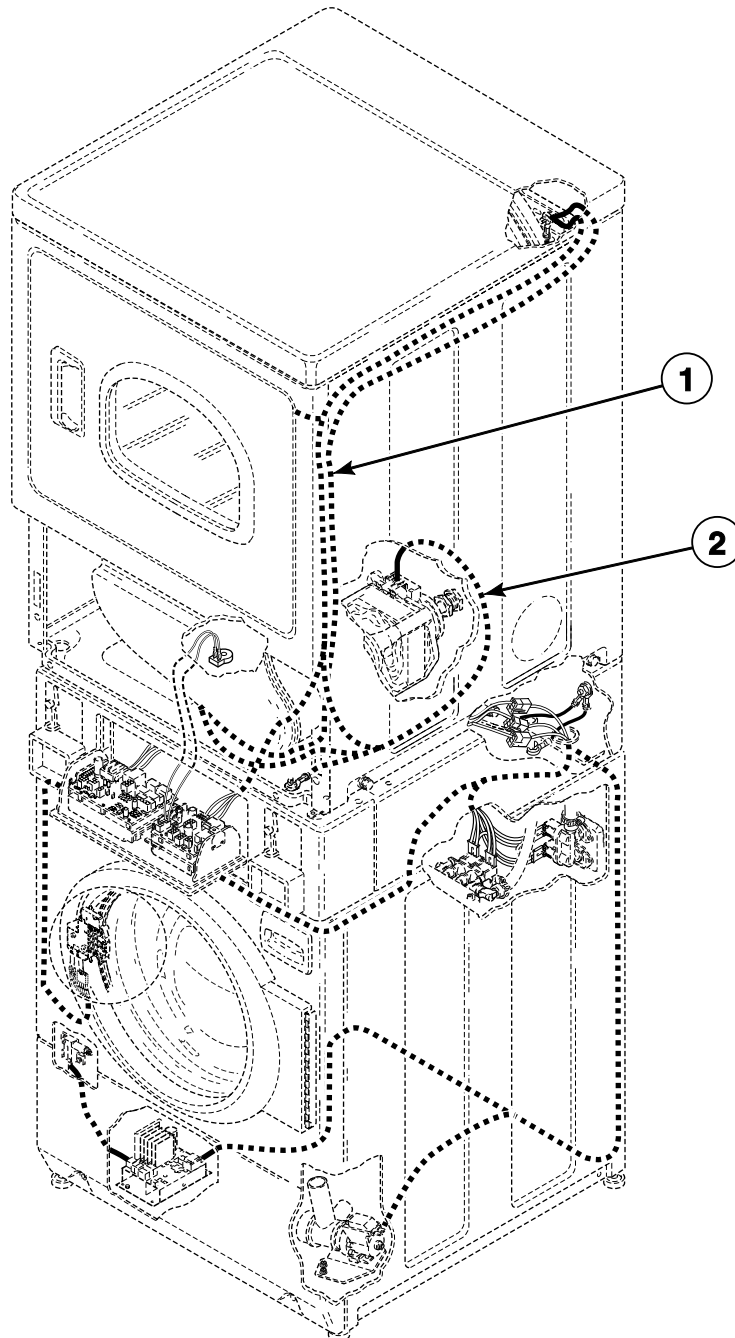
Dryer Wire Harnesses and Wires (Drawing 2 of 3)

REF	PART NO.	DESCRIPTION	COMMENTS
	45001	18 Gauge Wire	Black; Order wire by the foot; Order terminals and connectors as required
	45380	12 Gauge Wire	Orange; Order wire by the foot; Order terminals and connectors as required
	513246P	Jumper Assembly	For models with two resistors, connect jumper wire to each resistor; Models JT1DEFSP411EW01, JT1DGFSP411EW01, JT1DGFSP411EW06, JT1DMFSG411EN01, JT1DMFSG411EN06, JT1DXFSP411EW01, JTEDEFSP301EW01, JTEDXFSP301EW01, STELXFSP431AW01, STELXFSP432AW01, STGLXFSP301AW01, STGLXFSP302AW01, STLNXFSP542NW23, STLNYFSP541NW23 and STLNYFSP542NW23
1	512422P	Wire Harness Assembly	
2	512273P	Wire Configuration Assembly	Models BT3LLFSG401UN01, BT3LLFSG401UW01, BT3LLFSG402UW01, BT3LLFSP401UN01, BT3LLFSP402UN01, BT3LLFSP401UW01, BT3LLFSP402UW01, BT3LXFSG401UN01, BT3LXFSG401UW01, BT3LXFSG402UW01, BT3LXFSP401UN01, BT3LXFSP402UN01, BT3LXFSP401UW01, BT3LXFSP402UW01, JT1DEFSP411EW01, JT1DGFSP411EW01, JT1DGFSP411EW06, JT1DMFSG411EN01, JT1DMFSG411EN06, JT1DXFSP411EW01, JTEDEFSP301EW01, JTEDXFSP301EW01, NT1LLFSP411UW06, NT1LLFSP412UW06, NT1LXFSP401UN01, NT1LXFSP401UW01, NT1LXFSP402UW01, NT1LXFSP402UW06, NT3LLFSG401UW01, NT3LLFSG402UW01, NT3LLFSP401NN22, NT3LLFSP402NN22, NT3LLFSP401NW22, NT3LLFSP402NW22, NT3LLFSP401UN01, NT3LLFSP402UN01, NT3LLFSP401UW01, NT3LLFSP402UW01, NT3LXFSG401UW01, NT3LXFSG402UW01, NT3LXFSP401UN01, NT3LXFSP402UN01, NT3LXFSP401UW01, NT3LXFSP402UW01, NT3LXFSP402NW22, NTHLXFSP571NW01, NTHLXFSP572NW01, NTHLYFSP571NW01, NTHLYFSP572NW01, ST3LXFSP401NW22, ST3LXFSP402NW22, STELXFSP431AW01, STELXFSP432AW01, STEWYFSP302NW25, STGLXFSP301AW01, STGLXFSP302AW01, STLNXFSP542NW23, STLNYFSP541NW23 and STLNYFSP542NW23
3	512275P	Wire Configuration Assembly	Models BT3LLFSG401UN01, BT3LLFSG401UW01, BT3LLFSG402UW01, BT3LLFSP401UN01, BT3LLFSP402UN01, BT3LLFSP401UW01, BT3LLFSP402UW01, BT3LXFSG401UN01, BT3LXFSG401UW01, BT3LXFSG402UW01, BT3LXFSP401UN01, BT3LXFSP402UN01, BT3LXFSP401UW01, BT3LXFSP402UW01, JT1DEFSP411EW01, JT1DGFSP411EW01, JT1DGFSP411EW06, JT1DMFSG411EN01, JT1DMFSG411EN06, JT1DXFSP411EW01, JTEDEFSP301EW01, JTEDXFSP301EW01, NT1LLFSP411UW06, NT1LLFSP412UW06, NT1LXFSP401UN01, NT1LXFSP401UW01, NT1LXFSP402UW01, NT1LXFSP402UW06, NT3LLFSG401UW01, NT3LLFSG402UW01, NT3LLFSP401NN22, NT3LLFSP402NN22, NT3LLFSP401NW22, NT3LLFSP402NW22, NT3LLFSP401UN01, NT3LLFSP402UN01, NT3LLFSP401UW01, NT3LLFSP402UW01, NT3LXFSG401UW01, NT3LXFSG402UW01, NT3LXFSP401UN01, NT3LXFSP402UN01, NT3LXFSP401UW01, NT3LXFSP402UW01, NT3LXFSP402NW22, NTHLXFSP571NW01, NTHLXFSP572NW01, NTHLYFSP571NW01, NTHLYFSP572NW01, ST3LXFSP401NW22, ST3LXFSP402NW22, STELXFSP431AW01, STELXFSP432AW01, STEWYFSP302NW25, STGLXFSP301AW01, STGLXFSP302AW01, STLNXFSP542NW23, STLNYFSP541NW23 and STLNYFSP542NW23

NOTE: Individual wires are not available separately. Order complete harness, or order wire by the foot. When applying terminals to wires, it is recommended that the terminals be soldered to the wires.

Dryer Wire Harnesses and Wires (Drawing 3 of 3)

All Models Except HTENXFSP282CW01, HTENXFSP292CW01, HTENYFSP282CW01, HTENYFSP292CW01, JT2DEFSP411EW01, JT2DGFSP411EW01, JT2DGFSP411EW06, JT2DMFSG411EN01, JT2DMFSG411EN06, JT2DXFSP411EW01, JTGDEFSP301EW01, JTGDXFSP301EW01, NT2LLFSP401UN01, NT2LLFSP402UN01, NT2LLFSP401UW01, NT2LLFSP402UW01, NT2LLFSP401UW06, NT2LLFSP402UW06, NT2LXFSP401UN01, NT2LXFSP402UN01, NT2LXFSP401UW01, NT2LXFSP402UW01, NT2LXFSP402UW06, STENCFSP172TW01, STENXFSP172TW01 and STENYFSP172TW01



SWD1253PA_803403

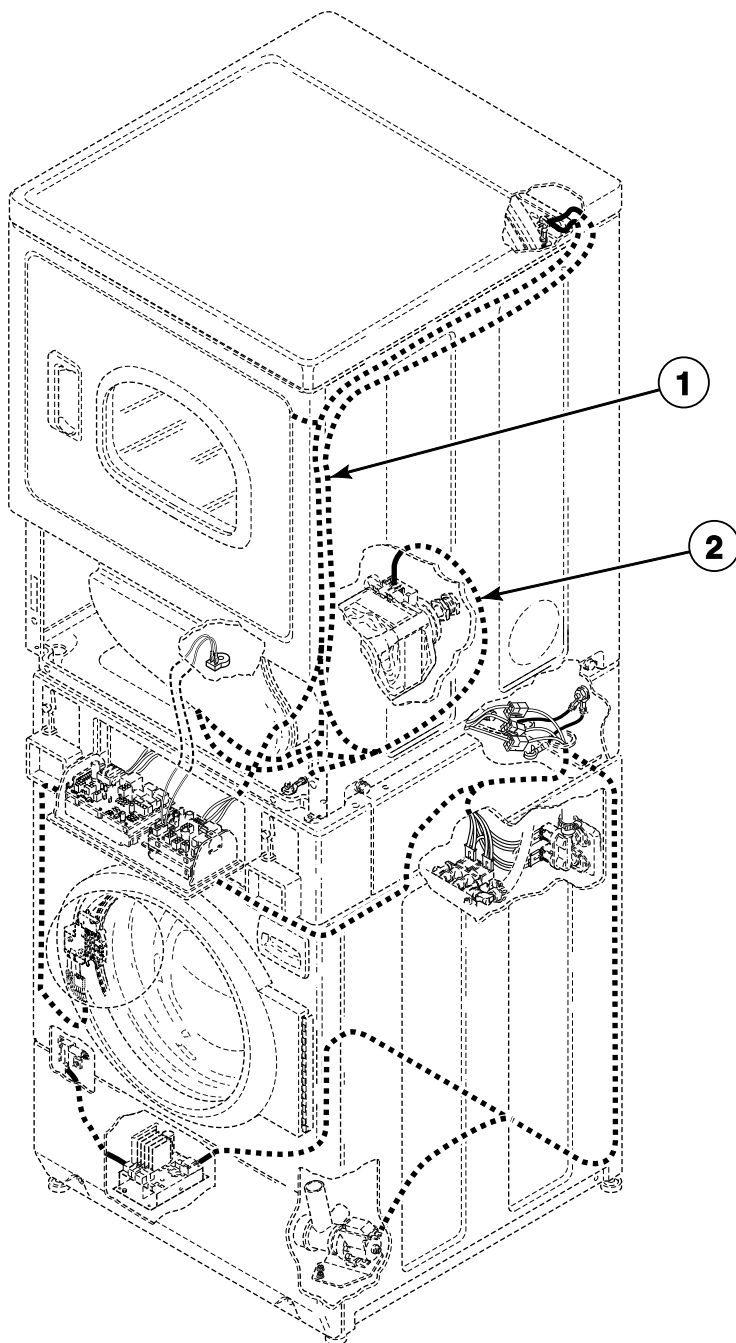
Dryer Wire Harnesses and Wires (Drawing 3 of 3)

REF	PART NO.	DESCRIPTION	COMMENTS
	45001	18 Gauge Wire	Black; Order wire by the foot; Order terminals and connectors as required
	45380	12 Gauge Wire	Orange; Order wire by the foot; Order terminals and connectors as required
1	512890P	Power Wire Harness Assembly	Models HTELCFSP281CW01, HTELCFSP291CW01, HTELYFSP281CW01, HTELYFSP291CW01, HTENXFSP281CW01, HTENXFSP291CW01, HTENYFSP281CW01 and HTENYFSP291CW01
	512643P	Wire Harness Assembly	Models HTGLXFSP091CW01, HTGNXFSP091CW01 and HTGNXFSP092CW01
2	511792P	Electronic Harness	Upper; Models JT1DEFSP411EW01, JT1DGFSP411EW01, JT1DGFSP411EW06, JT1DMFSG411EN01, JT1DMFSG411EN06, JT1DXFSP411EW01, JTEDEFSP301EW01, JTEDXFSP301EW01, NT1LLFSP411UW06, NT1LLFSP412UW06, NT1LXFSP401UN01, NT1LXFSP401UW01, NT1LXFSP402UW01, NT1LXFSP402UW06, NTHLXFSP571NW01, NTHLXFSP572NW01, NTHLYFSP571NW01, NTHLYFSP572NW01, STELCFSP171TW01, STELCFSP171TW01, STELCFSP431AW01, STELCFSP432AW01, STELYFSP171TW01, STENCFSP171TW01, STENXFSP171TW01, STENYFSP171TW01 and STEWYFSP302NW25
	511793P	Electronic Harness	Upper; Models HTGLXFSP091CW01, HTGNXFSP091CW01, HTGNXFSP092CW01, STGLCFSP111TW01, STGLCFSP111TWNA, STGLXFSG111TW01, STGLXFSP111TW01, STGLYFSP111TW01, STGLYFSP111TWNA, STGNCFSP111TW01, STGNCFSP112TW01, STGNXFSG082JW01, STGNXFSG111TW01, STGNXFSG112TW01, STGNXFSP111TW01, STGNXFSP112TW01, STGNFYFSP111TW01 and STGNFYFSP112TW01
	512434P	Wire Harness Assembly	Upper; Models BT3LLFSG401UN01, BT3LLFSG401UW01, BT3LLFSG402UW01, BT3LLFSP401UN01, BT3LLFSP402UN01, BT3LLFSP401UW01, BT3LLFSP402UW01, BT3LXFSG401UN01, BT3LXFSG401UW01, BT3LXFSG402UW01, BT3LXFSP401UN01, BT3LXFSP402UN01, BT3LXFSP401UW01, BT3LXFSP402UW01, NT3LLFSG401UW01, NT3LLFSG402UW01, NT3LLFSP401NN22, NT3LLFSP402NN22, NT3LLFSP401NW22, NT3LLFSP402NW22, NT3LLFSP401UN01, NT3LLFSP402UN01, NT3LLFSP401UW01, NT3LLFSP402UW01, NT3LXFSG401UW01, NT3LXFSG402UW01, NT3LXFSP401UN01, NT3LXFSP402UN01, NT3LXFSP401UW01, NT3LXFSP402UW01, NT3LXFSP402NW22, ST3LXFSP401NW22 and ST3LXFSP402NW22
	512644	Wire Harness Assembly	Upper; Models HTELCFSP281CW01, HTELCFSP291CW01, HTELYFSP281CW01, HTELYFSP291CW01, HTENXFSP281CW01, HTENXFSP291CW01, HTENYFSP281CW01 and HTENYFSP291CW01
	512285	Wire Harness Assembly	Models STGLXFSP301AW01 and STGLXFSP302AW01
	512415	Wire Harness Assembly	Models STLNXFSP542NW23, STLNYFSP541NW23 and STLNYFSP542NW23

NOTE: Individual wires are not available separately. Order complete harness, or order wire by the foot. When applying terminals to wires, it is recommended that the terminals be soldered to the wires.

Dryer Wire Harnesses and Wires Through Serial No. 1303025314

Models HTENXFSP282CW01, HTENXFSP292CW01, HTENYFSP282CW01, HTENYFSP292CW01,
STENCFSP172TW01, STENXFSP172TW01 and STENYFSP172TW01



SWD1253PA_803403

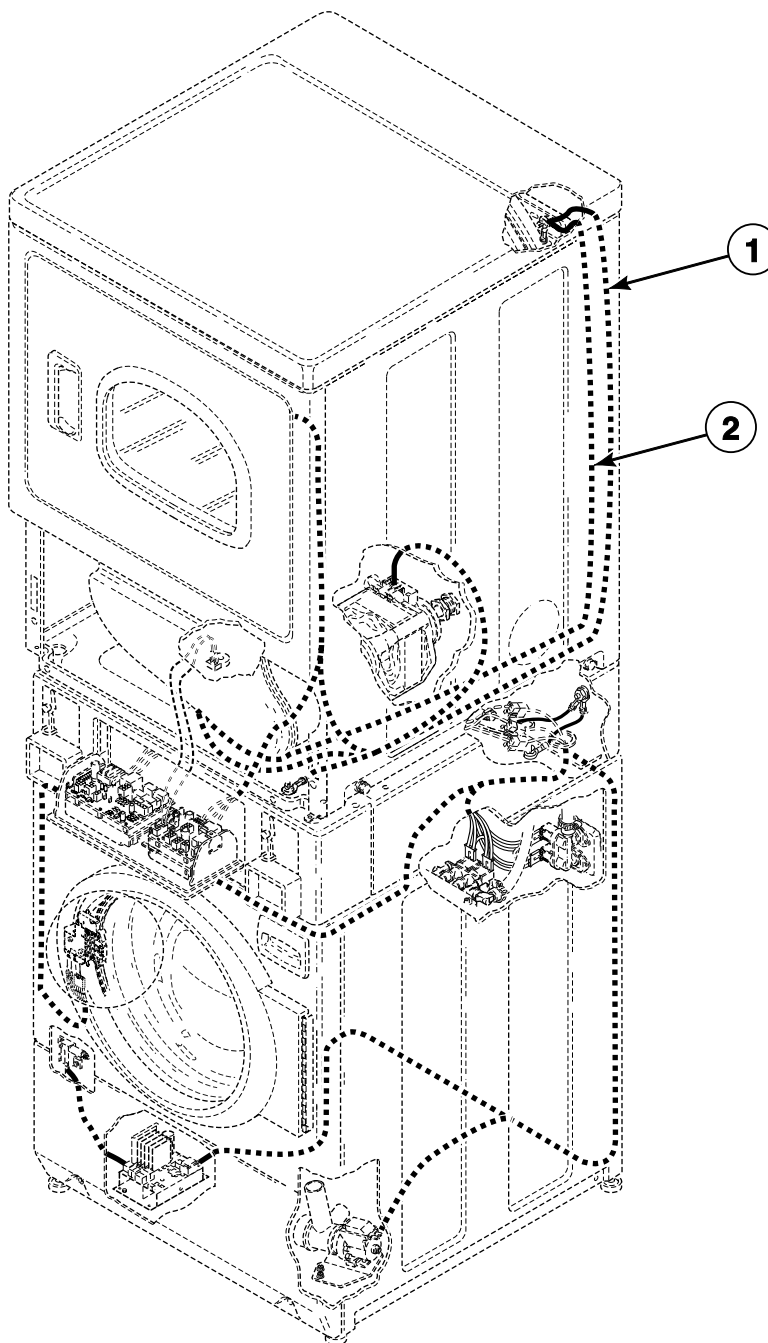
Dryer Wire Harnesses and Wires Through Serial No. 1303025314

REF	PART NO.	DESCRIPTION	COMMENTS
	45001	18 Gauge Wire	Black; Order wire by the foot; Order terminals and connectors as required
	45380	12 Gauge Wire	Orange; Order wire by the foot; Order terminals and connectors as required
1	512890P	Power Wire Harness Assembly	Models HTENXFSP282CW01, HTENXFSP292CW01, HTENYFSP282CW01 and HTENYFSP292CW01
2	511792P	Electronic Harness	Upper; Models STENCFSP172TW01, STENXFSP172TW01 and STENYFSP172TW01
	512644	Wire Harness Assembly	Upper; Models HTENXFSP282CW01, HTENXFSP292CW01, HTENYFSP282CW01 and HTENYFSP292CW01

NOTE: Individual wires are not available separately. Order complete harness, or order wire by the foot. When applying terminals to wires, it is recommended that the terminals be soldered to the wires.

Dryer Wire Harnesses and Wires Starting Serial No. 1303025315

Models HTENXFSP282CW01, HTENXFSP292CW01, HTENYFSP282CW01, HTENYFSP292CW01,
STENCFSP172TW01, STENXFSP172TW01 and STENYFSP172TW01



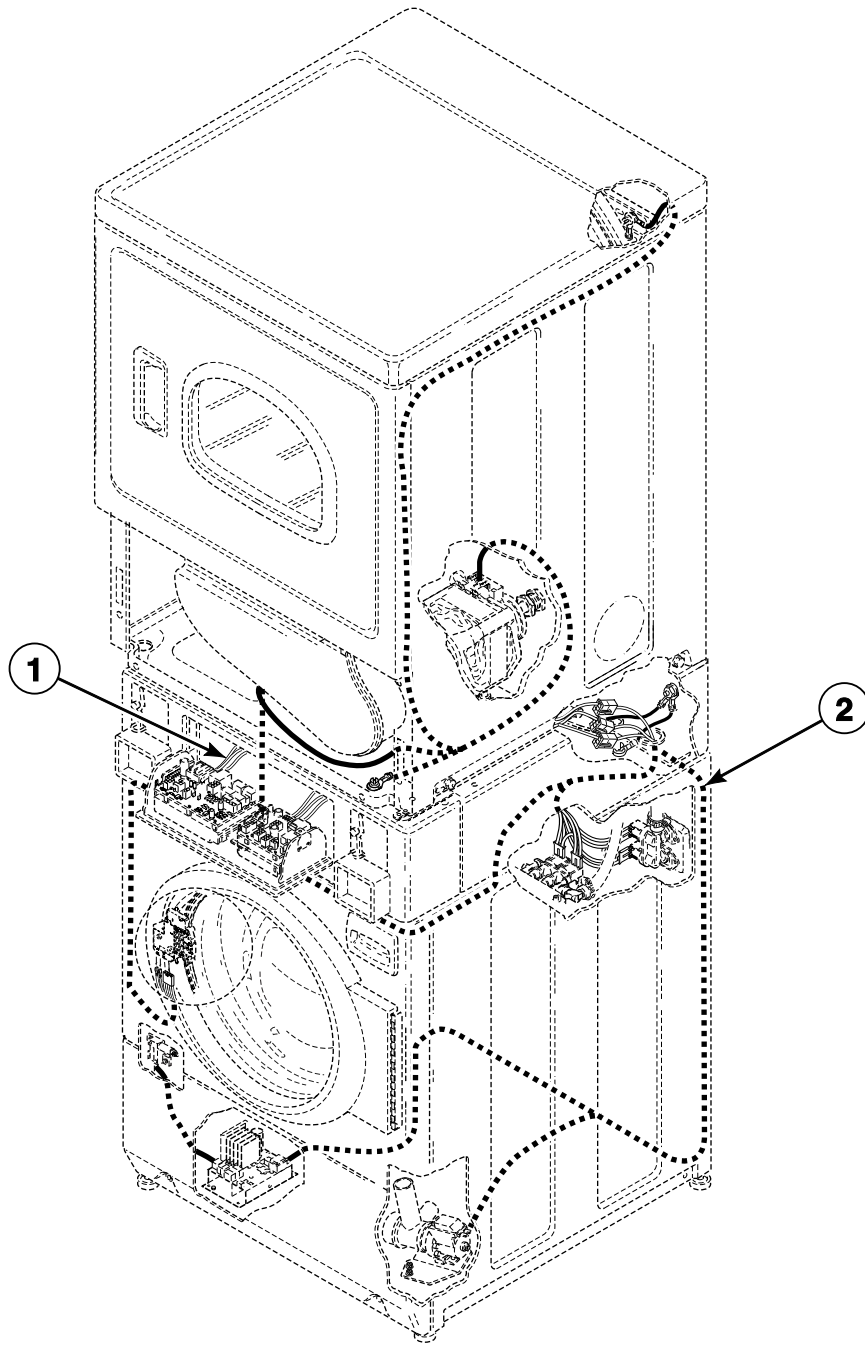
SWD1279P_803403

Dryer Wire Harnesses and Wires Starting Serial No. 1303025315

REF	PART NO.	DESCRIPTION	COMMENTS
	45001	18 Gauge Wire	Black; Order wire by the foot; Order terminals and connectors as required
	45380	12 Gauge Wire	Orange; Order wire by the foot; Order terminals and connectors as required
1	514094	Electronic Harness	Upper
2	512890P	Power Wire Harness Assembly	Models HTENXFSP282CW01, HTENXFSP292CW01, HTENYFSP282CW01 and HTENYFSP292CW01

NOTE: Individual wires are not available separately. Order complete harness, or order wire by the foot. When applying terminals to wires, it is recommended that the terminals be soldered to the wires.

Washer Wire Harnesses and Wires (Drawing 1 of 2)



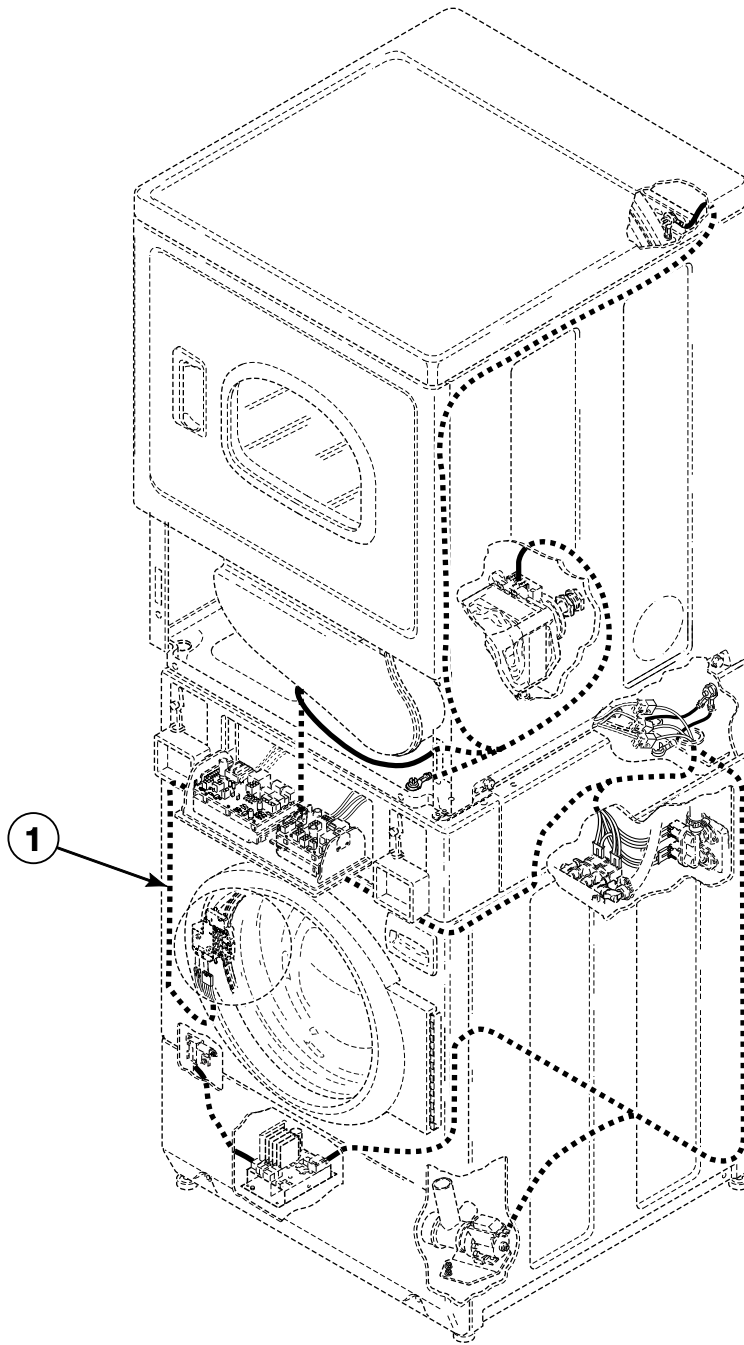
SWD1197PA_803403

Washer Wire Harnesses and Wires (Drawing 1 of 2)

REF	PART NO.	DESCRIPTION	COMMENTS
	45001	18 Gauge Wire	Black; Order wire by the foot; Order terminals and connectors as required
	45380	12 Gauge Wire	Orange; Order wire by the foot; Order terminals and connectors as required
1	803107	Harness Assembly	Models HTELCFSP281CW01, HTELCFSP291CW01, HTELYFSP281CW01, HTELYFSP291CW01, HTENXFSP281CW01, HTENXFSP282CW01, HTENXFSP291CW01, HTENXFSP292CW01, HTENYFSP281CW01, HTENYFSP282CW01, HTENYFSP291CW01, HTENYFSP292CW01, HTGLXFSP091CW01, HTGNXFSP091CW01, HTGNXFSP092CW01, STELCFSP171TW01, STELCFSP171TW01, STELYFSP171TW01, STENCFSP171TW01, STENCFSP172TW01, STENXFSP171TW01, STENXFSP172TW01, STENYFSP171TW01, STENYFSP172TW01, STGLCFSP111TW01, STGLCFSP111TWNA, STGLXFSG111TW01, STGLXFSP111TW01, STGLYFSP111TW01, STGLYFSP111TWNA, STGNCFSP111TW01, STGNCFSP112TW01, STGNXFSG082JW01, STGNXFSG111TW01, STGNXFSG112TW01, STGNXFSP111TW01, STGNXFSP112TW01, STGNYFSP111TW01 and STGNYFSP112TW01
	803313	Control Harness Assembly	Models JTEDEFSP301EW01, JTEDXFSP301EW01, JTGDEFSP301EW01, JTGDXFSP301EW01, STELCFSP431AW01, STELCFSP432AW01, STEWYFSP302NW25, STGLXFSP301AW01, STGLXFSP302AW01, STLNXFSP542NW23, STLNYFSP541NW23 and STLNYFSP542NW23
	803312	Control Harness Assembly	Models JT1DMFSG411EN01 and JT2DMFSG411EN01 through Serial Nos. beginning 1003
	802906P	Harness Assembly	Models JT1DMFSG411EN01 and JT2DMFSG411EN01 starting Serial Nos. beginning 1003; All other models
2	802274P	Motor Harness Assembly	Models through Serial No. 1201004551
	803581	Motor Harness Assembly	Models starting Serial No. 1201004552

NOTE: Individual wires are not available separately. Order complete harness, or order wire by the foot. When applying terminals to wires, it is recommended that the terminals be soldered to the wires.

Washer Wire Harnesses and Wires (Drawing 2 of 2)



SWD1197PB_803403

Washer Wire Harnesses and Wires (Drawing 2 of 2)

REF	PART NO.	DESCRIPTION	COMMENTS
	45001	18 Gauge Wire	Black; Order wire by the foot; Order terminals and connectors as required
	45380	12 Gauge Wire	Orange; Order wire by the foot; Order terminals and connectors as required
1	802833P	Base Harness Assembly	Models JTEDEFSP301EW01, JTEDXFSP301EW01, JTGDEFSP301EW01, JTGDXFSP301EW01, STELXFSP431AW01, STELXFSP432AW01, STENYFSP172TW01, STEWYFSP302NW25, STGLXFSP301AW01, STGLXFSP302AW01, STLNXFSP542NW23, STLNYFSP541NW23 and STLNYFSP542NW23
	802831P	Base Harness Assembly	Models HTELXFSP281CW01, HTELXFSP291CW01, HTELYFSP281CW01, HTELYFSP291CW01, HTENXFSP281CW01, HTENXFSP282CW01, HTENXFSP291CW01, HTENXFSP292CW01, HTENYFSP281CW01, HTENYFSP282CW01, HTENYFSP291CW01, HTENYFSP292CW01, HTGLXFSP091CW01, HTGNXFSP091CW01, HTGNXFSP092CW01, STELCFSP171TW01, STELXFSP171TW01, STELYFSP171TW01, STENCFSP171TW01, STENCFSP172TW01, STENXFSP171TW01, STENXFSP172TW01, STENYFSP171TW01, STENYFSP172TW01, STGLCFSP111TW01, STGLCFSP111TWNA, STGLXFSG111TW01, STGLXFSP111TW01, STGLYFSP111TW01, STGLYFSP111TWNA, STGNCFSP111TW01, STGNCFSP112TW01, STGNXFSG082JW01, STGNXFSG111TW01, STGNXFSG112TW01, STGNXFSP111TW01, STGNXFSP112TW01, STGNXFSP111TW01 and STGNXFSP112TW01
	802834P	Base Harness Assembly	All other models through Serial No. 1001000989
	803470	Base Harness Assembly	All other models starting Serial No. 1001000990

NOTE: Individual wires are not available separately. Order complete harness, or order wire by the foot. When applying terminals to wires, it is recommended that the terminals be soldered to the wires.

Parts Index

A

Access Panel and Guard Assembly 514252W.....	75
Access Panel Assembly 514250W.....	35, 75
514251.....	35, 75
Access Panel Damper 685368.....	35
Access Panel Plate 510903.....	103
Adhesive 511637P.....	83, 87
Air Duct Assembly 510151LG.....	85
510151W.....	85
Anchor Floor Mount Assembly 802844P.....	61
Anti-Seize Compound 27604P.....	53
Audit Switch Bracket 800379.....	13
800380.....	13

B

Backflow Preventer 34500.....	39, 41, 45
800310.....	59
Ballast Weight 800205.....	47, 51
Base Assembly 802245.....	61
Base Harness Assembly 802831P.....	137
802833P.....	137
802834P.....	137
803470.....	137
Base Shock Absorber Kit 802881P.....	47, 51
Bearing Housing Kit 800428P.....	53
Bearing Kit RB160001.....	53
Bit Holder 24161.....	123
Block to Relay Harness 511112P.....	91
Blower and Fan Kit 510717P.....	79
Blower Fan Assembly 510139P.....	79
Blower Housing 511969WP.....	79
Blower Housing Seal 510238P.....	79
Booster and Holding Coil 58804A.....	97

Boot Nozzle 802291.....	37, 41
Brace Kit 918P3.....	61
Bracket 510146.....	103
Bumper Pad 36226.....	61
56128.....	103
Burner Assembly 510149P.....	97

C

Cabinet Brace 801491.....	61
801492.....	61
Cabinet Panel Kit 800004WP.....	63
Cabinet Rear Panel 510005P.....	101
Cabinet Side Panel 510001GP.....	101
510001WP.....	101
510002GP.....	101
510002WP.....	101
512538.....	101
512539.....	101
802525P.....	63
802526P.....	63
Cable Connection Box 39922.....	65
Cable Tie 39037.....	41
Cap 801746.....	43
Card Insert Overlay 511544.....	25
511548.....	25
Card Reader Shield 801101.....	107
Caution Label 500253.....	73
Central Pay Harness 511478.....	7, 29
Clamp Ring 800312.....	47, 51
Clean Lint Label 502804.....	73
Clip 201572.....	23
Clothes Guard 803537.....	47, 51
Clothes Guard and Deflector Kit 804560P.....	47, 51
Clothes Guard Deflector 804174P.....	47, 51
804482.....	47, 51
Coin Drop 38963P.....	21

N/A items do not appear in index.

70441601P.....	21
Coin Drop Assembly	
CK114.....	21
38462P.....	21
38463.....	21
38464P.....	21
38467.....	21
38472.....	21
38519.....	21
38521.....	21
70441602.....	21
70482401.....	21
Coin Drop Wire Harness	
201104.....	23
Coin Identification Paper	
38725.....	21, 23
Combustion Duct	
510131.....	95
510132.....	95
Communication Connector	
210099.....	15
Connector, 2 Circuit	
58799.....	113
Connector, 3 Circuit	
58800.....	113
Contactora	
F330177P.....	17, 27, 91
F8379101.....	17, 27
70323701P.....	105
Contactora Bracket	
511859.....	107
Contactora Wire Harness Assembly	
801120P.....	17, 27
804229.....	17, 27
Control Assembly	
511867P.....	7, 29
513534P.....	7, 29
802912P.....	7, 29
803306P.....	7
803317P.....	29
803321P.....	29
803367P.....	7
803541.....	29
803619P.....	7
Control Cabinet Bottom	
801777.....	27
Control Harness Assembly	
803312.....	135
803313.....	135
Control Overlay	
513545.....	9
802886.....	9
803596.....	9
Control Panel	
801778B.....	29
801778W.....	29
Control Panel and Bracket Assembly	
800034B.....	9
800034W.....	9
Control Shield	
801061.....	55
801371.....	11, 27
804738.....	55
Conversion Kit	
756P3.....	91

Cylinder Assembly	
505929LG.....	83
510265LG.....	83
510265WP.....	83
Cylinder Baffle	
510102LG.....	83
510102W.....	83
Cylinder Belt	
511255P.....	79
Cylinder Glide	
510188.....	83
Cylinder Glide Bracket	
510145.....	83
Cylinder Roller	
510708P.....	87
Cylinder Roller Bracket	
510100.....	87
Cylinder Seal Assembly	
510207P.....	83, 87

D

Damper	
58786.....	105
Detergent Cover	
800899.....	39, 43
Diagnostic Wire Harness Assembly	
800374.....	7
800680.....	29
Din Rail	
M412693.....	91, 107
Directional Exhaust Kit	
528P3.....	105
Disconnect Power Warning Label	
505281.....	117
Dispenser	
685756P.....	43
801090P.....	43
Dispenser Assembly	
801476P.....	43
803441.....	39
803546.....	39
Dispenser Drawer	
685757P.....	39, 43
Dispenser Drawer Front	
685715WP.....	43
Dispenser Drawer Tool	
318P4.....	123
Dispenser Handle	
802879P.....	43
803318.....	39, 43
803329W.....	39, 43
Dispenser Plate	
801024.....	39, 41
Dispenser-to-Air Gap Hose	
803440.....	39
Dispenser-to-Door Seal Hose	
802256.....	37, 41
Dispenser-to-Tub Hose	
800331.....	39, 43
Domed Label	
800921.....	9

N/A items do not appear in index.

Door and Liner Assembly 511636WP	71
Door Assembly 802368WP	33
802872P	33
Door Catch Assembly 514113	73
802803	33
Door Glass 802695P	33
Door Handle Wedge 510129	69
Door Hinge 802934	33
Door Latch/Switch Assembly 802317P	35
Door Liner and Seal Assembly 513226LG	69
Door Liner Grill 503870LG	69
503870W	69
Door Locked Warning Label 802367	117
Door Pull 512947	71
Door Pull and Wedge Kit 510103WP	71
Door Seal Assembly 802866P	37, 41
803554	37
Door Seal Kit 802830P	37, 41
Door Strike 510181	69
Door Strike Mount 510127	69
Drain Hose 27154	59
Drain Hose Elbow 35766	59
Drain Kit 985P3	59
Drain Pump 802623P	59
802624P	59
802625P	59
Drain Valve 803293	57
Drain Valve Kit F975P3	57
F976P3	57
Drain-to-Cabinet Hose 800903	57
Drive Belt 800319P	55
Driven Pulley 800866	53
Dryer Base 513901	105
Dryer Door 510082WP	69
513225	69
Dryer Door Assembly 514114W	69

Dryer Door Window 503982P	69
Dual Overlay 39073	21

E

Elbow 513072	97
Elbow Shut-Off Valve 510205	97
Electric Access Panel 801134	19
Electrical Shock Label F8211201	49, 51, 121
502511	117
Electronic Coin Drop Assembly 70294103P	23
70294104	23
70294105P	23
70294106	23
70294107	23
70294110	23
70294111	23
70294112	23
70294116	23
70294117	23
70294120	23
70294121	23
Electronic Coin Drop Kit CK099	23
CK100	23
CK101	23
CK103	23
CK108	23
CK109	23
CK110	23
CK113	23
CK115	23
CK116	23
CK117	23
CK118	23
CK120	23
CK121	23
Electronic Harness 511792P	129, 131
511793P	129
514094	133
End Stop 70121001	91, 105
Ethernet Gateway Kit NK320	7, 9, 29
Exhaust Duct 510137	105
Exhaust Warning Label 500497	117
Expansion Clip 70030501	27, 31
Extension Spring 802285	37
Extractor Tool 128P4	111
190P4	111

N/A items do not appear in index.

F

Felt Pad	
510189	83
Female Piggyback Terminal	
00361	113
Female Pin Terminal	
00117	113
Female Spade Terminal	
00189	113
Female Terminal	
00188	111
00255	111
00256	111, 113
Fill Hose	
202931	45
20617	45
20618	45
37380	45
37381	45
Fill Hose Kit	
38349P	45
Filter	
801255P	19, 31
Fitting	
801792P	19, 31
Flange Relay	
F330230	27
Flexible Venting Kit	
521P3	105
Flow Regulator	
803230	39, 41
Front Bulkhead Assembly	
510266P	83
Front Panel	
510066WP	73
512542	73
802277WP	35
802288P	35
Front Panel Assembly	
513781W	73
Front Panel Seal	
511056	73
Fuse	
801755	55
Fuse Notice Label	
61294	85, 103

G

Gas Valve Assembly	
60353P	97
Gas Valve Mounting Bracket	
510128	97
Gasket	
802427	59
Glass Door Window	
513910	71
Glass Mounting Clip	
802700	33
Glide Kit	
RB170003	83

Gravity Drain Bracket	
803291	57
Gravity Drain Valve	
803292	57
Grommet	
29175	47, 51
Grounding Clip	
00161	47, 51

H

Hardware Kit	
838P3	53
Harness Assembly	
511327	105
802904P	21
802905	21, 23
802906P	135
803107	135
Harness Strap	
55881	37, 67, 113
Heat Duct Shroud	
510101	95
Heater	
511014P	91
Heater Assembly	
510324P	93
510326P	93
510327P	93
510329P	93
510330P	93
Heater Duct and Screw Assembly	
510025P	91, 93, 95
Heater Harness	
802323P	51
803492	51
Heater Kit	
964P3	93
965P3	93
Heater Kit Assembly	
61927	93
61928	93
61929	93
61930	93
Heating Element Kit	
803557P	51
803558P	51
Hinge	
511036	71
Hinge Hole Plug	
510186	73
Hinge Plate	
802206	37
Hole Plug	
M412154	61
Hose Clamp	
F200204	59
F200206	43
20211	59
20391	59
39282	47, 51
685725	39, 43, 57
802164	37, 39, 41, 45
802281	37

N/A items do not appear in index.

802698	37, 39, 41
Hose Clip	
36985	11, 27, 67
800553	53
Hose Mounting Plate	
800552	53
Housing, 10 Position	
500338	111

I

Idler Lever	
510133	79
Idler Lever and Wheel Assembly	
510158	79
Idler Spring	
510185	79
Idler Wheel and Bearing Assembly	
510142P	79
Igniter and Bracket Assembly	
510184P	97
Injection Nozzle	
F8322001	39
Inner Basket Assembly	
802365P	53
803008P	53
Inner Door Bezel Kit	
802307P	33
802331P	33
Insert	
685716	39, 43
Instruction Label	
505052	117
513543	117
Insulated Female Flag Terminal	
00221	113
Inverter Control Assembly	
803254P	55
803255P	55

J

Jumper Assembly	
513246P	127
Jumper Configuration Assembly	
M413507	13, 27
Jumper Harness	
513268	55
513316	55
Jumper Harness Assembly	
M413504	13
M413505	13
Jumper Wire Assembly	
511270	91
Junction Box	
801403	65
804360	65
Junction Box Cover	
801404	65
Junction Box Seal	
801425P	65

K

Key	
54612	9

L

Lead-In Cord	
34458	67
512019	109
513329	109
59308	109
59373	109
Lead-In Cord Assembly	
503597	109
Lead-In Cord Kit	
61605P	109
Lead-In Pipe Assembly	
510204	97
Left Control Cabinet Side	
801738B	27
801738W	27
Leveling Leg	
34319	61
510135	105
Lid Assembly	
802426P	59
Limit Thermostat	
510701	91, 93
510702	95
Line Filter	
201058	19, 31, 65
Liner and Seal Assembly	
510098LG	69
510098W	69
Liner Door Seal	
510147P	69
Liner, Seal and Grill Assembly	
513109P	69
Lint Filter	
503980LG	85
503980W	85
Lock Cam	
27261	7
Lock Kit	
27260P	7
Lower Junction Box	
801433	65
L.P. Conversion Kit	
458P3	97
600P3	97
L.P. Orifice	
503786	99
58755	99

M

Male Pin Terminal	
00116	113
Manual Reset Thermostat	
M411941	81

N/A items do not appear in index.

Mixing Valve	
802220P	45
802222P	45
Mixing Valve Plate	
800323	45
Mixing Valve Screen	
802926	45
Motor Access Hole Edging	
801702	61
Motor and Pulley Assembly	
505843P	77
505869P	77
511629P	77
Motor and Rod Assembly Kit	
801684P	55
Motor Harness Assembly	
802274P	135
803581	135
Motor Hub Ring Kit	
590P3	77
Motor Mount	
510060	79
Motor Mount Clamp	
510180	79
Motor Mount Rod	
801062	55
Motor Pulley	
500011	77
500222	77
Mounting Tool Kit	
CK096	123

N

Nameplate Overlay	
803323	117
Network Controller Kit	
NK220	7, 9, 29
Network Retrofit Kit	
NK203	7, 9, 29
Network Varistor Assembly	
801311	19, 31
Network Wire Harness Assembly	
44088501P	15
Notice Label	
803011	117
Notice Label, 30 Amp	
500493	117
Nut	
F430218	47, 51, 53
M404993	39
03673	67
201216	23
21899	61
23951	33
29786	21, 57
29787	19, 31
36020	35
44071201	71
52566	79
56156	79, 87
685846	33
800452	47, 51
802292	37, 41

N/A items do not appear in index.

802343	47, 51
803017	53
N.G. Conversion Kit	
459P3	97
N.G. Orifice	
503776	99
503778	99
503779	99
503780	99
510517	99

O

Opto Coupler	
200674P	21
Orifice	
803544	39
O-Ring	
F170208	39
802429P	59
803545	39
Outer Door Bezel Kit	
802313WP	33
802314P	33
Outer Tub Assembly	
801081P	47
801291	51
Outlet Cover	
500820	91, 93, 95
Out-of-Balance Switch Assembly	
801006	47, 51
803415	47, 51
Overlay	
201091	23
802994	9
802996	9
802997	29
803135	29
803136	9
803284	29
803285	29
803286	9
Overlay Kit	
38676	21
Oversudsing Label	
802074	117
802838	117
802839	117

P

Panel Kit	
727P3W	101
Panel Locator	
56079	21, 25, 35, 61, 73, 75, 103
Pinched Fingers Label	
F8211301	49, 51, 121
Plug	
23040	113
Plug, 9 Circuit	
23033	113
Pop Rivet	
685847	53

Porcelain Touch-Up Paint	
122P4P	61, 63, 101
370P4P	61, 63, 101
Power Cord Assembly	
202624	65
39931	65
506081	109
58992	109
801450	65
801660	65
Power Harness Assembly	
803150P	89
Power Wire Harness Assembly	
512890P	129, 131, 133
Pressure Bulb	
30907	47, 51
Pressure Switch	
802299P	11, 27
803303P	27
Pulley Bolt Tightening Fixture	
802336	123
Pump Housing	
802428	59
Pump Housing Assembly	
802434P	59
Pump Mount Bracket	
802626	59
Pump-to-Elbow Hose	
685737	59

R

Ratchet Extension Tool	
310P4	123
Rear Access Panel	
800011	61
Rear Bulkhead Assembly	
505246	87
511082P	87
Rear Control Cabinet	
801058	27, 31
Rear Panel	
800010P	61
801216	61
Receptacle, 2 Circuit	
501223	113
Receptacle, 3 Circuit	
23039	113
36170	113
Receptacle, 6 Circuit	
26708	113
Relay to Heater Harness	
511114P	91
Resistor	
210100	11, 27
Retaining Ring	
23748	55, 79, 87
Right Control Cabinet Side	
800915B	27
800915W	27
Roller Kit	
RB170002	87

Rubber Foot	
34318	61

S

Screw	
M400043	53, 115
M400057	55
M405188	61
02916	57
20530	67, 109
23222	81, 91, 93, 97
31260	79
31645	61
33562	75
36048	21, 25, 105
39733	21, 25, 35, 61, 73, 75, 103
430497	61
500226	69
500824	79
501086	45
501285	85, 89
501524	9, 29, 55
503661	11, 15, 19, 21, 25, 27, 31, 35, 45, 47, 51, 55, 57, 59, 61, 65, 103
503688	11, 13, 19, 21, 25, 27, 31, 73, 79, 83, 87, 91, 93, 95, 97, 103
505295	71, 83
505870	69, 71
512921	21, 35, 61, 73, 75, 103
51782	27, 95, 97
52864	85
52909	59
56124	97
61199	89
62588	83
62853	75
685831	53
70240301	27, 31
800461	47, 51
800462	47, 51, 53
800548	33, 35, 39, 43
800930	29
801001	39, 41
801019	33
801045	35
801993	33
802430	59
802431	59
802596	47, 51
Screw Label	
685928	61
Screw Orifice	
58719	99
Seal Kit	
RB170001	83, 87
Sealant	
27615P	59
Secondary Coil	
58804B	97
Security Cabinet Front Assembly	
511208W	25
511632B	21
511632WP	21
Security Cabinet Rear Service Panel	
800177	11

N/A items do not appear in index.

Security Cabinet Wrapper Assembly	
800231W	21, 25
801235B	21
801235W	21, 25
Sensor	
510213	97
Shaft	
56461P	79, 87
Shipping Bracket Label	
686901	115
Shipping Materials Kit	
930P3	115
Side Panel	
800004G	63
800005G	63
Side Panel Kit	
800005WP	63
Single Drop Overlay	
803476	21
Single Overlay	
38717	21
Snap Bushing	
M402542	11, 19, 27, 31, 65
503235	57
Spacer	
803231	39, 41
Speed Clip	
28835	73
Standpipe Strap	
33489	59
Strain Relief	
38384	67, 109
502500	109
52113	109
52151	109
60298	65, 109
Strain Relief Adapter	
502496	109
Switch	
512973	13, 73
Switch Mounting Bracket	
800663	47, 51
803388	47, 51

T

Tension Rod Assembly	
800666	53
Terminal	
00252	113
Terminal Block Assembly	
505876	19, 31, 89
510190P	89
801250	19
801756	31
Terminal Block Shield	
510237	89
Terminal Block Support Bracket	
505875	89
Terminal Extractor Tool	
283P4	111
Thermal Fuse Assembly	
511412	91, 93

N/A items do not appear in index.

Thermistor	
803256	51
Thermistor Assembly	
502366	81
510523	81
Thermostat	
510703	95
Thermostat Opening Cover	
61203	61
Top Hinge	
510136	103
Top Kit	
510032WP	101
803144P	101
Torx Bit	
282P4	123
Transformer	
201375P	13, 23
210018P	13
803527P	13, 27
Transformer Kit	
511658P	107
Trunnion Shaft and Hardware Kit	
800749P	53
Tub Front Assembly	
802258	47
802260	51
803494	51
Tub Front Seal	
800432P	47, 51, 53
Tub Shock Absorber Kit	
800622P	47, 51
Tubing	
800648P	47
803280	51
Tub-to-Drain Hose	
800902	57
Tub-to-Pump Hose	
800317	59

U

USB Gateway Kit	
NK330	7, 9, 29

V

Valve Assembly	
60443P	97
Valve Kit	
685766P	41
801836P	39, 41
Valve-to-Dispenser Inlet Hose	
801464	39, 41, 45
Venting Instruction Label	
502791	117
Voltage Warning Label	
62104	117

W

Warning Label
 500049 49, 51, 117
 500314 49, 117
 512263 73
 803522 119

Warning/Caution Label
 500281 73

Washer
 M400014 115
 M400017 57
 M400080 55
 M400081 47, 51
 M403958 53
 02834 55
 03815 67
 20290 45
 26509 21, 25
 501307 105
 504082 87
 52549 55, 79, 87
 800457 47, 51, 53
 800464 53
 802254 45
 802293 37, 41
 803615 45

Water Hose
 F200116 45

Window Clip
 513958 71

Window Trim
 503981W 71
 512633 71
 513960W 71

Wire Assembly
 510527 93
 510528 93

Wire Clamp
 800811 47, 51

Wire Clamp Ring
 802283 37

Wire Clip
 504034 67
 687500 37, 41, 67

Wire Configuration Assembly
 512273P 127
 512275P 127

Wire Guard
 201595P 21

Wire Harness Assembly
 511303 107
 511753 125
 511757 125
 512285 129
 512415 129
 512422P 127
 512434P 129
 512643P 129
 512644 129, 131
 801261 19, 31
 801420 65
 801421 19, 65
 802013 65
 802913P 7

803314P 19

Wire Tie
 38663 67

Wireless Network Kit
 NK301 7, 9, 29

Wireless Transceiver Assembly
 202335 15

Wire, 12 Gauge
 45380 125, 127, 129, 131, 133, 135, 137

Wire, 18 Gauge
 45001 125, 127, 129, 131, 133, 135, 137

Wrench
 392P4 123

