

Operating instructions

# Rotary ironer



HM 5316

To avoid the risk of accidents or damage to the machine it is **essential** to read these instructions before installing, commissioning and using it for the first time.

en - GB

M.-Nr. 06 017 100



<b>Warning and safety instructions</b> .....	4
<b>Caring for the environment</b> .....	6
<b>Guide to the machine</b> .....	7
Description of the operating controls .....	8
Safety features .....	9
<b>Sorting the laundry</b> .....	10
Condition of linen .....	10
Preparing the laundry .....	10
<b>Operation</b> .....	11
<b>Coin-operated machines</b> .....	12
<b>Important notes</b> .....	13
<b>Cleaning and care</b> .....	14
Waxing the heater plate .....	14
Cleaning the heater plate .....	14
Roller cover .....	15
After sales service .....	15
<b>Explanation of symbols on the data plate</b> .....	16
<b>Notes for the installer</b> .....	17

## Warning and safety instructions

---

Read the operating instructions before using this machine for the first time. This way you will avoid the risk of accidents and damage to the machine.

### Correct usage

Only iron materials with this ironer which are suitable for machine ironing and which were washed in water.

### Technical and electrical safety

This machine must not be operated in the same room as dry cleaning machines which use solvents containing PERs or CFCs.

The ironer should only be used in a room with a low relative humidity level.

Any removable outer panels must be back in place, and all moving or electrical parts shielded before the machine is switched on.

Do not damage, remove or bypass the safety features, fixtures and control elements of the machine.

Do not use a machine with damaged controls or with damaged cables. These must be repaired before it is used again.

Repairs to the machine should only be undertaken by a suitably qualified service engineer to ensure safety. Unauthorised repairs could be dangerous.

Faulty components must only be exchanged for Miele original spare parts. Only when these parts are fitted can the safety standards of the machine be guaranteed.

The electrical safety of this appliance can only be guaranteed when continuity is complete between the appliance and an effective earthing system which complies with local and national regulations. It is most important that this basic safety requirement is regularly tested and where there is any doubt the on-site electrical system must be inspected by a qualified electrician. The manufacturer can not be held liable for the consequences of an inadequate earthing system.

The machine is only completely isolated from the electricity supply either when it is switched off at the wall isolator or when the mains fuse is disconnected at the distribution board.

### Use

This ironer must not be left unattended during use.

Never allow children to play on or near the rotary ironer, or to operate it themselves.

When the ironer is heated up with the heater plate in position, there is an acute danger of burning, if the edge of the heater plate is touched on the feed-out side.

When ironing double layered items do not reach in between the layers to straighten out the fabric. This is extremely dangerous as you may not be able to extract your hands on time. The same applies when ironing garments with pockets.

Always keep a fire extinguisher accessible in the rare event of textiles igniting.

### Accessories

Accessory parts may only be fitted when expressly approved by Miele. If other parts are used, guarantee, performance and product liability claims may be invalidated.

It is imperative that all local and national safety regulations concerning the use of this machine are observed.

### Notes on the use of this machine

- This ironer must be operated at all times in accordance with the legal requirements of the Health and Safety Acts.
- Please allow only trained persons, thoroughly familiar with the ironer, to work at the feed-in. Always conform to local and national regulations on minimum age requirements of operators.
- Persons with especially slim fingers should only work at the receiving side and not at the feed-in.
- When working with the ironer, always wear close fitting clothes. Wide sleeves, apron bands, ties or scarves could be taken in by the roller. Also remove rings or bracelets before starting to work.
- Smooth out folds as far away as possible from the feed-in on the feed-in table. Feed pillow cases and duvet covers into the ironer with the open part first. Do not take hold of the corners from the inside. Do not take hold of undershirt and apron straps from the inside.
- Always check the proper setting of safety devices. This way you will avoid the danger of burns, squashed fingers and even loss of hands.
- Check daily whether the safety devices function properly.
- Make sure that the safety bars cannot be bridged.
- Before switching to reverse make sure that nobody is endangered.
- Lubricate machine parts only when the machine is shut off.

All personnel working with this machine must be fully trained in all aspects of its use and safety.

**Keep these instructions in a safe and accessible place.**

## Caring for the environment

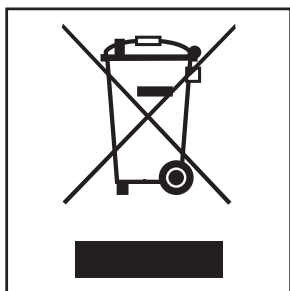
---

### Disposal of the packing material

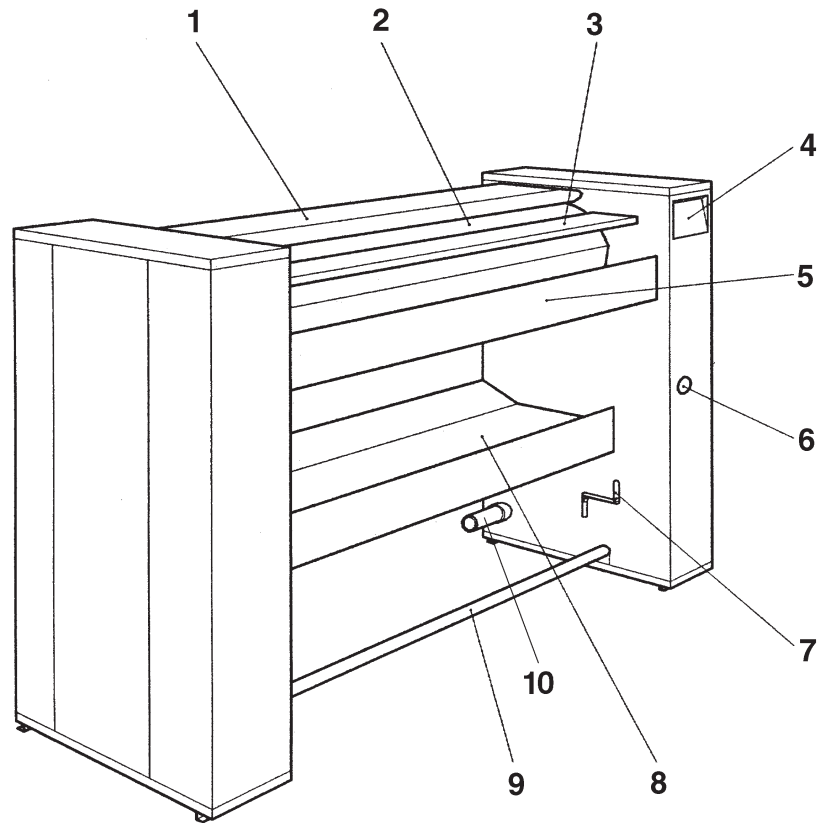
The transport and protective packing has been selected from materials which are environmentally friendly for disposal and can normally be recycled. Packaging e.g. cling film, polystyrene and plastic wrappings must be kept out of the reach of babies and young children. Danger of suffocation. Rather than just throwing these materials away, please ensure that they are recycled.

### Disposal of your old machine

Electrical and electronic machines often contain materials which, if handled or disposed of incorrectly, could be potentially hazardous to human health and to the environment. They are, however, essential for the correct functioning of your machine. Please do not therefore dispose of it with your household waste.

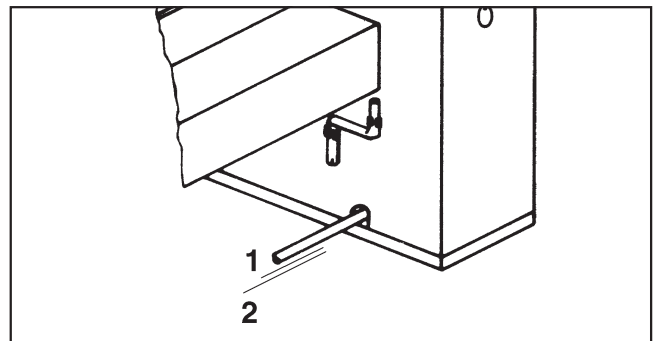


Please dispose of it at your local community waste collection/recycling centre, and ensure that it presents no danger to children while being stored for disposal.



- 1 Heater plate with finger guard
- 2 Roller
- 3 Feed-in table
- 4 Operating controls
- 5 Laundry box
- 6 Hinged cover plate
- 7 Emergency crank handle
- 8 Ironing table
- 10 Vent connector

9 Foot control



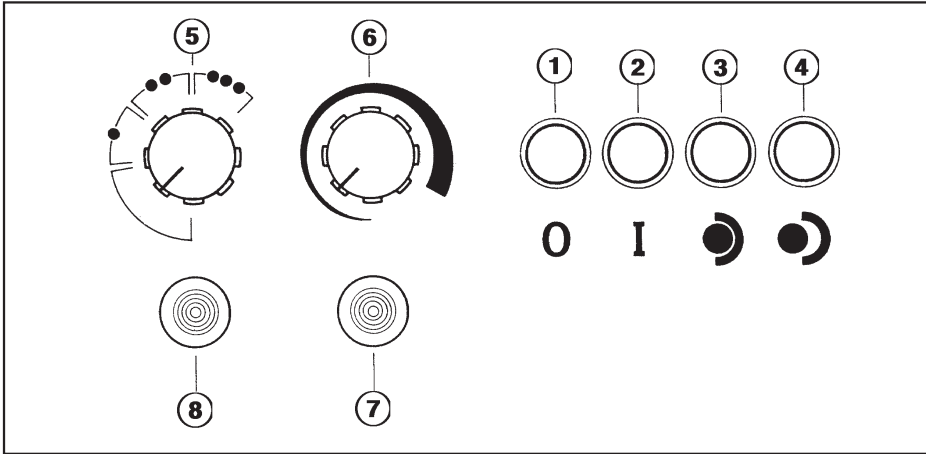
**1st** foot control position:  
Press setting, with stationary roller.

**2nd** foot control position and "⊙" button pressed in:  
The heater plate is engaged, and the roller rotates.

**2nd** foot control position and "⊙" button pressed in:  
The heater plate is disengaged, and the roller rotates in the other direction. **This setting is only to be used to remove the ironer cloth and other padding.**

# Guide to the machine

## Description of the operating controls



### ① "0" button

Off:

When this button is pressed in, the ironer is switched off.

### ② "I" button

On:

When this button is pressed in, the ironer is switched on. The roller rotates.

### ③ "☞" button

When this button is pressed in, the heater plate is engaged.

### ④ "☜" button

When this button is pressed in, the heater plate is disengaged.

### ⑤ Temperature selector

Turn the temperature selector clockwise to increase the temperature of the ironer, and anti-clockwise to decrease the temperature.

- - Low temperature
- - Medium temperature
- - High temperature

### ⑥ Roller speed selector

The roller speed is increased by turning the speed selector clockwise and decreased by turning it anti-clockwise.

### ⑦ "In operation" indicator light

This lights up when the "I" button is pressed in.

Coin-operated machines:

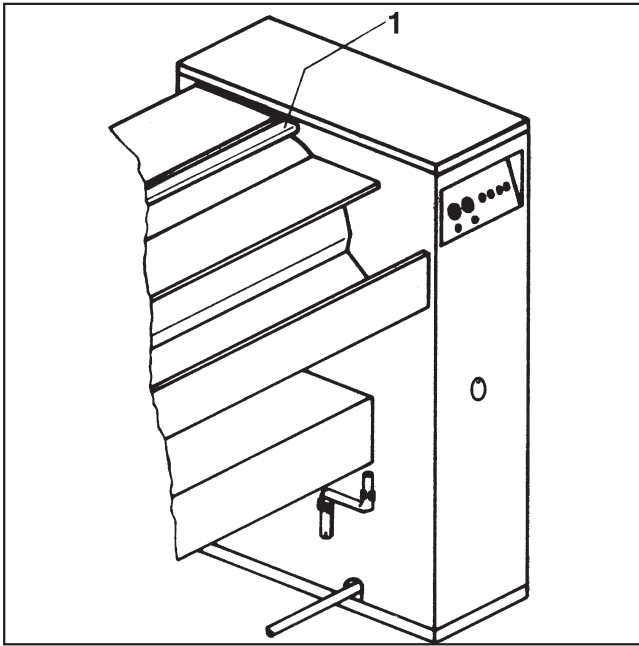
It lights up when the "I" button is pressed in, and a coin or token is inserted.

### ⑧ "Heater" indicator light

This remains lit up so long as the heater plate is hot.




## Safety features



### Finger guard

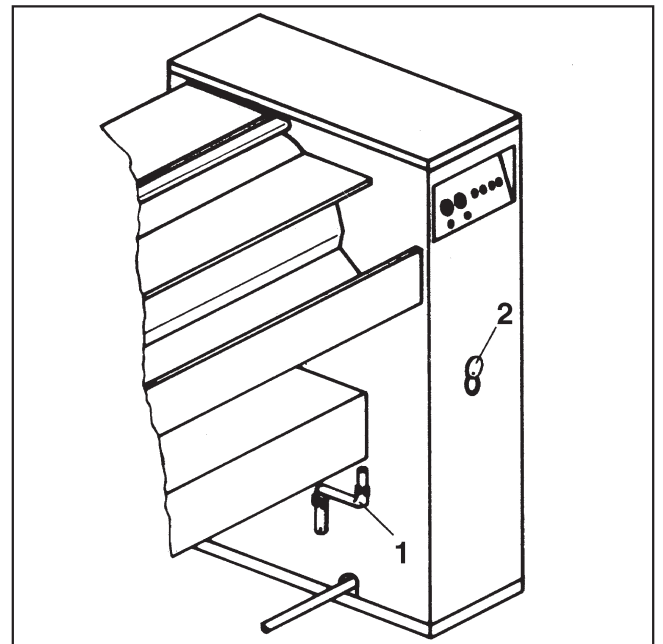
If fingers are caught between the laundry feed-in table and the finger guard **1**, the roller will stop turning immediately and the heater plate will disengage.

To switch the ironer on again, press the "I" and "O" buttons.

 The finger guard is a safety feature which must be checked daily for proper functioning before the machine is used.


## If there is a power cut whilst ironing

To protect laundry and the ironer cloth in the event of a power cut, the heater plate needs to be disengaged from the roller using the crank handle.



- Remove emergency crank handle **1** from its holder.
- Open cover plate **2**.
- Insert crank handle in the opening.
- Turn clockwise to disengage the heater plate from the roller.

If the heater plate is disengaged too far (so that resistance is felt), turn the crank handle anti-clockwise by 1 or 2 turns.

 The emergency crank handle must be removed from the opening and returned to its holder after use.

To switch the ironer on again after power is restored, press the "I" button.

# Sorting the laundry

---

## Condition of linen

For a good finish the ideal residual moisture level needs to be about 25 %.

Rinsing the laundry using hot water in the final rinse helps to reduce the residual moisture level and the residual heat in the laundry will help keep processing time down, thus saving energy.

Laundry with a synthetic fibre content greater than 50% (e.g. Dralon) must not be ironed as the high temperatures would melt the fabric. Laundry with a lower synthetic content can be ironed at a low temperature.

Metal and plastic buckles and very bulky buttons should not be passed through the ironer.

### Warning

Before using the ironer you should clean the heater plate by running a cloth through the entire width of the roller.

## Preparing the laundry

Before starting to iron, laundry should be sorted according to size and type of fabric.

First iron articles made from:

perlon, nylon etc. ● - low temperature

Then iron

Woollens and silks ●● - medium temperature

Then iron

Cottons and linens ●●● - high temperature.

If you want to switch back to ironing at a lower temperature, reduce the temperature setting and then wait until the "Temperature" indicator light comes on again.

Starched laundry should be ironed last to prevent any starch residues on the heater plate from affecting other items of laundry.

Items with buttons should be passed through the ironer with the buttons facing into the roller padding. If they face upwards there is a danger of them being damaged or torn off when the item is passed through the ironer.

A cloth should be placed over zips, metal buttons and hooks to protect the heater plate during ironing.


- Switch on the on-site mains switch.
- Switch the machine on by pressing the "On" I button.
- Press the "☉" button.

The heater plate engages when it reaches a temperature of approx. 60°C.

- Select the temperature according to the type of fabric.

Material	Symbol	Temperature levels
Nylon / artificial silk	●	Low temperature
Silk / wool	●●	Medium temperature
Cottons / linen	●●●	High temperature

- Use the speed selector to select the speed of the roller, depending on the degree of dampness and the type of laundry to be ironed.
- Check that the finger guard is functioning properly.

 The finger guard is a safety feature which must be checked daily for proper functioning before the machine is used.

When the "Heating" light goes out in the display, the ironer is ready for use.

- Feed items across the feed-in table into the ironer.
- Smooth items from the middle outwards towards the edges.
- Do not restrict ironing of smaller articles to any one part of the roller. Make use of the whole roller width.
- If items need to be pressed, press the foot control down to the 1st foot control position.

The roller will stop. To stop pressing release the foot control.

- To feed thicker items into the ironer, press the foot control down to the 2nd foot control position.

The heater plate is disengaged.

To protect the motor and the roller cover:

- In pauses between ironing, disengage the heater plate and reduce the temperature.


The ironed laundry can be very hot when it comes off the ironer. Wear gloves to protect your hands.

If you want to switch back to ironing at a lower temperature, reduce the temperature setting and then wait until the "Temperature" indicator light comes on again.

After ironing:

Switch off the heater and let the roller run for approx. 5 minutes to let the roller covering dry out.

- Press the "☉" button to disengage the roller.
- Switch off the ironer by pressing the "0" button.
- Switch off the mains supply at the on-site mains switch.

 Allow the ironed laundry to cool down before packing or stacking it. Hot laundry could self-ignite and cause a fire.

## Coin-operated machines

---

Read the operating instructions supplied with the coin box.

- Insert a coin or token.
- Switch the machine on by pressing the "On" **I** button.
- Press the "⊙".
- Select the temperature according to the type of fabric.
- Use the speed selector to select the speed of the roller,

When the "Heating" light goes out in the display, the ironer is ready for use.

- If items need to be pressed, press the foot control down to the 1st foot control position.

After the time has expired, the heater plate will disengage and the roller will stop.

### Finger guard

If fingers are caught between the laundry feed-in table and the finger guard, the roller will stop turning immediately and the heater plate will disengage.

To switch the ironer on again, press the "**I**" and "⊙" buttons.

### **Protecting the roller motor and cover**

In pauses between ironing and when you have finished ironing, disengage the heater plate. This helps prolong the life of the roller cover and protects the motor.

It is very important to avoid running the ironer without passing laundry through it.

Do not restrict ironing smaller articles to any one part of the roller; make use of the whole roller width. This way an equal amount of heat is obtained from the heater plate and the roller padding is protected from uneven use.

### **Motor protection**

If the motor winding is heated excessively due to overload, the motor is switched off automatically by a winding thermostat and the heater plate is disengaged.

Once the ironer has cooled down, it can be restarted by pressing the "I" button.

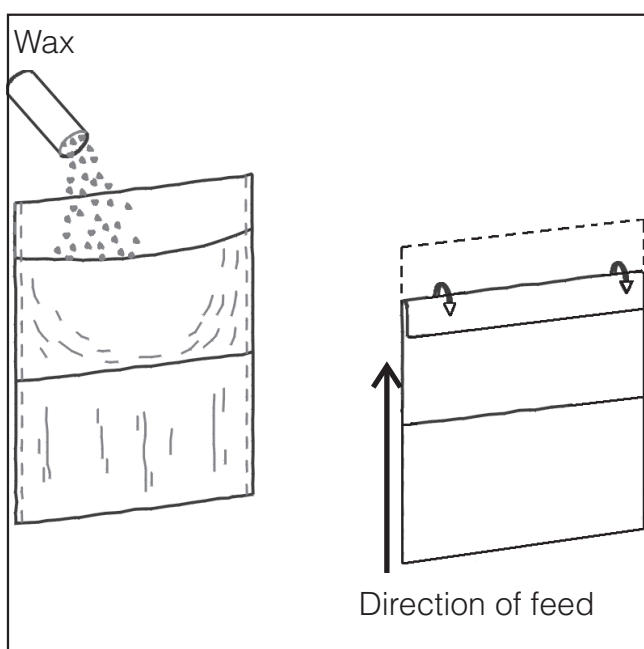
## Cleaning and care

Regular cleaning and maintenance of the heater plate is essential for the protection of the motor and the roller cover. This also helps to prolong the life of the machine.

Important: please also read the notes on ironing and on cleaning and care given in the separate Ironing Handbook.

### Waxing the heater plate

To maintain the smooth surface of the heater plate it should be waxed on a regular basis with an ironer waxing cloth.



- To apply wax with the wax cloth, place some granular wax in the pouch of the wax cloth, close the pouch and feed the cloth through the ironer at 180 °C with the non-rubberised side facing the heater plate. Use the wax sparingly to avoid the roller cover becoming too smooth.

**Never** feed the wax cloth into the rotary ironer with the rubberised side facing the heater plate.

- Feed the cloth into the machine repeatedly, moving along the whole width of the roller from left to right.

When waxing or cleaning the heater plate, select temperature setting ●●● and the slowest roller speed.

Waxing cloths and wax should only be ordered from the Miele Spare Parts Department.

### Cleaning the heater plate

The aluminium heater plate must only be cleaned using cleaning agents approved by the manufacturer.

Because limescale and starch deposits can stick to the heater plate, it should to be cleaned 2-3 times a week, depending on the degree of soiling.

Light soiling can be removed using Cleanpaste on a cloth and ironing it at the slowest speed on the ●●● temperature setting.

More stubborn deposits can be removed using a cleaning cloth together with a cleaning mat at the slowest speed and on the **lowest** temperature setting.

The heater plate should always be waxed after it has been cleaned.

⚠ Do not use abrasive cleaning agents or abrasive cleaning cloths.

See the Miele Ironing Handbook for more details.

### Discolouration of the roller cover

Some discolouration of the roller cover from light to dark brown is normal.

To avoid the cover turning black:

- Always use the complete width of the roller.
- Space out smaller items, and do not always iron them in the same place.
- In pauses between ironing, disengage the heater plate and reduce the temperature.

### Washing the roller cover

If possible, do not wash the roller cover if it is only a little discoloured. Slight yellowing is normal. If the cover is heavily soiled, wash it using a Cottons 95 °C programme and replace it while still damp.

### Pick-off bands

The tips of the pick-off bands need to be cleaned occasionally to remove the build-up of residues such as starch. To do this, remove the pick-off bands and wash them in hot water. Regular cleaning ensures smooth operation.

### Roller cover

Before removing the roller cover (for cleaning or replacement), the machine must be switched off. Allow the heater plate to cool down, and remove the feed-in table.

Remove the pick-off bands from the roller one at a time.

Switch on the ironer by pressing the "I" button, and disengage the heater plate by pressing the "⊙" button.

Depress the foot control to the 2nd foot control position, and remove the roller cover whilst the roller is rotating backwards.

Replacing the roller cover  
Make sure the ironer is switched off and the heater plate disengaged.

Place the roller cover parallel to the roller.

Switch on the ironer by pressing the "I" button, engage the heater plate by pressing the "⊙" button, and the cover will be drawn in.

When removing and replacing the roller cover, bits of steel wool will drop onto the ironing table. These should be removed immediately.

If a gap develops between the underside of the heater plate and the roller (where laundry emerges after ironing), the cover will need to be wound on again.

Renewal of the steel wool roller padding should only be carried out by a Miele authorised service engineer.

When the roller has been fitted with a new or replacement cover/padding, the total circumference must not be less than 780 mm or exceed 790 mm.

By keeping within these measurements, the new cover/padding will cover the whole length of the roller evenly.

When replacing the cover/padding, check whether any moving components need lubricating, and whether the carbon brushes in the motor need replacing.

This should only be carried out by a Miele service technician.

### After sales service

In the case of faults, please contact the Miele Service Department. The Service Department will need to know the model and serial number of your machine, both of which are given on the data plate.

**Only use spare parts supplied by the manufacturer** (the model and serial number of your machine will be required).

# Explanation of symbols on the data plate

1	Typ		14	15	16	20
2	Fabr.-Nr.		IBN			
	Art.-Nr.					
	M.-Nr.				Total	Total
3						
4						17
5						
6	$\emptyset$					18
8	$\emptyset$ $\leftarrow$ $\rightarrow$					
9	$\omega$					
10	Vol. /G	/				21
11	$E_{kin}$					
12	0 $\rightarrow$ $\rightarrow$ 1/min					
	$\rightarrow$ $\rightarrow$ 0 1/min					
			19		22	

- 1 Machine type
- 2 Machine number/year of manufacture\*
- 3 Voltage/Frequency
- 4 Control fusing
- 5 Drive motor
- 6 Plate diameter\*/Plate quantity\*
- 7 Drum data
- 8 Drum diameter\*/drum depth\*
- 9 Spin speed\*
- 10 Drum volume\*/Laundry dry weight\*
- 11 Kinetic energy\*
- 12 Ex. time to top speed\*
- 13 Braking time\*
- 14 Heating
- 15 Electric heating
- 16 Fusing (on site)
- 17 Steam heating indirect\*
- 18 Steam heating direct\*
- 19 Gas heating\*
- 20 Commissioning date
- 21 Water registration DVGW-test cert (Water)\*
- 22 Field for CE test symbol

## Noise emission

Registered on the "A" scale

65.3

(measured in Germany in accordance with DIN (IEC) 45 635, machine noise regulations 3. GSGV p1. 1.a)

\*) does not apply to this machine.



The rotary ironer must be commissioned by a Miele service technician or Miele authorised Service Dealer.

This machine must not be operated in the same room as dry cleaning machines which use solvents containing PERs or CFCs. On combustion, the escaping vapours form hydrochloric acid which can have dangerous consequences.

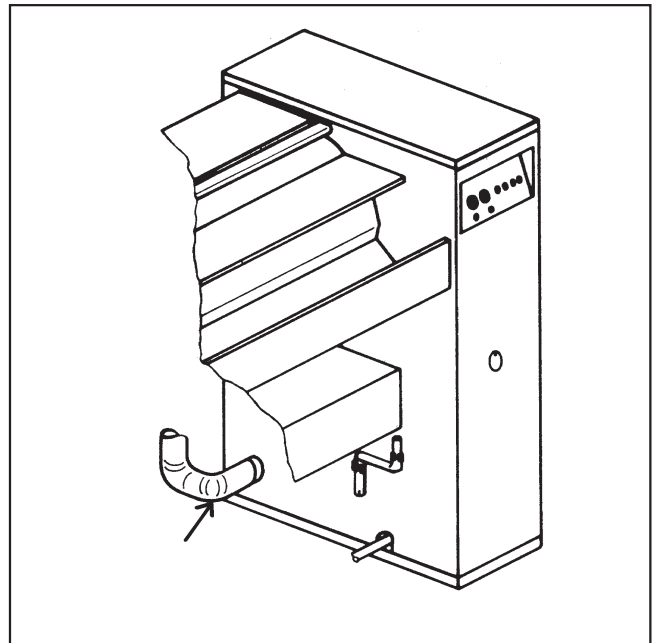
Neither a plinth base nor anchorage is necessary.

The machine should be installed to give maximum light to the feed-in table.

The machine can be aligned using the screw feet (under each of the sides), so that the sides are aligned with one another. Check that the machine is level at the front and back using a spirit level.

The exhaust ducting to be installed on site must not be directed into any chimney which is used by gas, solid fuel or oil fired appliances. nor should it be fed into the exhaust ducting for a tumble dryer. The ducting for the damp exhaust should be as short as possible.

To ensure optimum flow, the ducting should be laid with as few bends as possible and all connections and joins should be airtight.



To prevent the build-up of condensation in an upward sloping exhaust ducting, a 3-5 mm  $\varnothing$  condensate trap should be fitted at the lowest point.

If the exhaust is ducted into the outside air, the end of the duct should be protected against bad weather conditions. An exhaust system ducted into the open air must be situated in such a way that it does not cause a nuisance.

## Notes for the installer

---

### Electrical connection

The electrical components of this machine comply with IEC 335-1 and IEC 335-2-44.

All electrical work must be carried out by a suitably qualified and competent person in strict accordance with current local and national safety regulations (BS 7671 in the UK).

WARNING


THIS MACHINE MUST BE EARTHED

Connection to the electrical supply must be carried out in accordance with the data plate, wiring diagram, installation diagram and, where applicable, the conversion instructions.

The wiring diagram can be found under the cover plate of the right hand side of the machine.

The machine is supplied 3N~ ex works.

If it is converted to another voltage, the data plate should be marked with a ⊗.

 The heater plate is disengaged as soon as current is supplied.



**United Kingdom:**

Miele Co. Ltd.

Fairacres, Marcham Road, Abingdon, Oxon, OX14 1TW

Tel.: (01235) 554455 - Fax.: (01235) 554477

Service Office Tel.: (08707) 554466

E-mail: [info@miele.co.uk](mailto:info@miele.co.uk)

Internet: [www.miele.co.uk](http://www.miele.co.uk)